



GENERIC



XOR2 50

DESIGN  AUSTRIA

Reserve dele



SCANDINAVIAN MACHINERY IMPORT ApS

Holtvej 8-10, Høruphav, 6470 Sydals

Telefon: +45 73 15 11 00

Fax: +45 73 15 11 01

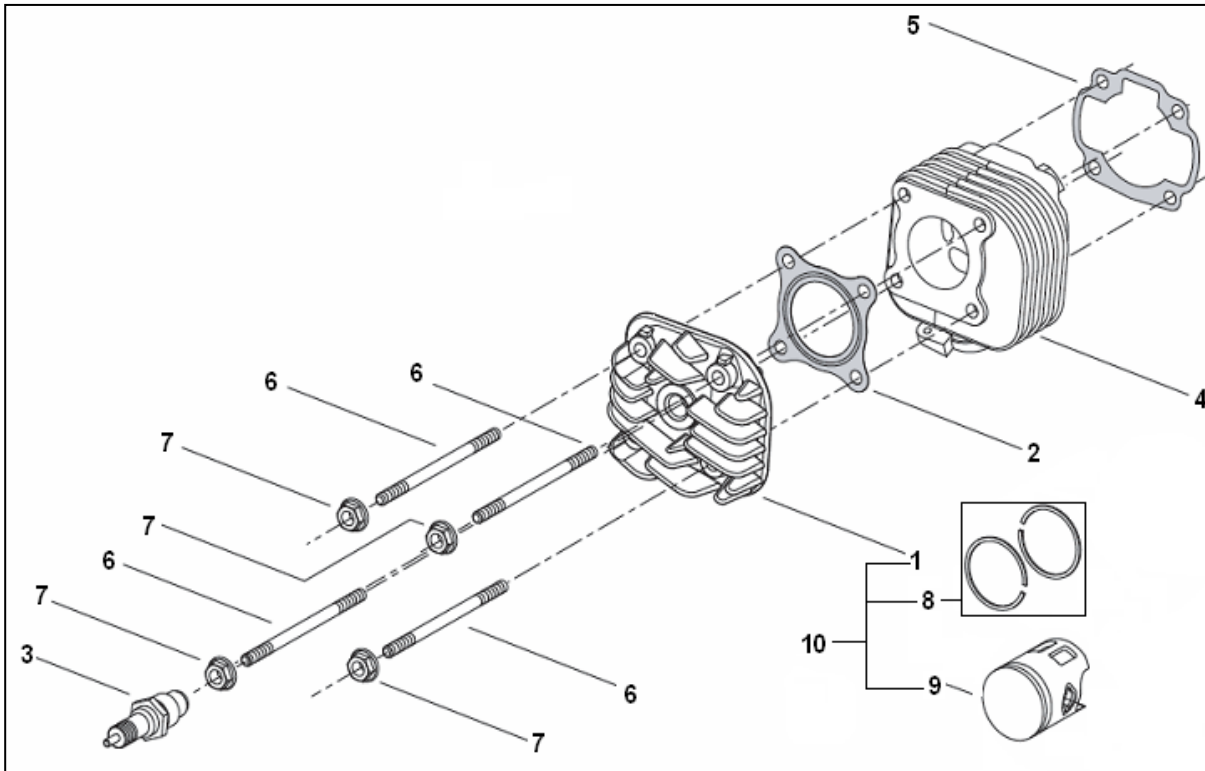
info@scanmi.dk · www.scanmi.dk

CVR: 27 73 31 07

www.genericmotor.dk

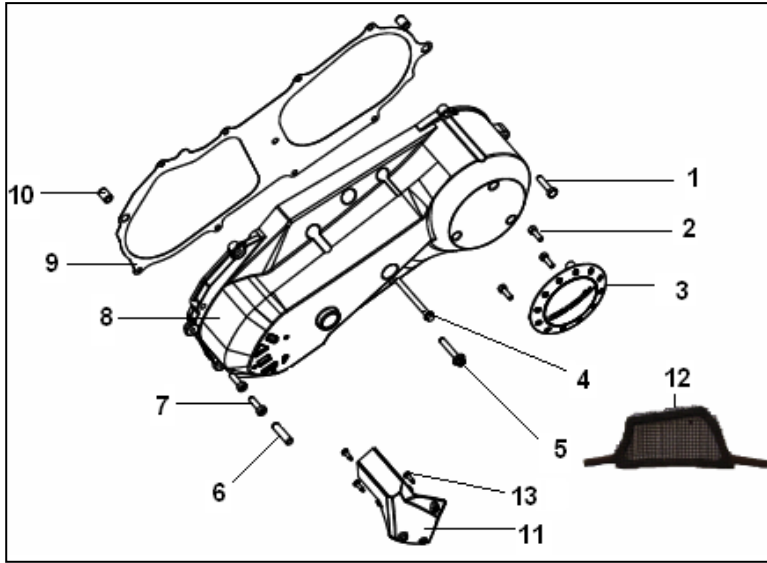
Juli 2011

XOR II 2010 ENGINE PARTS



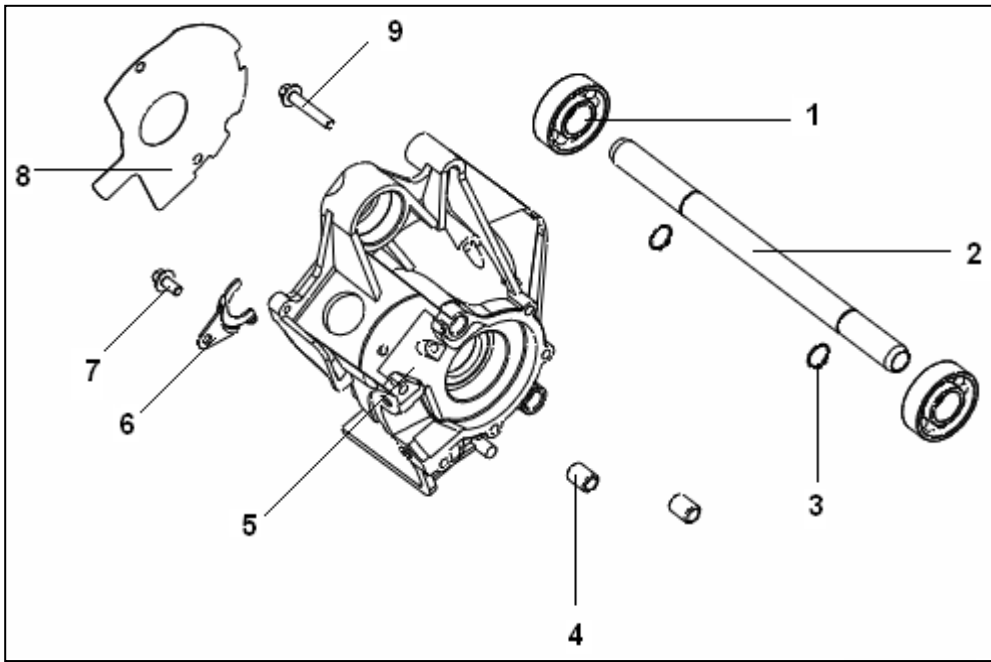
E01 CYLINDER HEAD ASSY

NO.	PART NO.	DESCRIPTION	QTY
1	201200.066000	HEAD, CYLINDER	1
2	30507B01F000	GASKET, CYLINDER HEAD	1
3	201204.015000	SPARK PLUG(NGK BR7ES)	1
4	204200.041000	CYLINDER	1
5	27102B01F000	GASKET, CYLINDER	1
6	26107B01F911	STUD BOLT M7X109	4
7	26127G02F910	NUT M7	4
8	208114.001000	PISTON RING(set)	1 set(2 pcs)
9	15100B09F00C	PISTION COMP	1
10	204102.001000	CYLINDER&PISTION ASS'Y	1



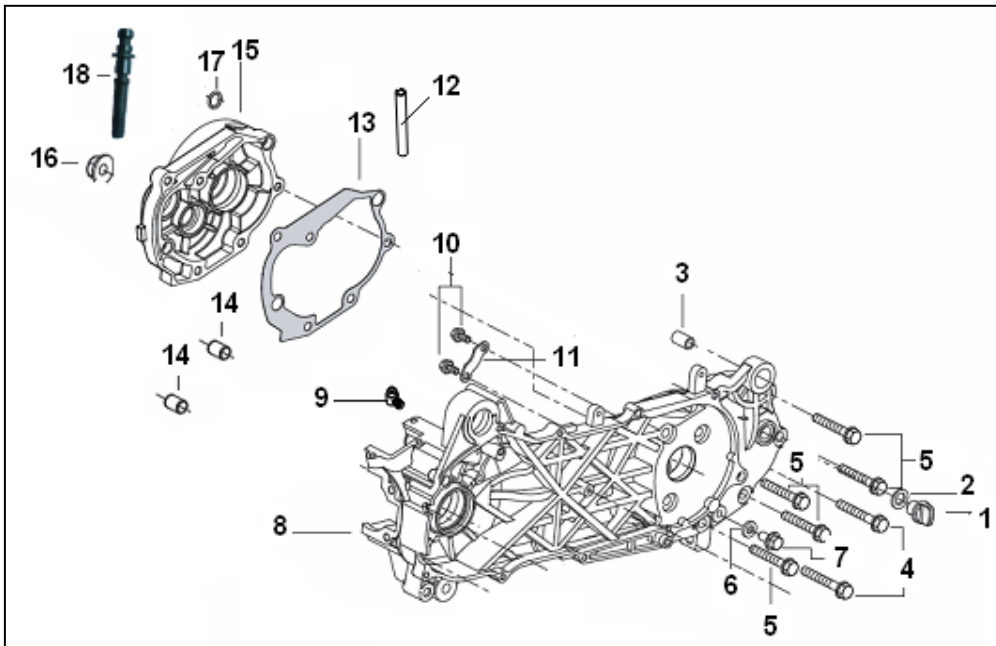
E02 CRANKCASE ASSY PART ONE

NO.	PART NO.	DESCRIPTION	QTY
1	B01070602564	PAN HEAD BOLT M6X25	8
2	301270501262	BOLT M5X12	3
3	207202.009000	LITTLE COVER	1
4	B01070603564	PAN HEAD BOLT M6X35	2
5	B01070606564	PAN HEAD BOLT M6X65	1
6	B02060601264	PAN HEAD SCREW M6X12	2
7	26128G02F000	IDLE GEAR	1
8	207202.062000	L CRANKCASE COVER	1
9	14109B09F000	GASKET,L CRANKCASE	1
10	26208G02F000	DOWEL PIN ϕ 10X14	2
11	207219.844000	INTAKE COVER	1
12	14150B09F000	□□□□□	1
14	3051235013F5	SELF-TAPED SCREW ST3.5X13	3



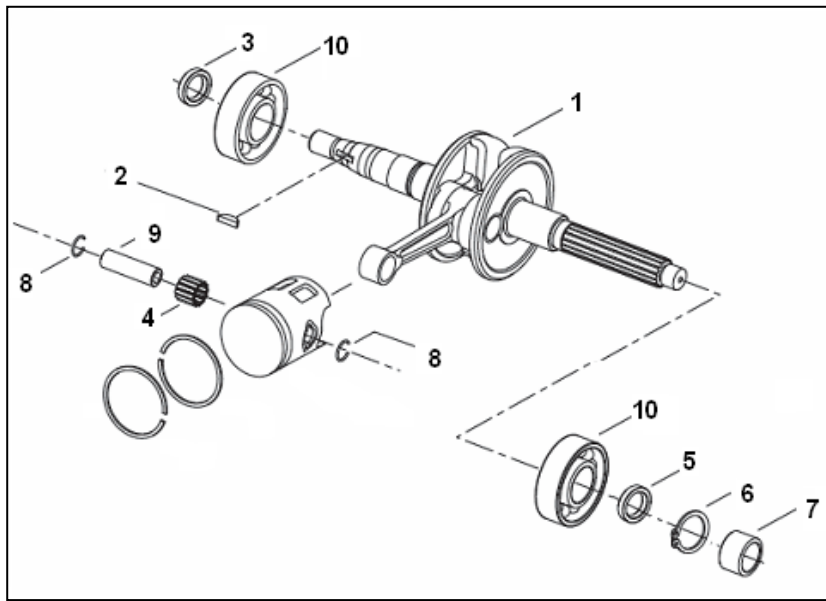
E03 CRANKCASE ASSY PART TWO

NO.	PART NO.	DESCRIPTION	QTY
1	B12016600300	BEARING 6003	2
2	26109B09F000	AXLE,ENGINEER MOUNT	1
3	B08010001700	CIRCLIP 17	2
4	26123G02F000	DOWEL PIN ϕ 12X16	2
5	26211B09F001	CRANKCASE,RH	1
6	26214G02F910	OIL SEAL HOLDER	1
7	B01070601263	PAN HEAD SCREW M6X12	1
8	26216G02F000	GASKET	1
9	B01070603564	PAN HEAD SCREW M6X35	6



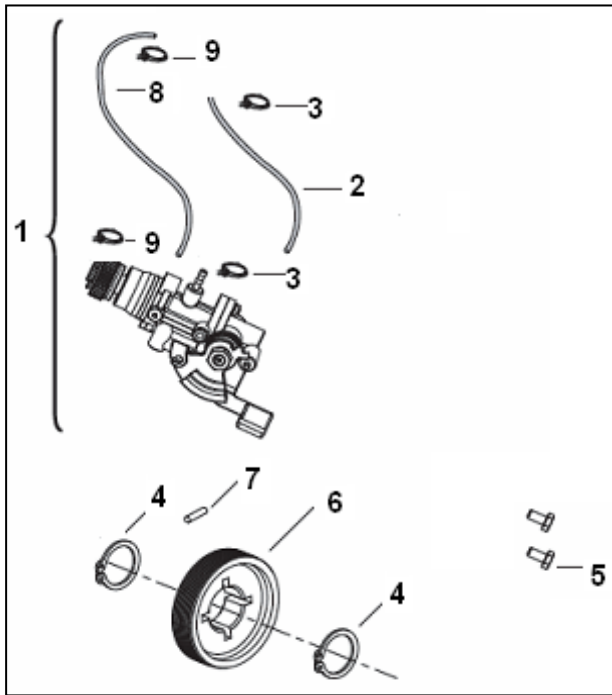
E04 CRANKCASE ASSY PART THREE

NO.	PART NO.	DESCRIPTION	QTY
1	26202G02F000	OIL PLUG	1
2	26102G02F000	O-RING	1
3	26108G02F000	GROMMET	1
4	B01070805563	BOLT M8X55	2
5	B01070805063	BOLT M8X50	5
6	18105H03F000	PLATE WASHER ϕ 8	1
7	26121G02F000	FLANGE BOLT M8X16	1
8	26111B09F001	CRANKCASE,LH	1
9	26126G02F000	BREATHER PLUG	1
10	B02000601262	PAN HEAD SCREW M6X12	2
11	26214B09F000	BEARING HOLDER	1
12	26105G02F000	HOSE	1
13	18100B09F000	GEAR CASE GASKET	1
14	26123G02F000	DOWEL PIN ϕ 12X16	2
15	18101B09F000	GEAR CASE	1
16	B04070812553	NUT M8	1
17	26143G02F000	O-RING	1
18	26142G02F000	BRAKE SHOE ANCHOR PIN ASSY	1



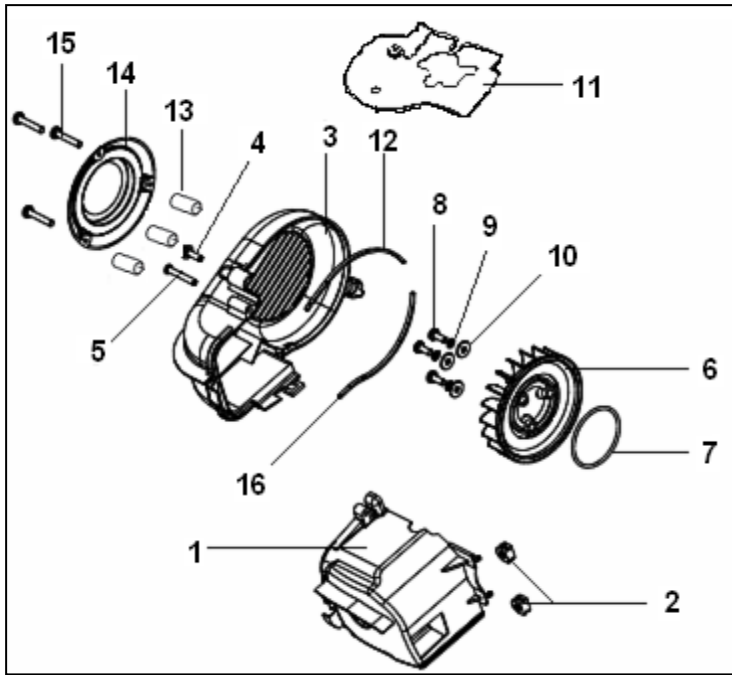
E05 PISTON CRANKSHAFT CONNECTING ROD ASSY

NO.	PART NO.	DESCRIPTION	QTY
1	15200B01F000	CRANKSHAFT , ASS'Y	1
2	15101B01F000	WOODRUFF KEY 3X5X13	1
3	26215G02F000	OIL SEAL 20X30X6	1
4	15110B16F000	NEEDLE BEARING	1
5	15213G02F000	OIL SEAL 20X42X8	1
6	17308G02F000	CIRCLIP	1
7	15214G02F000	BUSHING	1
8	15111G02F000	CIRCLIP	2
9	15105B16F000	PISTON PIN	1
10	B12016620453	BEARING	2



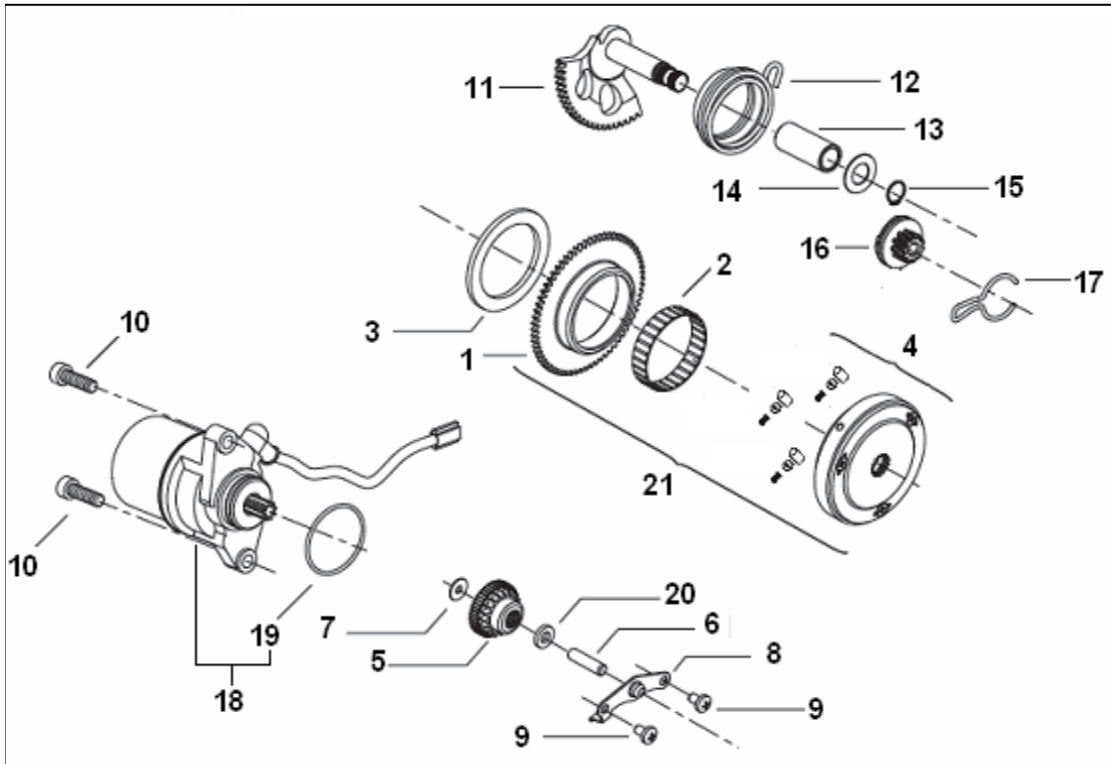
E06 OIL PUMP ASSY

NO.	PART NO.	DESCRIPTION	QTY
1	19000B09F000	OIL PUMP ASSY	1
2	19216B09F000	HOSE	1
3	19217G02F00A	HOSE CLIP	2
4	15106G02F910	CIRCLIP	2
5	B02000501463	SCREW	2
6	15211G02F000	PUMP DRIVE GEAR	1
7	B090103014C0	PIN	1
8	19212B09F000	HOSE	1
9	19213G02F00A	HOSE CLIP	2



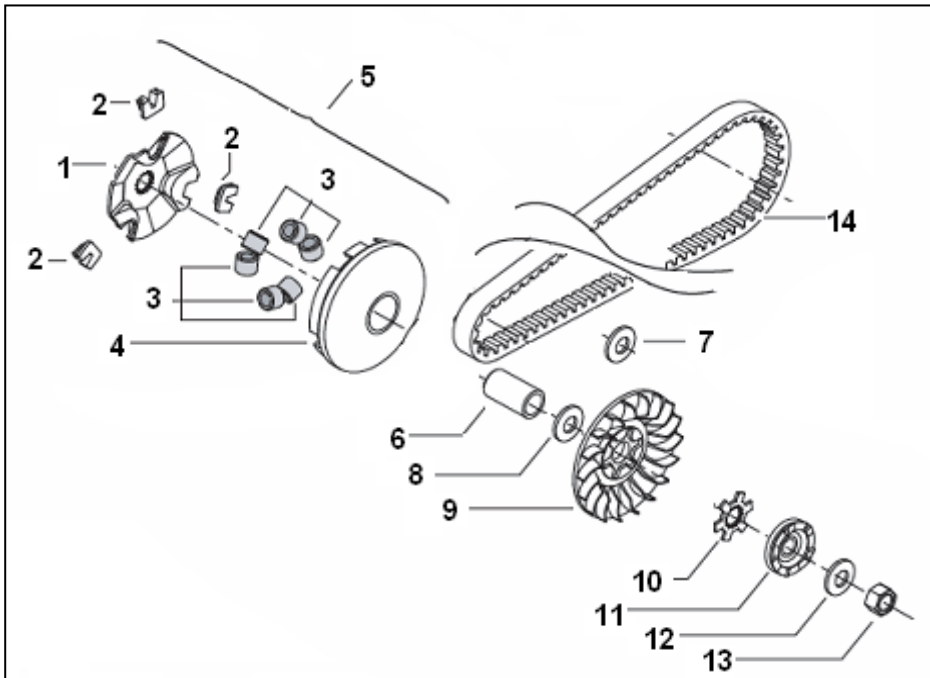
E07 AIR SHROUD, FAN

NO.	PART NO.	DESCRIPTION	QTY
1	20301B01F000	AIR SHROUD CYLINDER	1
2	20303G02F000	GROMMET	2
3	20201B01F000	AIR SHROUD FAN	1
4	B01070602064	BOLT M6×20	2
5	B05035504000	SCREW ST5.5×40-F	1
6	20401B01F000	FAN ASS'Y	1
7	20402G02F000	RUBBER RING φ70X3.1	1
8	B02000601663	SCREW M6×16	3
9	B07000000600	WASHER 6	3
10	B07030000600	WASHER 6	3
11	20102G02F000	PLATE	1
12	20206G02F000	SEAL, COOLING	1
13	20208B09F000	COLLAR	3
14	222304.002000	COVER,AIR SHROUD	1
15	B02000403523	SCREW M4X35	3
16	20208G02F000	DAMPER,AIR SHROUD	1



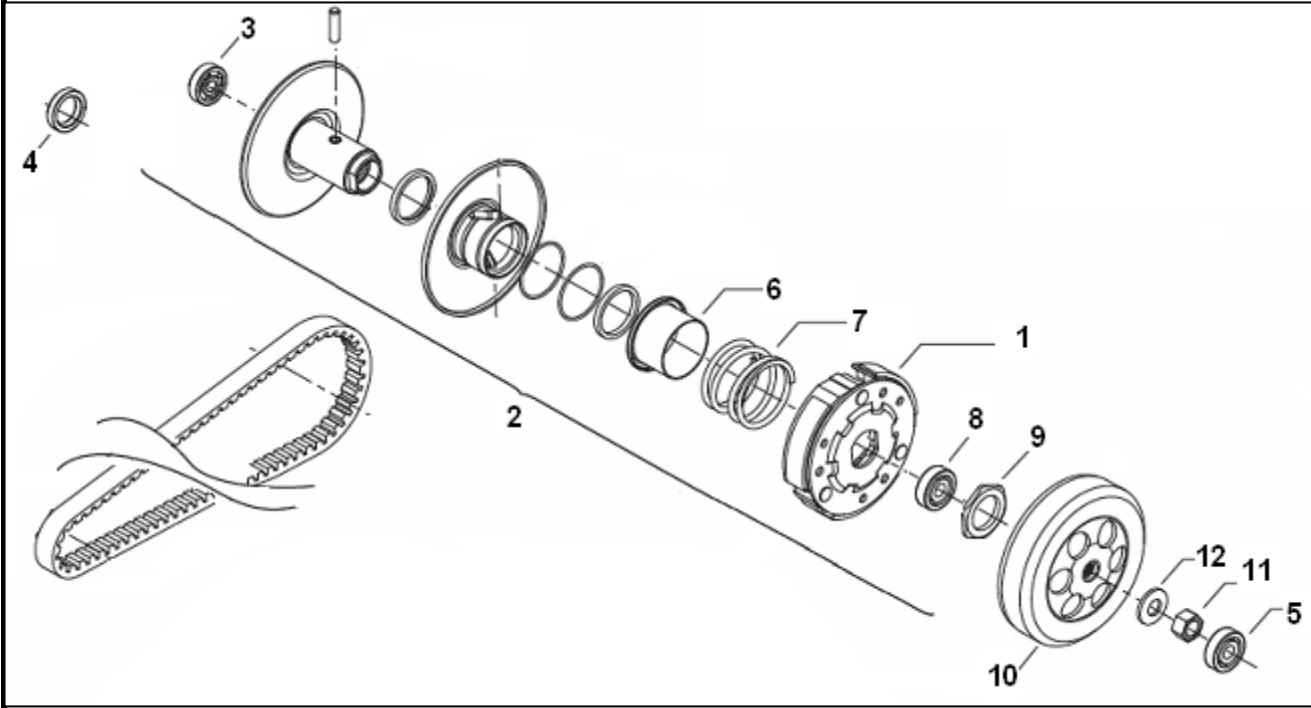
E08 KICK STARTER ASSY

NO.	PART NO.	DESCRIPTION	QTY
1	34120G02F000	START GEAR ASS'Y	1
2	34121G02F000	NEEDLE BEARING	1
3	34123G02F000	THRUST WASHER	1
4	34400G02F000	START CLUTCH ASS'Y	1
5	34126G02F000	IDLE GEAR	1
6	26128G02F000	IDLE GEAR SHAFT	1
7	34122G02F000	PLATE WASHER φ8	1
8	34125G02F000	IDLE GEAR HOLDER	1
9	B02000601063	SCREW M6×10	2
10	B02050602064	SCREW M6×20	2
11	17400G02F000	SHAFT, KICK STARTER	1
12	17407G02F000	SPRING	1
13	17413G02F000	BUSHING	1
14	17422G02F000	WASHER ,KICK STARTER	1
15	B08010001500	CIRCLIP φ15	1
16	17415G02F000	KICK PINION ASS'Y	1
17	17418G02F930	CLIP	1
18	34200G02F000	STARTING MOTOR ASS'Y	1
19	B190102120B0	O-RING φ21.2X2.65	1
20	34130G02F000	PLATE WASHER φ8	1
21	217106.001000	START CLUTCH GEAR ASS'Y	1



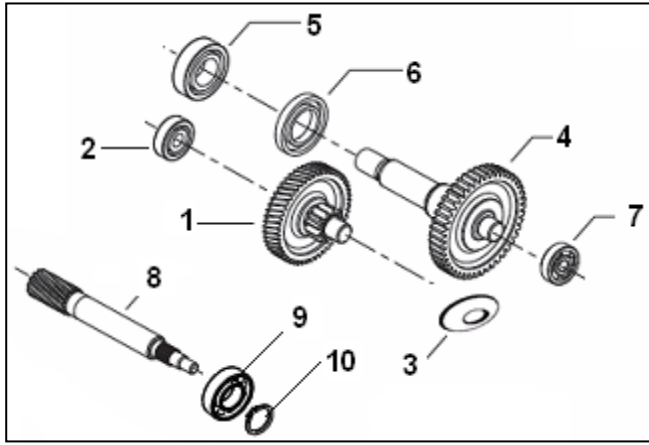
E09 CLUTCH SYSTEM ASSY PART ONE

NO.	PART NO.	DESCRIPTION	QTY
1	24103G02F000	PLATE, MOVABLE DRIVE	1
2	24104G02F000	DAMPER SET	1 (3 PIECES)
3	213119.005000	ROLLER SET 6.3g	1 (6 PIECES)
	213119.002000	ROLLER SET 5.8g	1 (6 PIECES)
4	24101B09F000	FACE, MOVABLE DRIVE	1
5	213101.006000	Moveable Drive Face Assy	1
6	24105G02F000	COLLER	1
7	213207.010000	WASHER 3.2 45km/h	1
8	24106B01F000	WASHER	1
9	24108B09F000	FACE, FIXED DRIVE	1
10	24109G02F000	PLATE, WOODRUFFKEY	1
11	24110G02F000	STARTING DISC	1
12	15112G02F010	WASHER, SPRING	1
13	B04031212553	NUT M12X1.25	1
14	24107G02F000	V-BELT , DRIVE	1



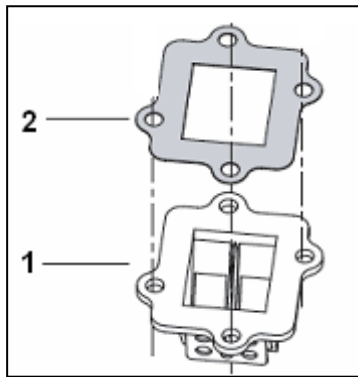
E10 CLUTCH SYSTEM ASSY PART TWO

NO.	PART NO.	DESCRIPTION	QTY
1	24200B01F000	DRIVEN PULLEY and CLUTCH ASSY	1
2	24301B01F000	CLUTCH ASSY, SHOE	1
3	24247G02F000	NEEDLE BEARING	1
4	24203B09F000	OIL SEAL $\phi 17 \times \phi 35 \times 7$	1
5	24209G02F000	BEARING 638Z	1
6	24309G02F930	SEAT , SPRING	1
7	24308G02F000	SPRING	1
8	24245G02F000	BALL BEARING	1
9	24303G02F000	NUT M28X1	1
10	24700G02F000	HOUSING	1
11	24305G02F940	NUT M10X1	1
12	24243G02F000	O-RING $\phi 6.7 \times 3$	1
12	200492080000	RING $\phi 5.5 \times 1.5$	2



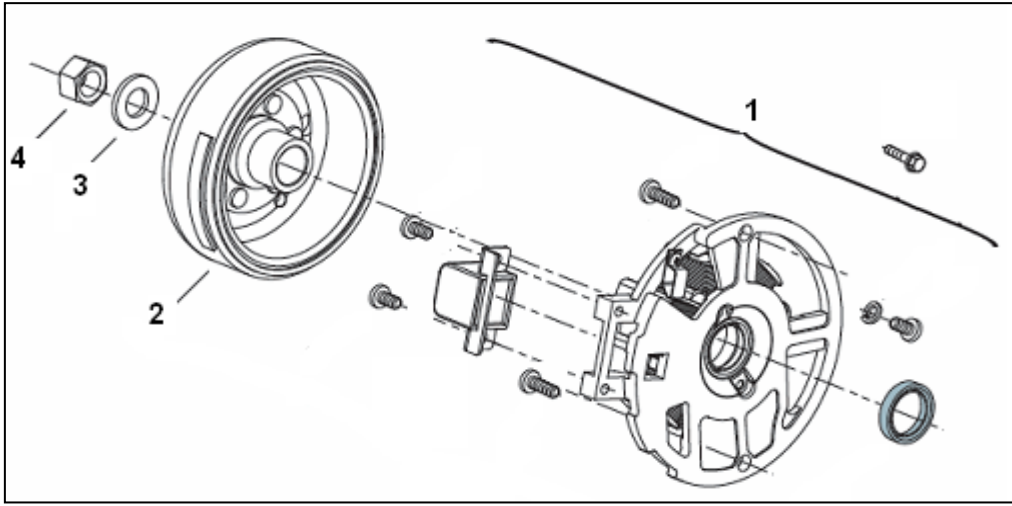
E11 TRANSMISSION SYSTEM ASSY

NO.	PART NO.	DESCRIPTION	QTY
1	17800B09F000	SHAFT , IDLE	1
2	B12016620000	BEARING 6200	1
3	17732J01F000	WASHER , THRUST 14	1
4	17300B09F000	SHAFT , REAR BOX	1
5	B12016600400	BALL BEARING 6004	1
6	17317B09F000	OIL SEAL 25X44X7	1
7	B12016620200	BALL BEARING 6202	1
8	229041070000	PRIMARY DRIVE SHAFT new	1
9	B12016620300	BALL BEARING 6203	1
10	B08010001700	CIRCLIP ϕ 17	1



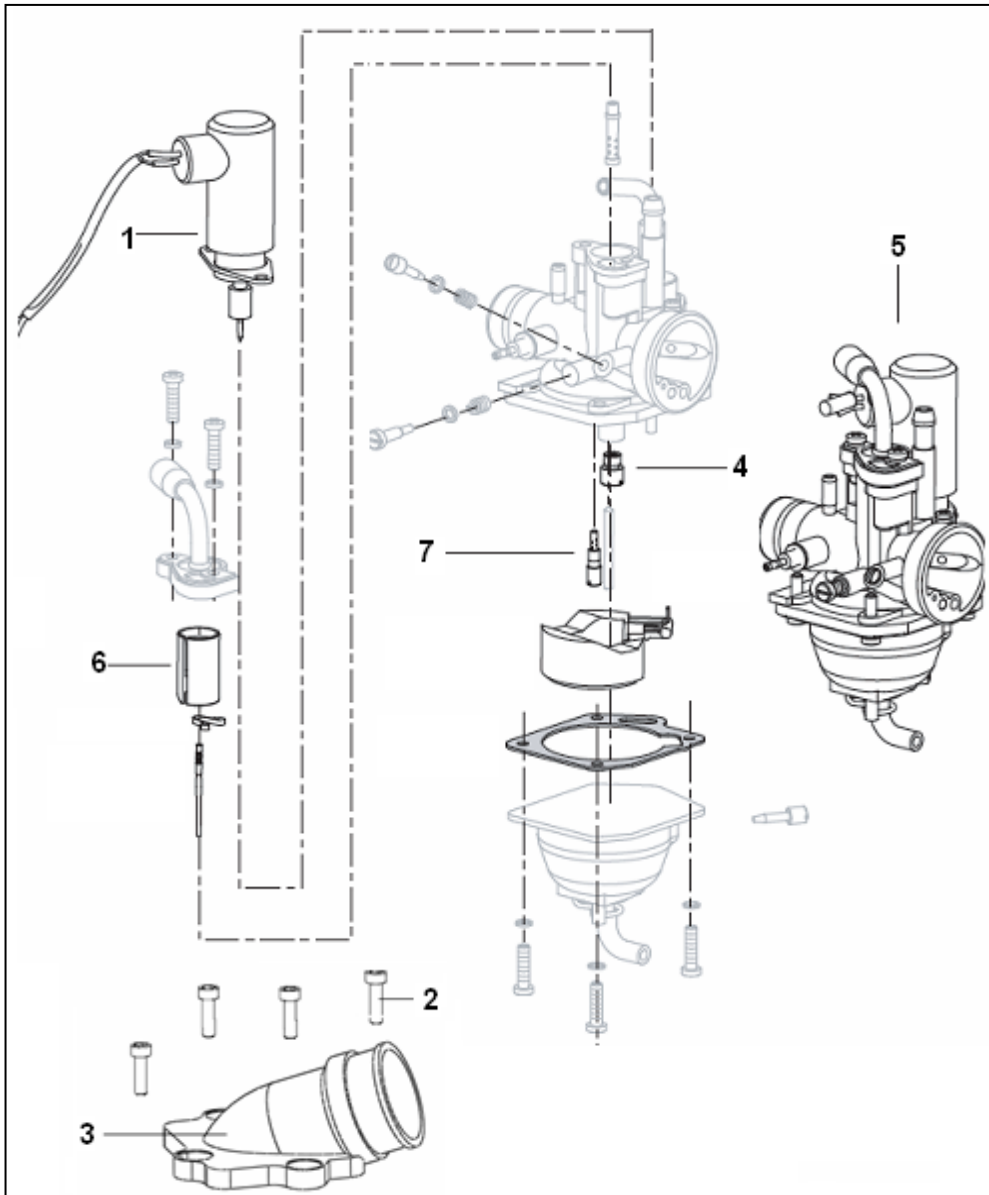
E12 REED VALVE ASSY

NO.	PART NO.	DESCRIPTION	QTY
1	32300B09F000	REED VALVE ASS'Y	1
2	32312G02F002	VALVE SEAT GASKET	1



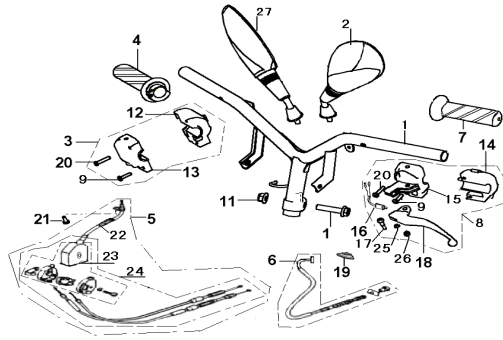
E13 MAGNET ASSY

NO.	PART NO.	DESCRIPTION	QTY
1	223100.007000	MAGNETO ASSY	1
2	34301G02F000	ROTOR ASSY	1
3	B07030001200	WASHER 12-140HV	1
4	15228H03F000	NUT M12X1.25	1



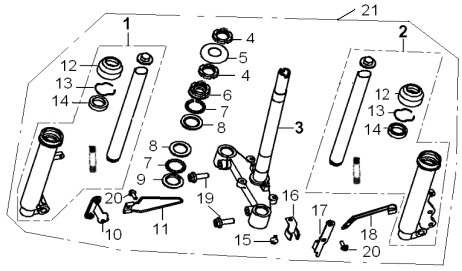
E14 CARBURETOR ASSY

NO.	PART NO.	DESCRIPTION	QTY
1	32612B01F000	THERMO ASSY	1
2	B02050602064	SCREW M6X20	4
3	32200G02F00A	PIPE, INTAKE	1
	224202.101000	MAIN JET 45	1
4	224202.006000	MAIN JET 47.5	1
	224202.005000	MAIN JET 57.5	1
5	224100.047000	CARBURETOR ASS'Y (MIKUNI)	1
6	224304.101000	VALVE,PISTON	1
7	224203U.001000	SLOW JET 15	1

F01 STEERING HANDLE


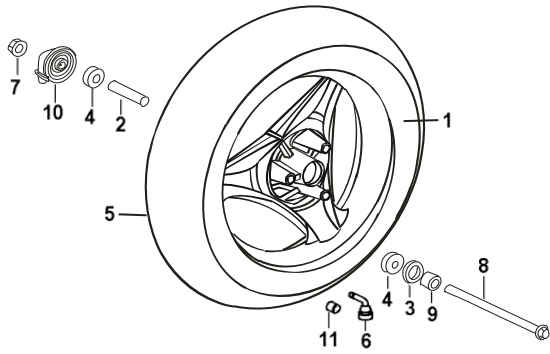
REF. NO.	PART NO.	DESCRIPTION	Q'TY
1	40100B300002	STEERING HANDLE COMP	1
2	40460BMBTB42	BACK MIRROR ASSY., LH.	1
3	40600BN0T000	HANDLE SWITCH ASSY., RH (WR)	1
4	40210BMBT000	GRIP ,THROTTLE	1
5	40300BM0T001	CABLE ASSY,THROTTLE	1
6	40270BMBT000	CABLE ASSY,REAR BRAKE	1
7	40001BMBT000	GRIP,LEFT HANDLE	1
8	40500BN0T000	SWITCH ASSY, LEFT HANDLE (WR)	1
9	B02000502025	PAN HEAD SCREW 5X20	2
10	B01091004565	FLANGE BOLT 10X1.25X45	1
11	B04171012565	NUT 10X1.25	1
12	40610BN0T000	SWITCH COMP., R. HANDLE (WR)	1
13	40620BM0T000	SWITCH HOLDER, R. HANDLE	1
14	40510BN0T000	SWITCH COMP., L. HANDLE (WR)	1
15	40520BM0T000	SWITCH HOLDER, L. HANDLE	1
16	91600BMA000	STOP SWITCH, L. HANDLE	1
17	40004BMA000	LEVER MOUNTING SCREW M5	1
18	40002BMBT000	BRAKE LEVER, L HANDLE	1
19	40008BM0T000	JACKET, RR. BRAKE CABLE	1
20	B02000502525	PAN HEAD SCREW 5X25	2
21	B02000501025	PAN HEAD SCREW 5X10	1
22	40306BM0T000	CABLE,THROTTLE 1	1
23	40340BM0T001	JUNCTION BOX	1
24	40330BM0T000	CABLE ASSY.THROTTLE 2	1
25	B07000000505	WASHER 5	1
26	B04000500055	NUT M5	1
27	40470BMBTB42	BACK MIRROR ASSY., RH.	1

F02 FRONT FORK

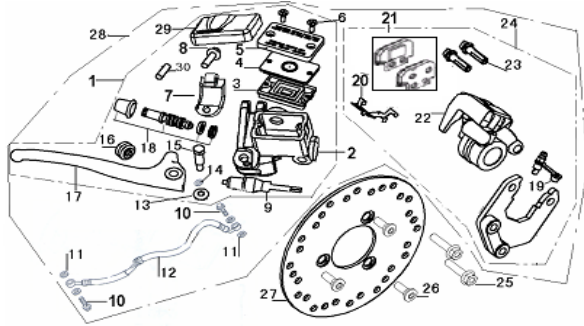


REF. NO.	PART NO.	DESCRIPTION	Q'TY
1	43300BMBT001	FR. R.CUSHION ASS'Y.	1
2	43200BMBT001	FR. L. CUSHION ASS'Y.	1
3	43100BMBT003	STEM, STEERING	1
4	43008BMBT000	NUT II	2
5	43005BMBT001	BALL RACE COVER	1
6	43001BMBT002	BALL RACE, CONNECTING	1
7	B06010150000	STEEL BALL ϕ 5	42
8	43003BMBT000	BALL RACE, 2	2
9	43004BMBT000	BALL RACE, 4	1
10	65140BMBT000	R. BRACKET, FR.FENDER	1
11	43150BMBT000	CLIP, SPEEDOMETER CABLE	1
12	43290K00P000	DUST SEAL	2
13	43207K00P000	CLIP	2
14	43260K00P000	OIL SEAL	2
15	B01090601265	BOLT M6 x 12	1
16	43035BMBT000	HOLDER, BRAKE HOSE 2	1
17	65130BN0T000	L. BRACKET, FR.FENDER	1
18	43021BM0T003	HOLDER, BRAKE HOSE 1	1
19	B01091003065	FLANGE BOLT 10X1.25X30	2
20	B01070601665	BOLT 6X16	2
21	43000BN0T000	FRONT FORK ASS'Y.	1

F03 FRONT WHEEL

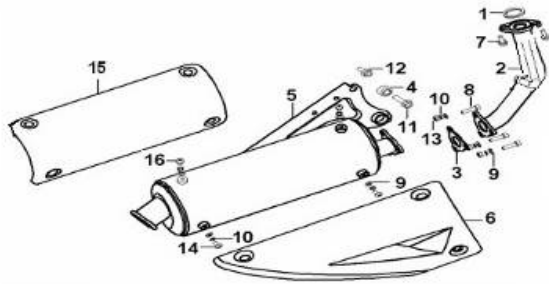


REF. NO.	PART NO.	DESCRIPTION	Q'TY
1	44100BN0TH10	RIM COMP., FRONT WHEEL (GRAY)	1
2	44600BM0T910	COLLAR, FRONT WHEEL	1
3	44300BM0T000	OIL SEAL 22X35X7	1
4	B12016020100	BALL BEARING 6201-2RS	2
6	B1403Z201120	VALVE	1
7	B04171212563	FLANGE U NUT 12X1.25mm	1
8	44004G4CT000	AXLE , FR. WHEEL M12X1.25X224	1
9	44005BM0T000	L. COLLAR, FRONT WHEEL	1
10	44200BM0T000	GEAR ASSY, SPEEDOMETER	1
11	B1404Z2011C0	CAP, VALVE	1

F04 FRONT DISK BRAKE


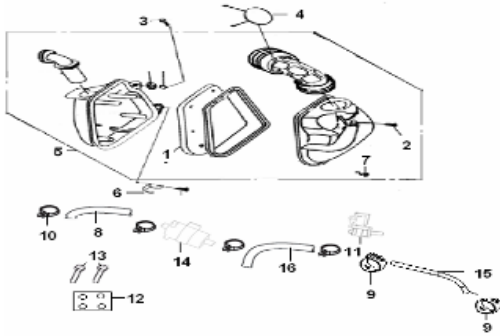
REF. NO.	PART NO.	DESCRIPTION	Q'TY
1	45400BN0TB30	MASTER CYLINDER ASSY.	1
2	45009BN0T000	MASTER CYLINDER BODY	1
3	45011J1DT000	RUBBER SEAL, MASTER CYLINDER	1
4	45013J1DT000	WASHER, CYLINDER	1
5	45012BMBT000	CAP, MASTER CYLINDER	1
6	B02010401025	FLAT HEAD SCREW 4X10	2
7	45023BN0T000	BRACKET, MASTER CYLINDER	1
8	B01070602365	BOLT M6X23	1
9	45300J3AT000	STOP SWITCH, FRONT DISK BRAKE	1
10	45037J00P000	UNION BOLT	2
11	45029J00P000	PLATE WASHER	4
12	45200BMBT000	FR. BRAKE HOSE	1
13	B04160600055	NUT M6	1
14	B07000000605	SPRING WASHER 6	1
15	40024J1CT000	BOLT M6, R. BRAKE LEVER	1
16	45057G0KP000	TENSION SPRING ,LEVER	1
17	45022BMBT001	LEVER, FR. DISC BRAKE	1
18	45140J00P000	PISTON ASSY, MASTER CYLINDER	1
19	45021J00P000	BREED SCREW CAP	1
20	45017G0CP000	PAD SUPPORT	1
21	45110J4FT000	BRAKE PAD SET	1
22	45001J4FTRN0	CALIPER BODY(RE D)	1
23	45053G0CP000	GUIDE POLE	2
24	45500J4FTRN0	CALIPER ASSY.	1
25	45039J4FT000	BOLT	2
26	45036JJ0T000	BOLT	3
27	45033BM0T001	BRAKE DISC	1
28	45000BN0TRN0	DISC BRAKE ASSY., FR	1
29	45079BN0T000	COVER,CYLINDER	1
30	B090105022A5	COLUMN PIN	1

F05 MUFFLER



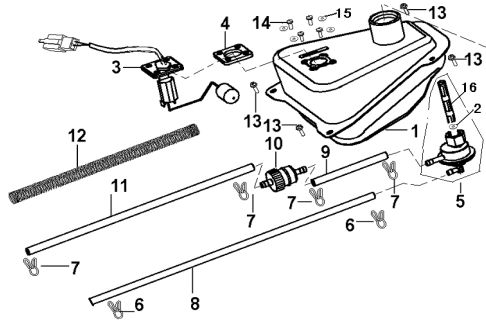
REF. NO.	PART NO.	DESCRIPTION	Q'TY
1	47800BMBT001	GASKET, EXHAUST PIPE	1
2	47500BN0T00A	EXHAUST PIPE D45 with SLS	
3	47740BMBT000	GASKET, MUFFLER	1
4	47800B0ET000	WASHER, FIXING	1
5	47100BN0T001	MUFFLER COMP.	1
6	47009BN0T001	PROTECTOR B, MUFFLER	1
7	B01090601665	FLANGE BOLT 6X16	2
8	B02050602560	SCREW 6X25	3
9	B07030000600	WASHER	7
10	B07000000600	SPRING WASHER 6	7
11	B01090803565	BOLT, FLANGE 8X35	1
12	B01090802065	BOLT, FLANGE 8X20	1
13	B04000600060	NUT 6	3
14	B02000601060	SCREW 6X10	1
15	47760BN0T001	PROTECTOR A, MUFFLER	1
16	B02000601260	SCREW 6X12	3

F06 AIR CLEANER

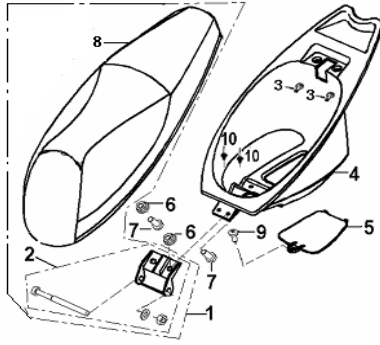


REF. NO.	PART NO.	DESCRIPTION	Q'TY
1	49200BMBT000	ELEMENT, AIR CLEANER	1
2	B05074202005	SCREW, TAPPING ST4.2X20	5
3	B01090602065	BOLT 6X20	2
4	49016BM0T000	CLIP	1
5	49100B320000	AIR CLEANER ASSY.	1
6	49371B0DT000	GUIDE ,RR,BRAKE CABLE	1
7	B05074201205	TAPPING SCREW ST4.2X12	4
8	49853B300000	HOSE	1
9	49855J000000	CLIP 16.5	2
10	49804J000000	CLIP 17.5	4
11	49930J040000	ONE WAY VALVE	1
12	57051B920000	PLATE,ONE WAY VALVE	1
13	B01090601265	BOLT 6X12	2
14	49870B140000	AIR CLEANER,SMALL	1
15	49851B380000	HOSE	1
15	B16010945001	HOSE	1
16	55065J040000	HOSE	1

F07 FUEL TANK

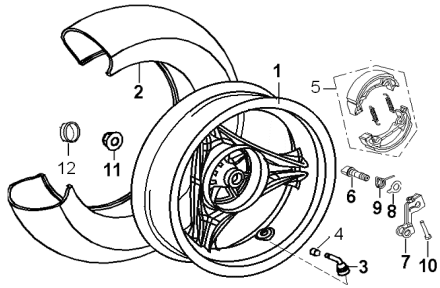


REF. NO.	PART NO.	DESCRIPTION	Q'TY
1	50100BN0T000	FUEL TANK COMP.	1
2	50312J0ET000	SEAL RING	1
3	50800BN0T001	FUEL UNIT	1
4	50004BM0T000	GASKET, FUEL UNIT	1
5	50300BM0T000	FUEL COCK COMP.	1
6	50306BM0T000	CLIP	2
7	50307BM0T000	CLIP	4
8	50302BN0T000	FUEL HOSE (4x8x360mm)	1
9	50301BN0T000	FUEL HOSE (4.5x8.5x70 mm)	1
10	50340BMAT000	FUEL FILTER ASSY.	1
11	50303BN0T000	FUEL HOSE (4.5x8.5x260 mm)	1
12	50316BMBT000	SPRING, FUEL HOSE	1
13	B01090601265	FLANGE BOLT M6X12	4
14	50801BM0T000	BOLT M5X16	4
15	B07020000505	WASHER	4

F08 SEAT


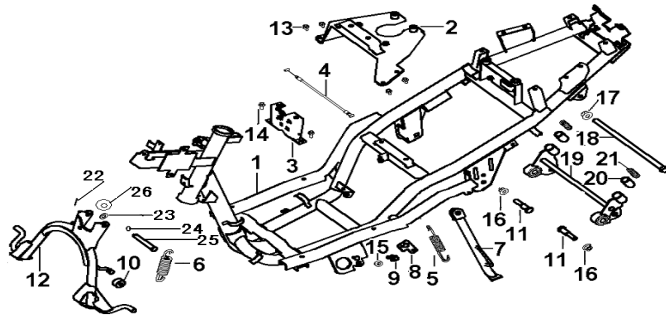
REF. NO.	PART NO.	DESCRIPTION	Q'TY
1	51001B30001Z	DOUBLE SEAT ASSY.COMP.	1
2	51080BN0T000	HINGE, SEAT, ASSY.	1
3	08011H60X000	BOLT M6X14	2
4	51004BN0T000	LUGGAGE BOX COMP	1
5	51005BN0T000	COVER, LUGGAGE BOX	1
6	B04070600065	NUT 6	2
7	B02060601625	BOLT M6X16	2
8	51100BN0T000	DOUBLE SEAT, ASSY	1
9	B05074801305	SCREW ST4.8X13mm	1
10	08017J4AT000	BOLT W/WASHER M6X20	2

F09 REAR WHEEL

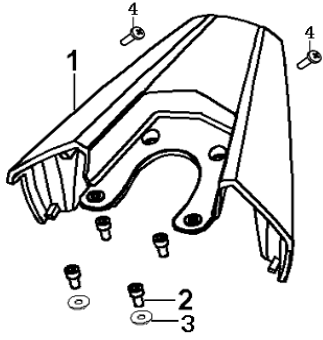


REF. NO.	PART NO.	DESCRIPTION	Q'TY
1	54100BN0TH10	RIM COMP. REAR WHEEL 3.5X12" (GRAY)	1
3	B1403Z201120	RIM VALVE	1
4	B1404Z2011C0	CAP, VALVE	1
5	54800BMBT000	BRAKE SHOE SET, REAR WHEEL	1
6	54003BM0T000	CAM SHAFT, 2	1
7	54007BM0T000	CAM SHAFT LEVER, 2	1
8	54002BM0T000	INDICATOR PLATE	1
9	54008BMBT000	TENSION SPRING	1
10	08012BM0T000	HEX. BOLT 6X30	1
11	B04171615063	NUT M16X1.5	1
12	54027BM0T000	DUST CAP	1

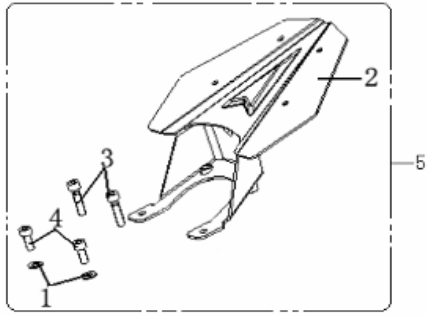
F10 FRAME BODY



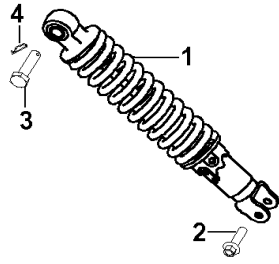
REF. NO.	PART NO.	DESCRIPTION	Q'TY
1	57100B300005	FRAME COMP.	1
2	57080BN0T000	CARRIER BRACKET	1
3	58800BM0T000	SEAT CATCH COMP.	1
4	58900BMBT000	SEAT CABLE ASSY.	1
5	57010BM0T000	SPRING ASSY, SIDE STAND	1
6	58510BM0T000	SPRING ASSY, MAIN STAND	1
7	58700BN0T000	SIDE STAND COMP.	1
8	57006BM0T000	SPRING HOOK, SIDE STAND	1
9	57005BMBT000	BOLT, SIDE STAND	1
10	58507BM0T000	STOPPER, MAIN STAND	1
11	58301BMBT000	BOLT, E/G MOUNTING	2
12	58520B300001	MAIN STAND ASSY.	1
13	B01090601665	FLANGE BOLT M6X16	4
14	B01090602565	FLANGE BOLT M6X25	2
15	B04070800065	NUT M8	1
16	B04171012565	NUT M10X1.25	2
17	B04171212563	NUT M12X1.25	1
18	58303BM0T000	BOLT, ENGINE HANGER	1
19	58360BMBT000	HANGER LINK, ENGINE	1
20	58302B0DT000	DAMPER	2
21	58304BMBT000	SPRING	2
22	63016B0DT000	SPLIT PIN	1
23	58508B0DT000	PLATE WASHER 10	1
24	B190101000A0	O-RING 10X1.8	1
25	58501B450050	58501B450050	1
26	B07030001005	WASHER 10	1

F11 HANDRAIL

REF. NO.	PART NO.	DESCRIPTION	Q'TY
1	52011BN0TB40	HANDRAIL (BLACK)	1
1	52011B30W100	HANDRAIL (WHITE W1)	1
2	B02050802065	BOLT M8X20	4
3	B07020000805	WASHER 8	2
4	B02060501225	SCREW M5X12	2

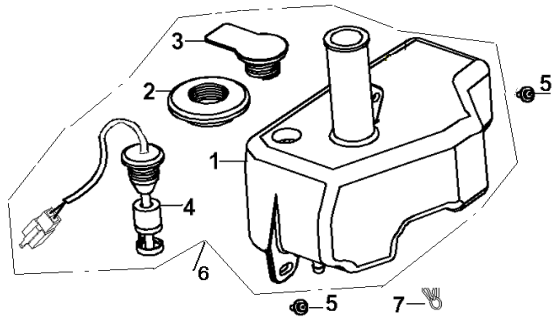
F11-1 HANDRAIL

REF. NO.	PART NO.	DESCRIPTION	Q'TY
1	B07020000805	WASHER 8	2
2	52100BN0T000	REAR CARRIER	1
3	B02050803565	BOLT M8X35	2
4	B02050802065	BOLT M8X20	2
5	52100B30001Z	REAR CARRIER ASSEMBLY	1

F12 REAR ABSORBER

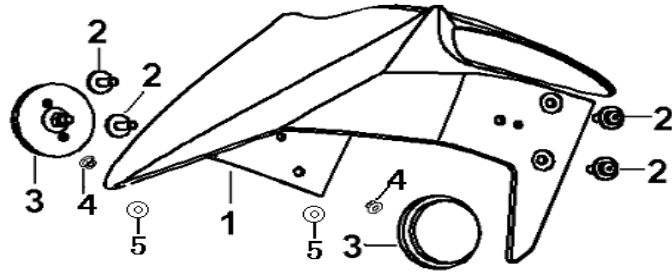
REF. NO.	PART NO.	DESCRIPTION	Q'TY
1	63100BM0TB30	RR. ABSORBER COMP., (BLACK)	1
2	63015J0ET000	FLANGE BOLT M8x31	1
3	B01141004063	BOLT W/HOLE 10X1.25x40	1
4	63016B0DT000	SPLIT PIN	1

F13 OIL TANK



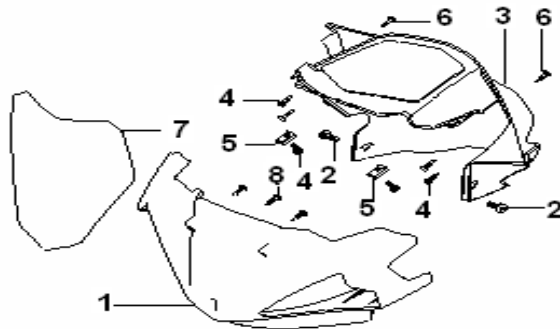
REF. NO.	PART NO.	DESCRIPTION	Q'TY
1	64001BN0T000	OIL TANK	1
2	64012BN0T000	RUBBER, OIL GUIDE	1
3	64090BMAT000	CAP, OIL TANK	1
4	64100BN0T000	OIL LEVER GAUGE ASSY (WR)	1
5	B13060601605	SCREW M6X16	2
6	64000BN0T000	OIL TANK ASSY.	1
7	50307BM0T000	CLIP	1

F14 FRONT FENDER



REF. NO.	PART NO.	DESCRIPTION	Q'TY
1	65101BN0TB40	FRONT FENDER, (BLACK)	1
1	65101B30W100	FRONT FENDER, (WHITE W1)	1
2	65114BMBT000	SCREW WITH WASHER 6X16	4
3	86300BMMT000	FR. REFLECTOR(E-MARK)	2
4	B04000500063	NUT M5	2
5	B07030000503	WASHER 5	2

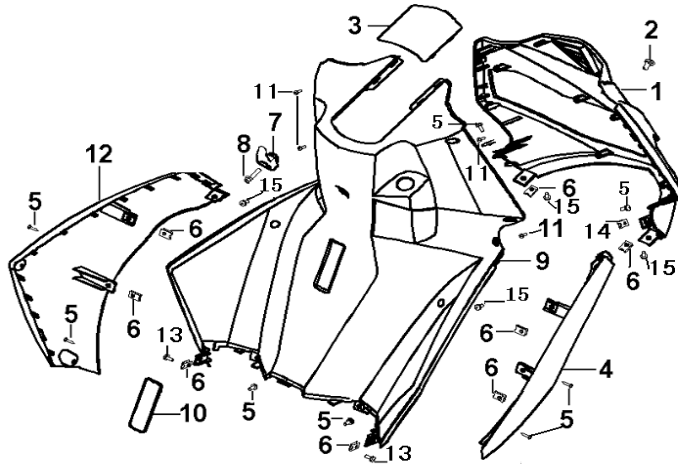
F15 HANDLE COVER



REF. NO.	PART NO.	DESCRIPTION	Q'TY
1	65201B30B401	HANDLE COVER BLACK B4	1
1	65201B30W101	HANDLE COVER WHITE W1	1
2	B13010602005	SCREW 6X20	2
3	65202B300001	HANDLE COVER,RR	1
4	B05070401605	TAPPING SCREW 4X16	6
5	65801BMAT000	CLIP NUT	2
6	B05070401205	TAPPING SCREW 4X12	2
7	65203B300001	METER VISION ASSY.	1
8	B05074201605	TAPPING SCREW 4.2x16	3

F16

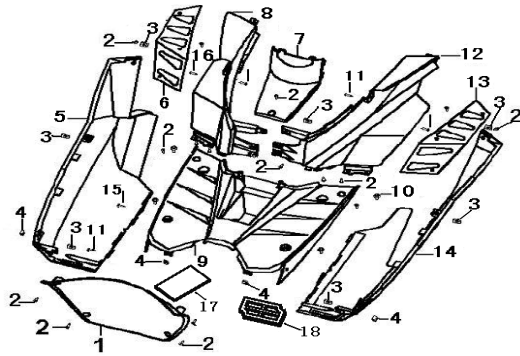
FRONT COVER



REF. NO.	PART NO.	DESCRIPTION	Q'TY
1	65301BN0TB40	FRONT COVER (BLACK)	1
1	65301B30W100	FRONT COVER (WHITE W1)	1
2	B13010601625	SCREW M6X16	1
3	65303BN0T000	UPPER COVER, LEG SHIELD	1
4	65365BN0TB40	R. FR. SIDE COVER (BLACK)	1
4	65365B30W100	R. FR. SIDE COVER (WHITE W1)	1
5	B05074801605	TAPPING SCREWS ST4.8X16	8
6	65801BMAT000	CLIP NUT	10
7	51011B5BT000	HOOK, HELMET	1
8	B01090602565	BOLT M6X25	1
9	65402BN0T000	LEG SHIELD	1
10	65403BN0T000	COVER, FRAME NUMBER	1
11	B05000401605	TAPPING SCREWS ST4X16	4
12	65364BN0TB40	L. FR. SIDE COVER (BLACK)	1
12	65364B30W100	L. FR. SIDE COVER (WHITE W1)	1
13	B05074201905	TAPPING SCREWS ST4.2X19	2
14	65802BMAT000	CLIP NUT	2
15	B05074201605	TAPPING SCREWS ST4.2X16	4

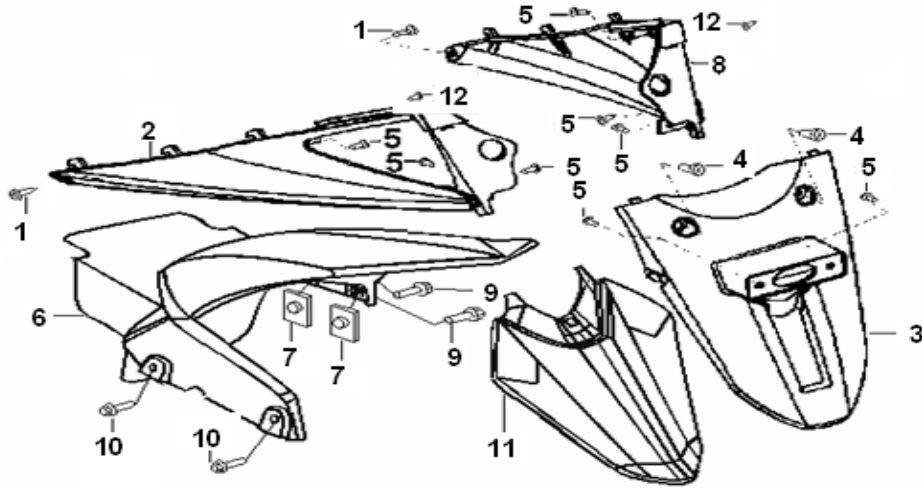
F17

FOOTREST



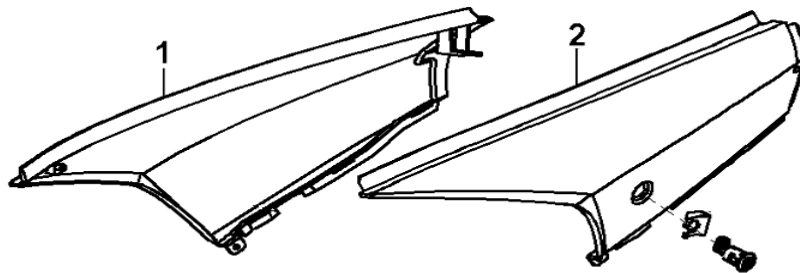
REF. NO.	PART NO.	DESCRIPTION	Q'TY
1	65406BN0T000	FENDER, INNER	1
2	B05074201605	TAPPING SCREW 4.2X16	18
3	65801BMAT000	CLIP NUT	11
4	65802BMAT000	CLIP NUT	4
5	65409J5BTB40	R.LOW SIDE COVER(BLACK)	1
6	65414BN0T000	RUBBLER PLATE, RIGHT FOOTREST	1
7	65813BN0T000	BATTERY LID	1
8	65604BN0T000	R SIDE FOOT STEP COVER	1
9	65401BN0T000	FLOOR PANEL COMP.	1
10	08011H60X000	BOLTS M6x14	4
11	B05070401605	TAPPING SCREW 4X16	3
12	65603BN0T000	L SIDE FOOT STEP COVER	1
13	65413BN0T000	RUBBER PLATE, LEFT FOOTREST	1
14	65409J5BTB41	R.LOW SIDE COVER(BLACK)	1
15	B05070401205	TAPPING SCREW 4X12	12
16	B02060501425	SCREW M5X14	2
17	65811BMBT000	BATTERY DAMPER 1	1
18	65812BMBT000	BATTERY DAMPER 2	2

F18 REAR FENDER



REF. NO.	PART NO.	DESCRIPTION	Q'TY
1	B13010501405	SCREW ASSY M5X14	2
2	65718BN0T000	SIDE FENDER, RR. LEFT	1
3	65701BN0T000	MUDGUARD, REAR	1
4	B13010601205	SCREW ASSY M6X12	2
5	B05074201305	TAPPING SCREW ST4.2X13	8
6	65709BN0T000	REAR CENTER FENDER	1
7	65803J0ET000	SPRING NUT M6	2
8	65717BN0T000	SIDE FENDER, RR. RIGHT	1
9	B01090602055	BOLT M6X20	2
10	B01090601655	BOLT M6X16	2
11	65719BN0T000	MUDGUARD, REAR	1
12	B05073001005	TAPPING SCREW ST3X10	2

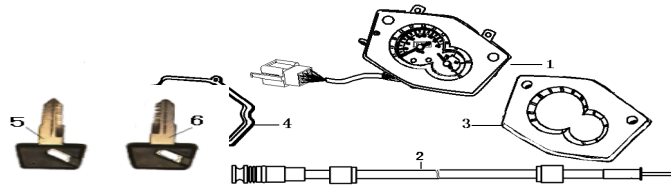
F19 BODY COVER



REF. NO.	PART NO.	DESCRIPTION	Q'TY
1	65602BN0TB40	BODY COVER ,R(BLACK)	1
1	65602B30W100	BODY COVER ,R(WHITE W1)	1
2	65601BN0TB40	BODY COVER ,L(BLACK)	1
2	65601B30W100	BODY COVER ,L(WHITE W1)	1

F20

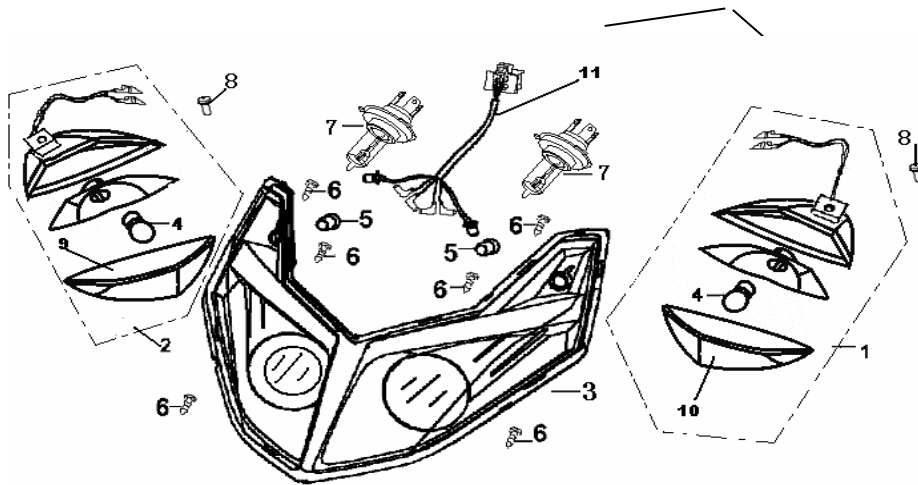
SPEEDOMETER



REF. NO.	PART NO.	DESCRIPTION	Q'TY
1	70000BN0T003	New SPEEDOMETER ASSY	1
2	72900BN0T000	SPEEDOMETER CABLE COMP.	1
3	70003BN0T000	SPEEDOMETER COVER 1	1
4	70004BN0T000	SPEEDOMETER COVER 2	1
5	88900BMBT001	KEY NUT RIGHT	1
6	88900BMBT002	KEY NUT LEFT	1

F21

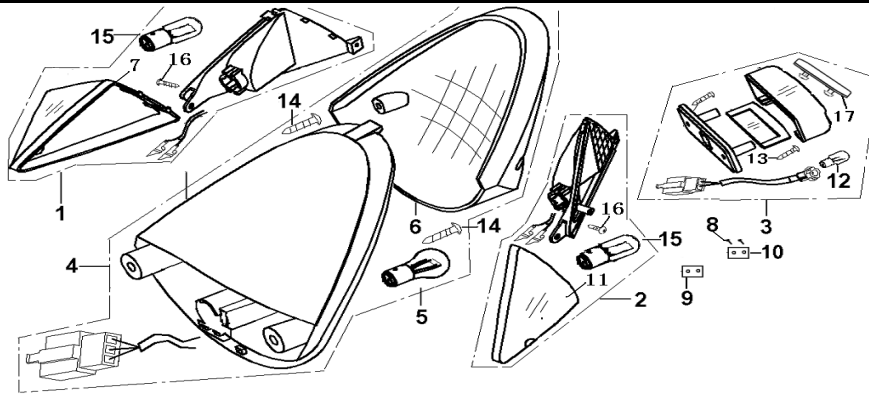
FLASHER LIGHT/HEAD LIGHT



REF. NO.	PART NO.	DESCRIPTION	Q'TY
1	81100BN0T000	FLASHER LIGHT ASSY., L(E MARK)	1
2	81300BN0T000	FLASHER LIGHT ASSY., R(E MARK)	1
3	80000BN0T001	HEAD LIGHT ASSY (WR)	1
4	81501BN0T000	BULB, 12V/10W	2
5	80003BN0T000	BULB 12V/5W	2
6	B05070401605	TAPPING SCREW 4X16	6
7	80002BMMT000	BULB, (12V 35/35W)	2
8	08005AE0D000	M5X11.5	2
9	81302B300002	LIGHT COVER, R.	1
10	81102B300002	LIGHT COVER, L.	1
11	80009BN0T001	HEADLIGHT WIRE ASSY..R	1

F22

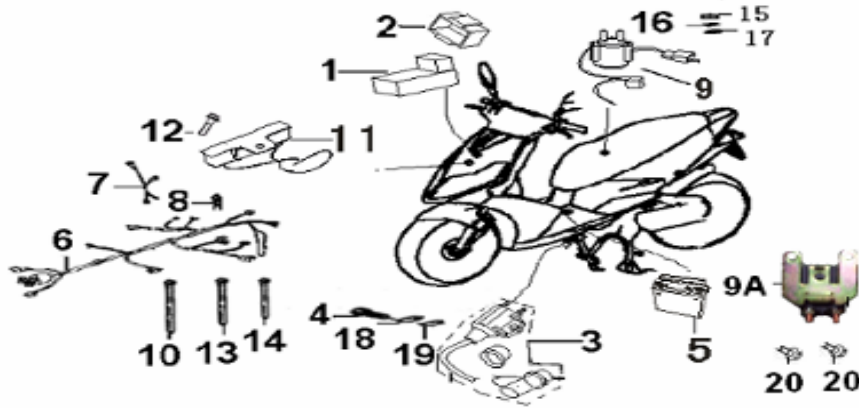
TAIL LIGHT



REF. NO.	PART NO.	DESCRIPTION	Q'TY
1	81700BN0T001	FLASHER LIGHT ASSY., RR. RIGHT (WR)	1
2	81500BN0T001	FLASHER LIGHT ASSY., RR. LEFT (WR)	1
3	82500BN0T001	LIGHT ASS'Y, LICENSE PLATE (WR)	1
4	82000BN0T001	TAIL LIGHT ASSY. (WR)	1
5	82005BN0T000	BULB 12V 21/5W	1
6	82008BN0T000	LENS, TAIL LIGHT	1
7	81708BN0T000	FLASHER LIGHT COVER, R	1
8	B100432007P0	RIVET3.2X7	4
9	57001BN0T002	FRAME BODY NO. PLATE(D45)	
10	57002BN0T002	ANTI-TAMPERING PLATE(D45)	1
11	81508BN0T000	FLASHER LIGHT COVER, L	1
12	82505BN0T000	BULB	1
13	08008BN0T000	SCREW 4X12	2
14	08009BN0T000	SCREW 4X18	2
15	81505BN0T000	BULB 12V 10W	2
16	08011BN0T000	SCREW 3X8	2
17	86500BN0T000	RR. REFLECTOR (E MARK)	1

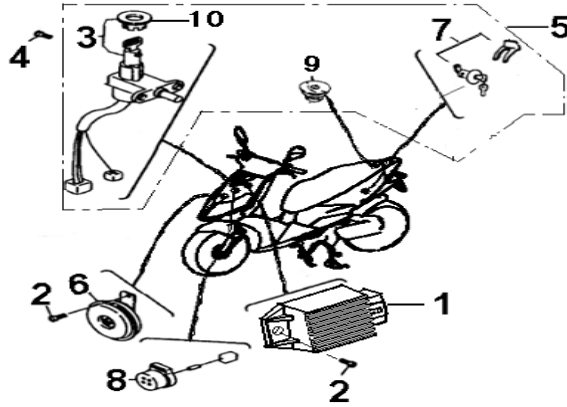
F23

ELECTRICAL EQUIPMENT I



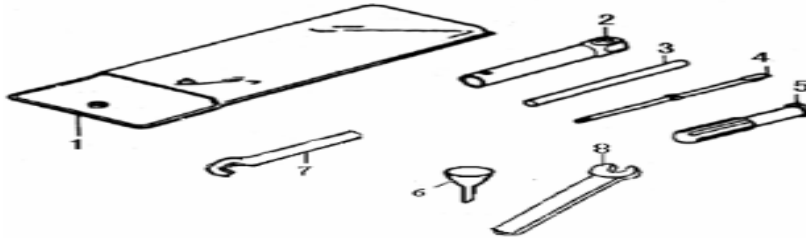
REF. NO.	PART NO.	DESCRIPTION	Q'TY
1	97701BM0T001	C.D.I. UNIT COMP.	1
2	96007BM0T000	CUSHION C.D.I.	1
3	96200B990000	IGNITION COIL ASSY.	1
4	B02000502025	SCREW 5X20	1
5	96100B030010	BATTERY ASSY (YTX4L-BS)	1
6	92000B300007	WIRE HARNESS ASSY.	1
7	96900BMBT000	SUB WIRE HARNESS	1
8	96800BMAT000	FUSE 8A,250V	1
9A	94100J000002	STARTER RELAY COMP.	1
10	96001K00P000	BAND 250MM	3
11	96600BN0T000	RESISTOR COMP.	1
12	B01090601265	BOLT 6X12mm	2
13	96003K00P000	BAND 200mm	3
14	96002K00P000	BAND 150mm	5
15	B04000600035	NUT 6mm	1
16	B07000000605	WASHER 6mm	2
17	B07030000605	WASHER 6mm	2
18	B07000000505	WASHER 5mm	1
19	B07030000505	WASHER 5mm	1
20	B01090601065	BOLT 6X10mm	2

F24 ELECTRICAL EQUIPMENT II



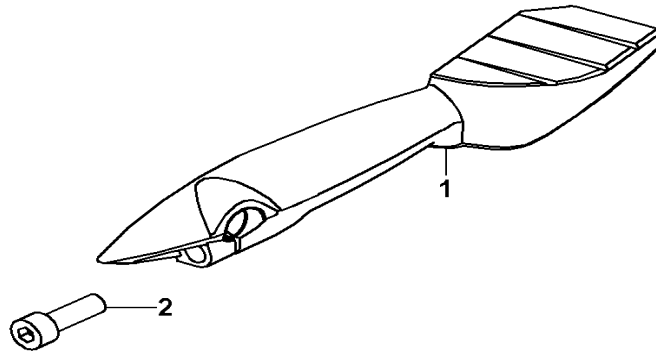
REF. NO.	PART NO.	DESCRIPTION	Q'TY
1	98801B09F000	REC. REGULATOR COMP.	1
2	B01090601265	BOLT 6X12	2
3	88100BN0T000	IGNITION SWITCH ASSY (WR)	1
4	08002BMBT000	BOLT 6X16	2
5	88000BN0T000	KEY LOCK SET.	1
6	95000BMDT000	HORN COMP (E MARK)	1
7	88800BN0T000	LOCK ASSY., SEAT	1
8	96500BN0T000	FLASHER RELAY COMP (WR)	1
9	88400BM0T000	LOCK ASSY., FUEL TANK	1
10	88101BMBT000	COVER MAIN SWITCH	1

F25 TOOL KIT



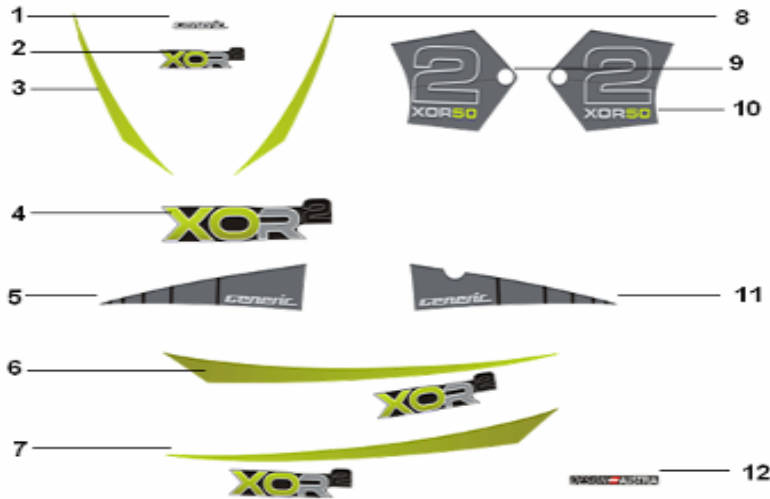
REF. NO.	PART NO.	DESCRIPTION	Q'TY
1	02110BM0T000	TOOL BAG	1
2	02102BM0T000	WRENCH, SPARK PLUG	1
3	02101BM0T000	LEVER, SPARK PLUG	1
4	02103BM0T000	SCREW DRIVER	1
5	02104BM0T000	HANDLE	1
6	02114BM0T000	FUNNEL	1
7	02115BM0T000	RR. ABSORBER ADJUSTER	1
8	02117BMBT000	WRENCH	1

F26 KICK STARTER



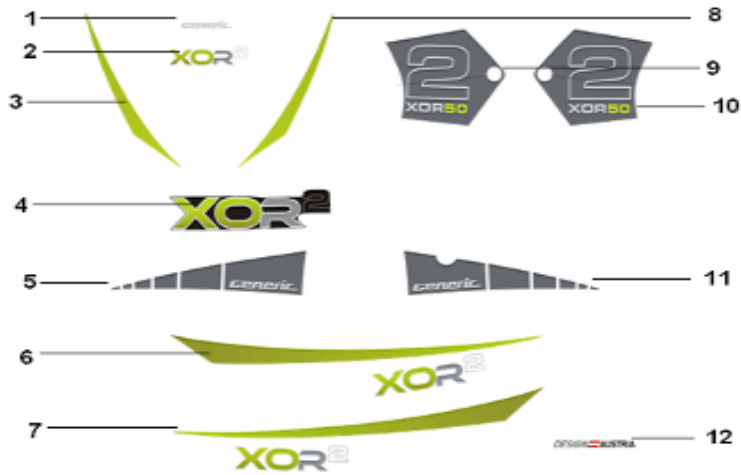
REF. NO.	PART NO.	DESCRIPTION	Q'TY
1	08351B300000	KICK STARTER COMP	1
2	B02050603065	SCREW 6X30	1

F27-12 STICKER WHITE XOR II



REF. NO.	PART NO.	DESCRIPTION	Q'TY
1	05505B30B40C	STICKER,HANDLE CVOER	1
2	05521B30B40C	STICKER,FRONT COVER	1
3	05523B30000C	STICKER,FRONT COVER RIGHT	1
4	05541B30000C	STICKER,UNDER COVER	1
5	05516B30B40C	STICKER II,SIDE COVER RIGHT	1
6	05513B30B40C	STICKER I,SIDE COVER LEFT	1
7	05514B30B40C	STICKER I,SIDE COVER RIGHT	1
8	05522B30000C	STICKER,FRONT COVER LEFT	1
9	05506B30000C	STICKER,SIDE COVER LEFT	1
10	05507B30000C	STICKER,SIDE CVOER RIGHT	1
11	05515B30B40C	STICKER II,SIDE COVER LEFT	1
12	05572B30B40C	STICKER,REAR CARRIER	1

F27-13 STICKER BLACK XOR II



REF. NO.	PART NO.	DESCRIPTION	Q'TY
1	05505B30000C	STICKER,HANDLE CVOER	1
2	05521B30000C	STICKER,FRONT COVER	1
3	05523B30000C	STICKER,FRONT COVER RIGHT	1
4	05541B30000C	STICKER,UNDER COVER	1
5	05516B30000C	STICKER II,SIDE COVER RIGHT	1
6	05513B30000C	STICKER I,SIDE COVER LEFT	1
7	05514B30000C	STICKER I,SIDE COVER RIGHT	1
8	05522B30000C	STICKER,FRONT COVER LEFT	1
9	05506B30000C	STICKER,SIDE COVER LEFT	1
10	05507B30000C	STICKER,SIDE CVOER RIGHT	1
11	05515B30000C	STICKER II,SIDE COVER LEFT	1
12	05572B30000C	STICKER,REAR CARRIER	1