



GENERIC



XOR 125 **Maxi scooter**

DESIGN  **AUSTRIA**

Reserve dele



SCANDINAVIAN MACHINERY IMPORT ApS

Holtvej 8-10, Høruphav, 6470 Sydals

Telefon: +45 73 15 11 00

Fax: +45 73 15 11 01

info@scanmi.dk · www.scanmi.dk

CVR: 27 73 31 07

www.genericmotor.dk

Juli 2011

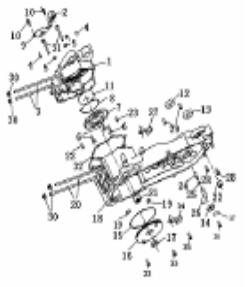
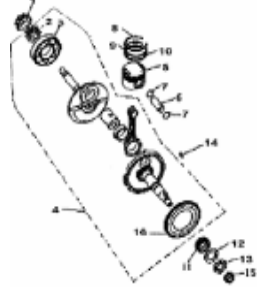
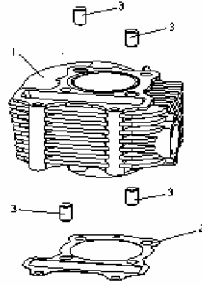
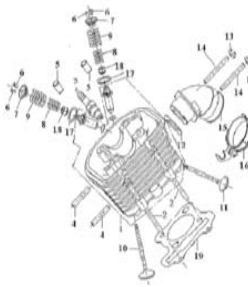
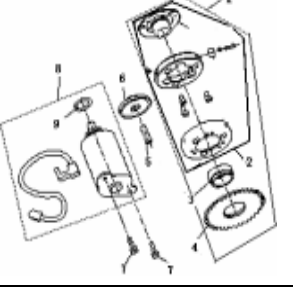
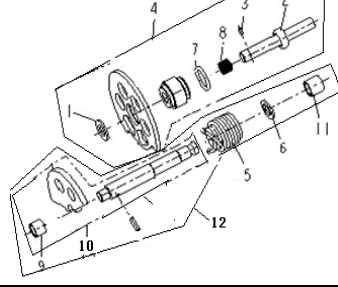
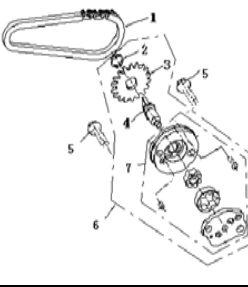
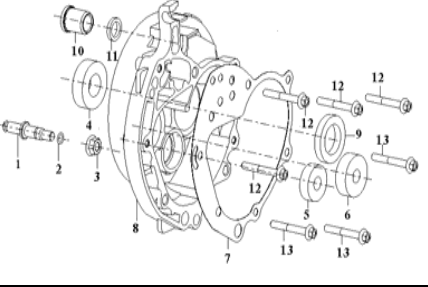
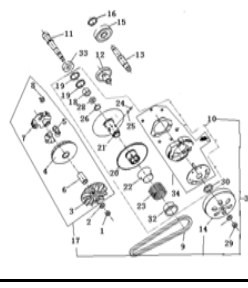
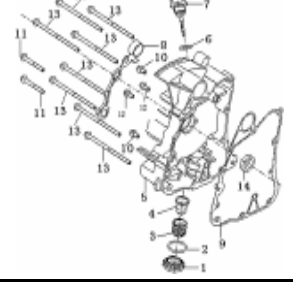
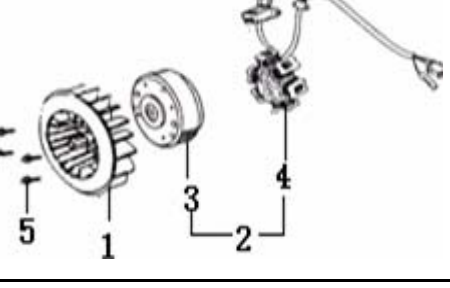
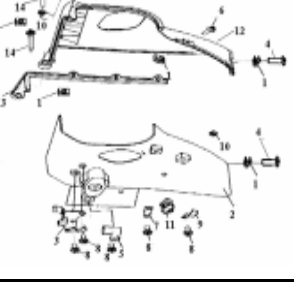
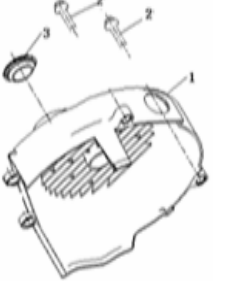
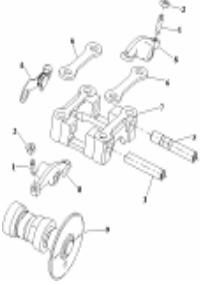

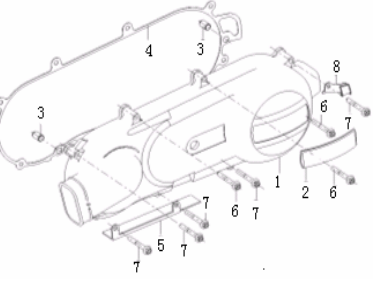
XOR
125CC



PARTBOOK

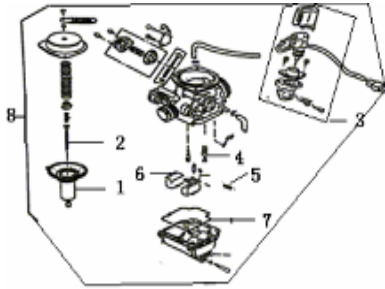
Year 2004-08

INDEX - ENGINE 1 Vers. 2006.02

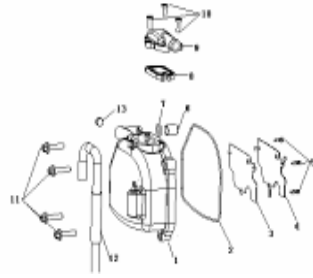
| | | | |
|---|---|---|---|
| E01 CRANKCASE ASSY | E02 CRANKSHAFT&CONNECTING ROD&PISTON ASSY | E03 CYLINDER ASSY | E04 CYLINDER HEAD ASSY |
|  |  |  |  |
| E05 ELECTRIC STARTER ASSY | E06 KICK STARTER ASSY | E07 OIL PUMP ASSY | E08 COVER GEAR BOX ASSY |
|  |  |  |  |
| E09 CLUTCH ASSY | E10 COVERCASE RH ASSY | E11 MAGNETO ASSY | E12 SHROUD ASSY |
|  |  |  |  |
| E13 COVER FAN ASSY | E14 AIR MIX DEVICE | E15 CAM CHAIN & TENSIONER ASSY | E16 CRANKCASE COVER |
|  |  |  |  |

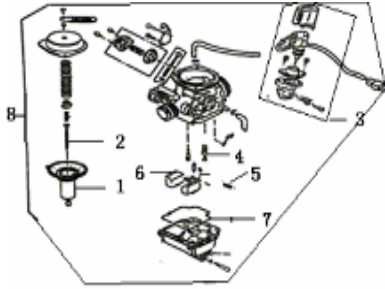
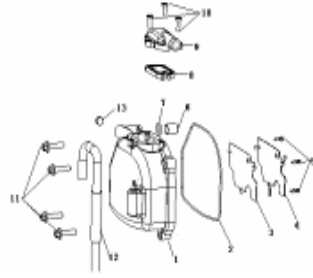
INDEX - ENGINE 2 Vers. 2006.02

E17 CARBURETOR ASSY



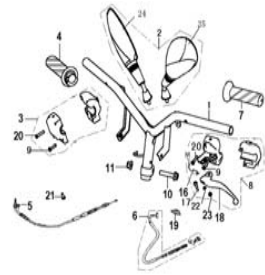
E18 COVER, CYLINDER HEAD



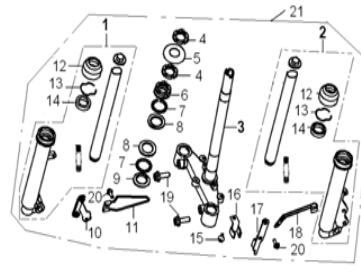
| | | | |
|---|--|--|--|
|  |  | | |
| | | | |
| | | | |
| | | | |

INDEX - FRAME 1 Vers. 2006.02

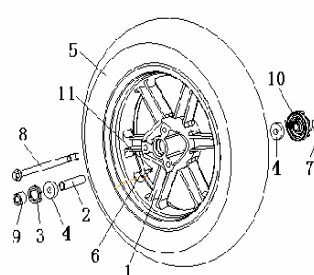
F01 STEERING HANDLE



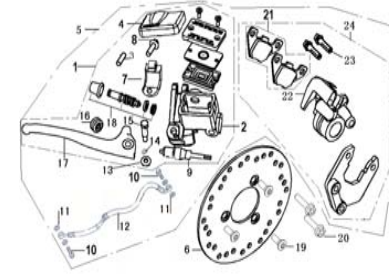
F02 FRONT FORK



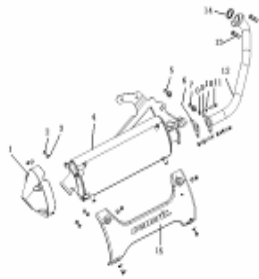
F03 FRONT WHEEL



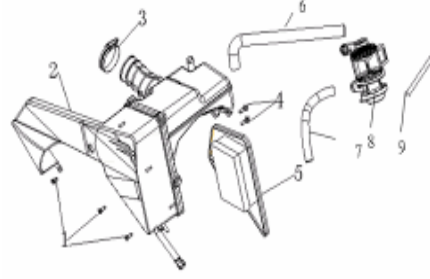
F04 FRONT DISK BRAKE



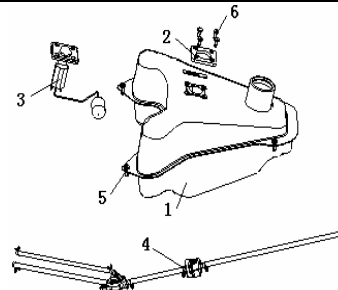
F05 MUFFLER



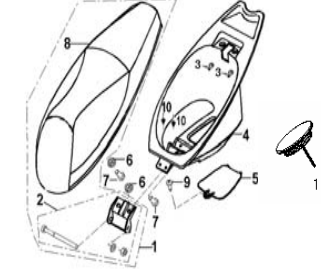
F06 AIR CLEANER



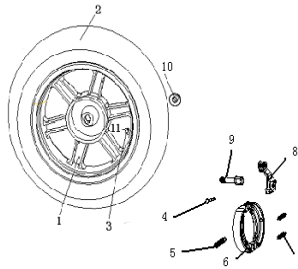
F07 FUEL TANK



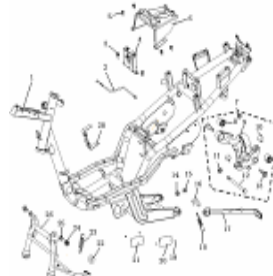
F08 SEAT



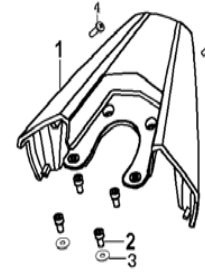
F09 REAR WHEEL



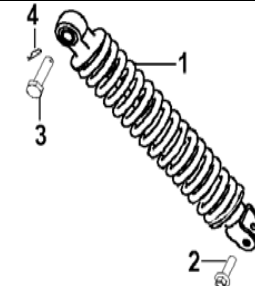
F10 FRAME BODY



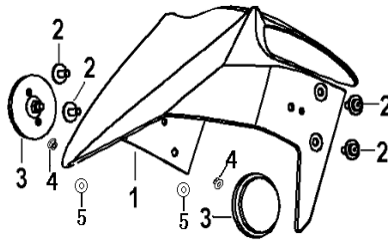
F11 HANDRAIL



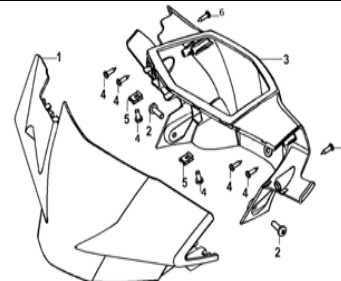
F12 REAR ABSORBER



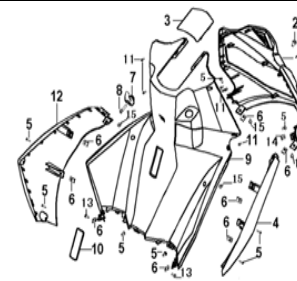
F13 FRONT FENDER



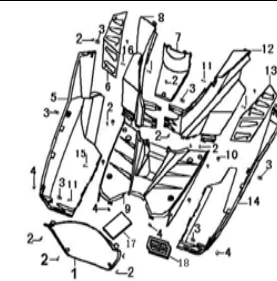
F14 HANDLE COVER



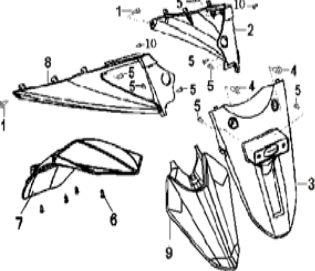
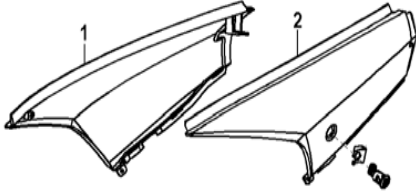
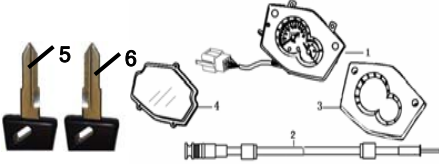
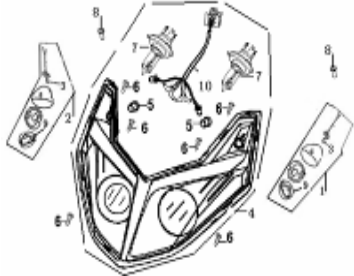
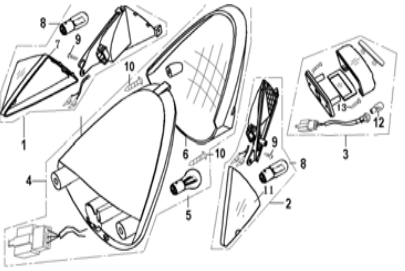
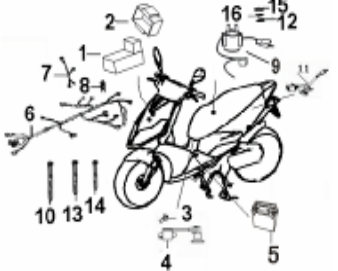
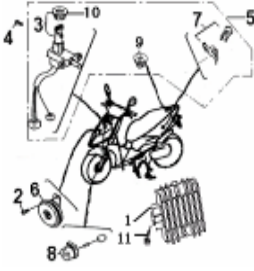
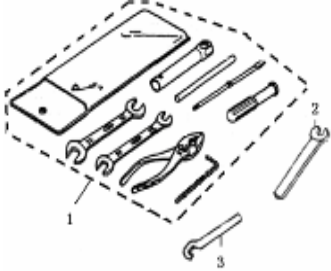
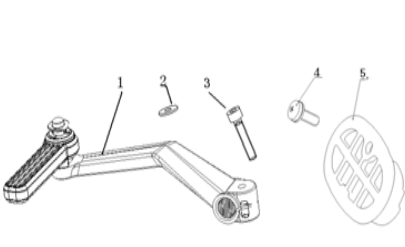

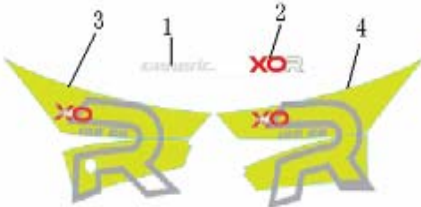

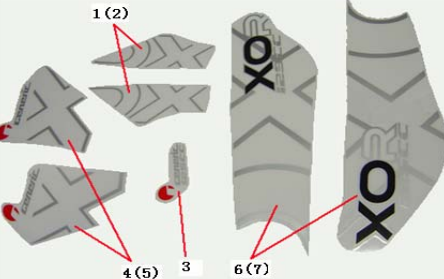
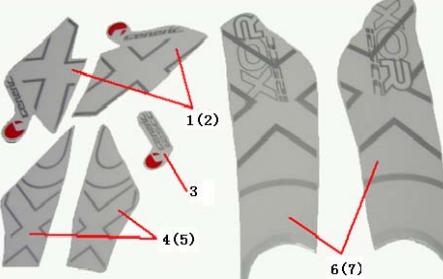
F15 FRONT COVER



F16 FOOTREST

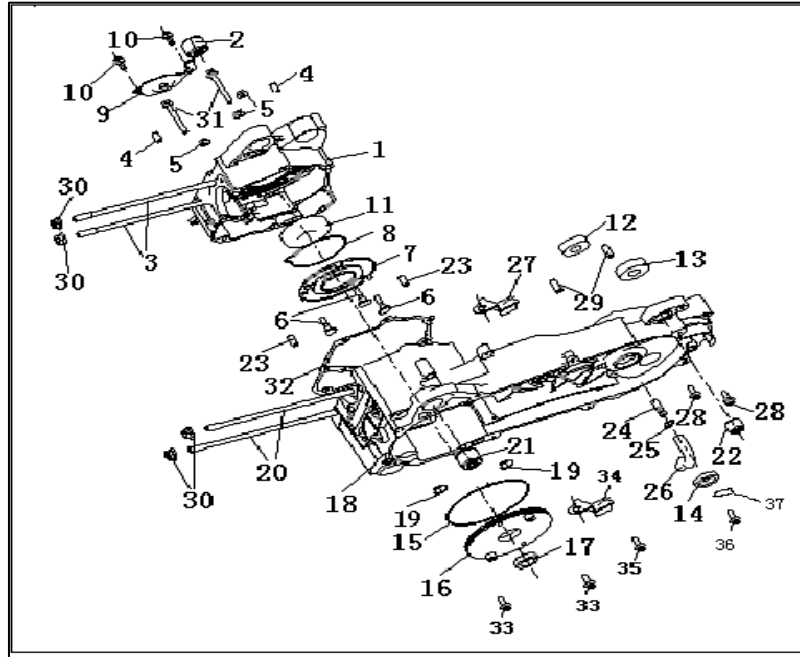


INDEX - FRAME 2 Vers. 2006.02

| | | | |
|---|--|--|--|
| F17 REAR FENDER | F18 BODY COVER | F19 SPEEDOMETER | F20 FLASHER LIGHT/HEAD LIGHT |
|  |  |  |  |
| F21 TAIL LIGHT | F22 ELECTRICAL EQUIPMENT I | F23 ELECTRICAL EQUIPMENT II | F24 TOOL KIT |
|  |  |  |  |
| F25 ENGINE ATTACHMENT | F26-1 STICKER SILVER | F26-2 STICKER BLUE | F26-3 STICKER BLACK |
|  |  |  |  |
| F26-4 STICKER (XOR BASIC 2007), USE FOR BLACK VEHICLE | | F26-5 STICKER (XOR BASIC 2007), USE FOR WHITE AND YELLOW VEHICLE | |
|  |  | | |

E01-1 CRANKCASE ASSY

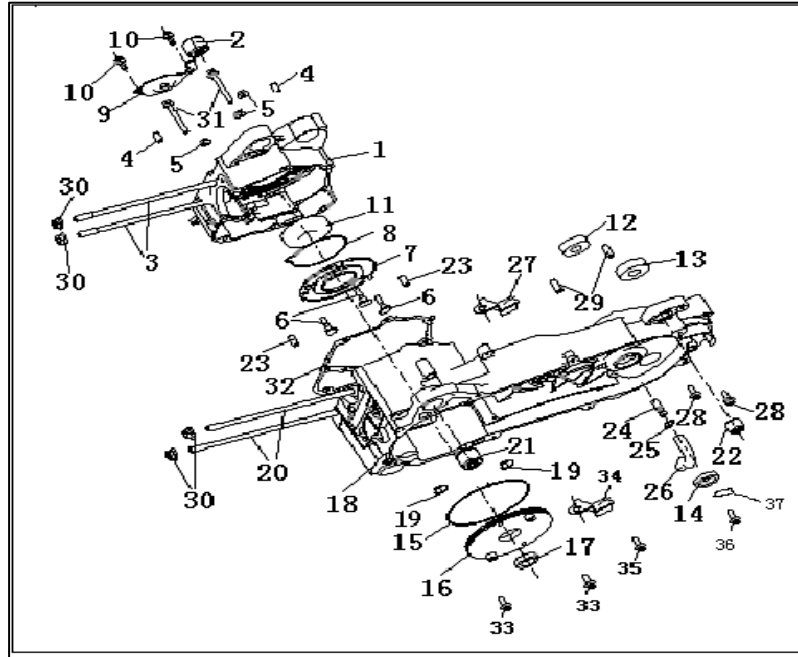
GENERIC XOR 125



| NO. | PART NO. | DESCRIPTION | QTY | DESIGN CHANGE | DATE | APPLY | REMARK |
|-----|--------------|----------------------|-----|---------------|------|-------|--------|
| 1 | 26210J05F000 | CRANKCASE ASSY RH | 1 | | | | |
| 2 | 26501H03F000 | BUSH | 1 | | | | |
| 3 | 26206J05F910 | BOLT | 2 | | | | |
| 4 | 14206J01F000 | PIN DOWEL | 2 | | | | |
| 5 | B04170000653 | NUT | 3 | | | | |
| 6 | 26313J05F930 | SCREW | 3 | | | | |
| 7 | 26314J05F910 | PLATE,stainer | 1 | | | | |
| 8 | 26209J05F000 | O RING | 1 | | | | |
| 9 | 26311J05F000 | CAP,oil pump | 1 | | | | |
| 10 | B01090601583 | BOLT | 2 | | | | |
| 11 | 26217J05F000 | ROLLER BEARING | 1 | | | | |
| 12 | B12016620350 | ROLLER BEARING | 1 | | | | |
| 13 | B12016620250 | ROLLER BEARING | 1 | | | | |
| 14 | 26106H03F000 | OIL SEAL | 1 | | | | |
| 15 | 26102G03F000 | O RING | 1 | | | | |
| 16 | 26101J05F000 | COVER LH,small | 1 | | | | |
| 17 | 26130J05F000 | OIL SEAL | 1 | | | | |
| 18 | 26110J05F000 | CRANKCASE ASSY | 1 | | | | |
| 19 | 315109019010 | O RING | 2 | | | | |
| 20 | 26107J05F910 | BOLT | 2 | | | | |
| 21 | 26501H03F000 | BUSH | 1 | | | | |
| 22 | 26502G02F000 | BUSH,ENGINE MOUNTING | 1 | | | | |
| 23 | 26128J05F000 | PIN DOWEL | 2 | | | | |

E01-2 CRANKCASE ASSY

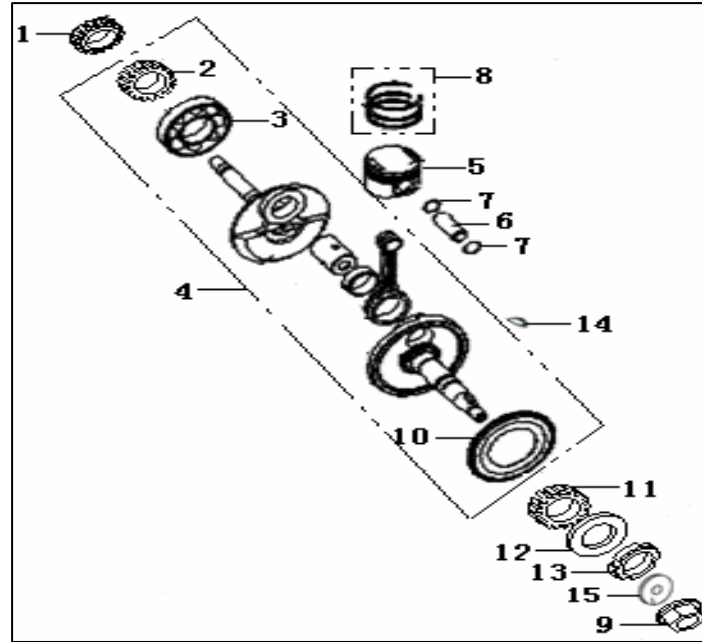
GENERIC XOR 125



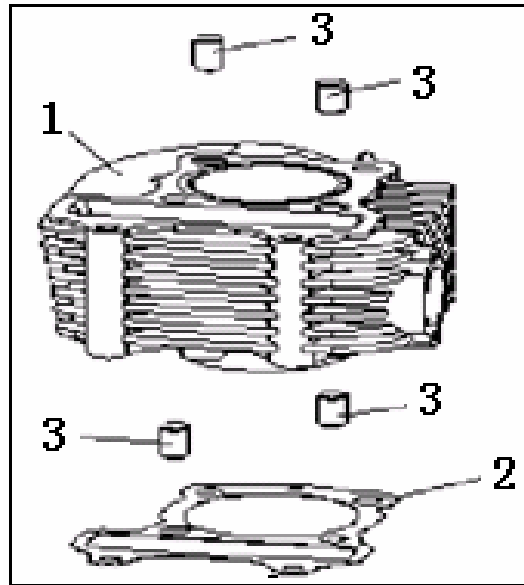
| NO. | PART NO. | DESCRIPTION | QTY | DESIGN CHANGE | DATE | APPLY | REMARK |
|-----|---------------|------------------|-----|---------------|------|-------|--------|
| 24 | 26105J05F000 | PIPE,breather | 1 | | | | |
| 25 | 201227.002371 | CLIP | 1 | | | | |
| 26 | 206103.001000 | HOSE,breather | 1 | | | | |
| 27 | 207224.001472 | CLIP | 1 | | | | |
| 28 | B01090801583 | BOLT | 2 | | | | |
| 29 | 26123G02F000 | PIN DOWEL | 2 | | | | |
| 30 | B04070000853 | NUT | 4 | | | | |
| 31 | B01090605083 | BOLT | 2 | | | | |
| 32 | 206210.001000 | GASKET,crankcase | 1 | | | | |
| 33 | 301310601865 | BOLT | 2 | | | | |
| 34 | 216216.001271 | PLATE,stopper | 1 | | | | |
| 35 | B01070601463 | BOLT | 1 | | | | |
| 36 | B01890801563 | SCREW | 2 | | | | |
| 37 | 18105H03F000 | BOLT | 2 | | | | |

E02 CRANKSHAFT & CONNECTING ROD & PISTON ASSY

GENERIC XOR 125



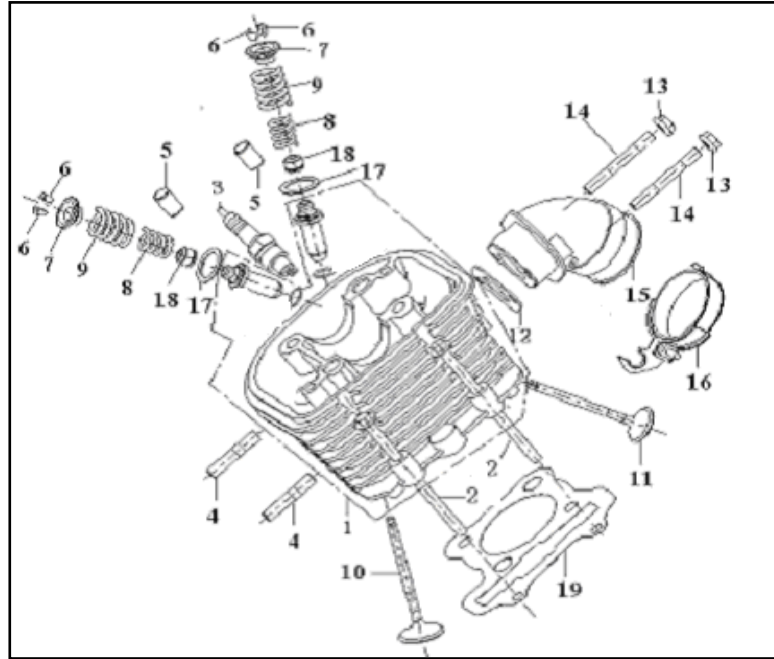
| NO. | PART NO. | DESCRIPTION | QTY | DESIGN CHANGE | DATE | APPLY | REMARK |
|-----|---------------|-------------------------|-----|---------------|------|-------|--------|
| 1 | 15231J05F000 | GEAR,starter driven | 1 | | | | |
| 2 | 15232J05F000 | SPROCKET,cam chain | 1 | | | | |
| 3 | 15210J05F000 | ROLLING BEARING | 1 | | | | |
| 4 | 15200J05F000 | CRANKSHAFT &CONROD ASSY | 1 | | | | |
| 5 | 208300.021062 | PISTON | 1 | | | | |
| 6 | 15105H03F000 | PIN,piston | 1 | | | | |
| 7 | 208308.004161 | CLIP | 2 | | | | |
| 8 | 15120H03F000 | piston ring assy | 1 | | | | |
| 9 | 15206J05F000 | NUT,lock | 1 | | | | |
| 10 | 15227J05F000 | PLATE,oil reverse | 1 | | | | |
| 11 | 15208J05F000 | SPROCKET, | 1 | | | | |
| 12 | 15209J05F000 | FLAT WASHER | 1 | | | | |
| 13 | 208224.001161 | NUT | 1 | | | | |
| 14 | 15101J01F000 | KEY | 1 | | | | |
| 15 | B07030001200 | WASHER | 1 | | | | |



| NO. | PART NO. | DESCRIPTION | QTY | DESIGN CHANGE | DATE | APPLY | REMARK |
|-----|---------------|-----------------|-----|----------------------|------|-------|--------|
| 1 | 204200.019000 | CYLINDER COMP | 1 | | | | |
| 2 | 204204.010000 | GASKET,cylinder | 1 | | | | |
| 3 | 27105H03F000 | PIN DOWEL | 4 | OLD NR: 14107J05F000 | | | |

E04 CYLINDER HEAD ASSY

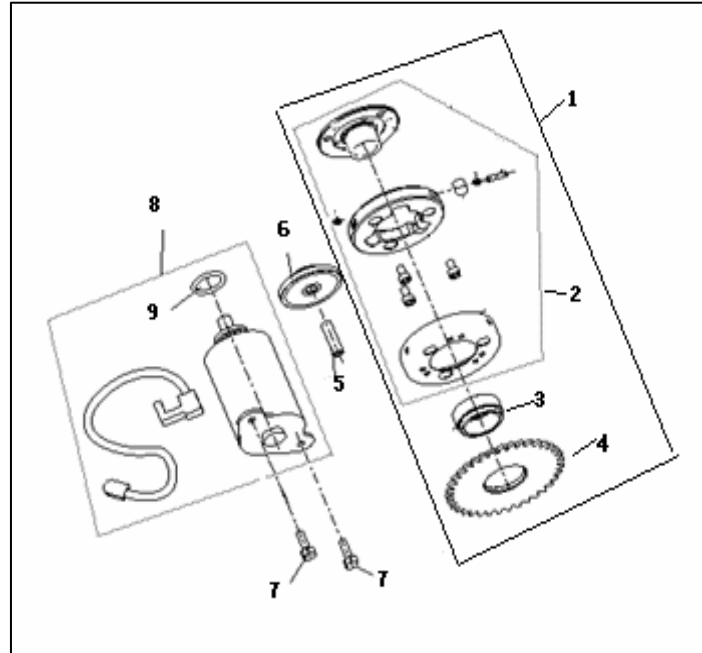
GENERIC XOR 125



| NO. | PART NO. | DESCRIPTION | QTY | DESIGN CHANGE | DATE | APPLY | REMARK |
|-----|---------------|--------------------------|-----|----------------------|------|-------|--------|
| 1 | 201100.072000 | CYLINDER HEAD | 1 | | | | |
| 2 | 30504H03F000 | BOLT | 2 | | | | |
| 3 | 201204.009000 | SPARK PLUG | 1 | | | | |
| 4 | 201216.002472 | STUD BOLT | 2 | | | | |
| 5 | 27105H03F000 | PIN DOWEL | 2 | OLD NR: 14107J05F000 | | | |
| 6 | 30108J05F000 | COTTER, valve | 4 | | | | |
| 7 | 30106J05F930 | UPPER SEAT, valve spring | 2 | | | | |
| 8 | 30102J05F930 | SPRING, inner | 2 | | | | |
| 9 | 30101J05F930 | SPRING, outer | 2 | | | | |
| 10 | 30201J05F000 | EXHAUST VALVE | 1 | | | | |
| 11 | 30103J05F000 | INLET VALVE | 1 | | | | |
| 12 | 30112J05F000 | GASKET, insulator | 1 | | | | |
| 13 | 304290600065 | NUT | 2 | | | | |
| 14 | 201216.006472 | STUD BOLT | 2 | | | | |
| 15 | 202100.020000 | INSULATOR, carburetor | 1 | | | | |
| 16 | 202104.002472 | CLAMP | 1 | | | | |
| 17 | 30208H03F930 | WASHER OUT SPRING VALVE | 1 | OLD NR: 30105J05F000 | | | |
| 18 | 30205H03F000 | OIL SEAL | 2 | | | | |
| 19 | 30503J05F000 | GASKET, cylinder head | 1 | | | | |

E05 ELECTRIC STARTER ASSY

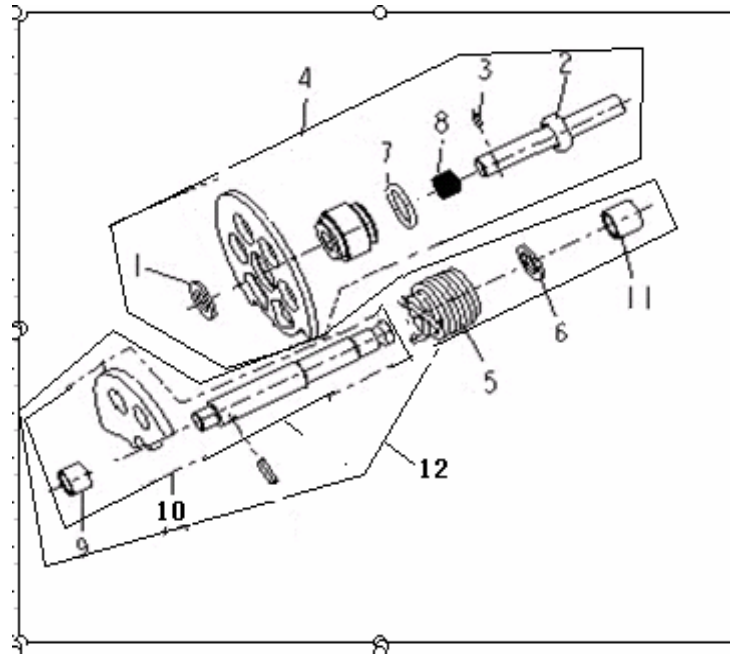
GENERIC XOR 125



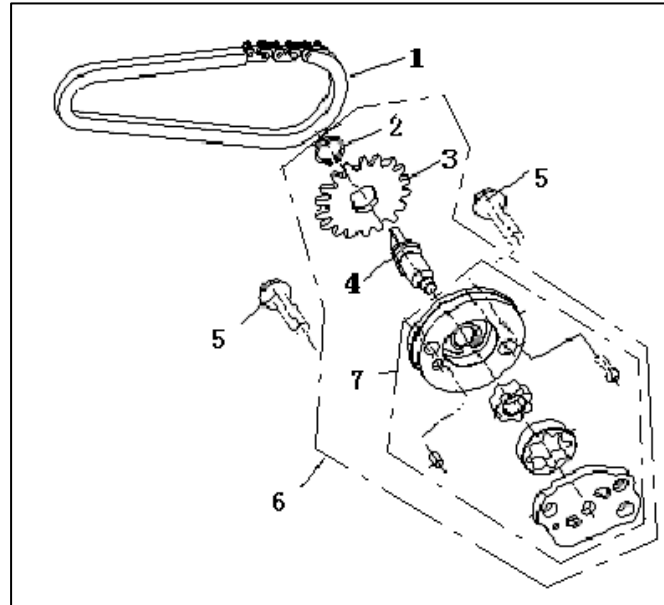
| NO. | PART NO. | DESCRIPTION | QTY | DESIGN CHANGE | DATE | APPLY | REMARK |
|-----|---------------|--------------------------------|-----|---------------|------|-------|--------|
| 1 | 34400J05F000 | CLUTCH SET, starter | 1 | | | | |
| 2 | 34110J05F000 | CLUTCH COMP | 1 | | | | |
| 3 | 34124H03F000 | BEARING, needle | 1 | | | | |
| 4 | 218100.011371 | GEAR COMP, starter clutch | 1 | | | | |
| 5 | 34146J05F000 | SHAFT, shaft starter idle gear | 1 | | | | |
| 6 | 34141J05F000 | GEAR, starter idle | 1 | | | | |
| 7 | 301310601865 | BOLT | 2 | | | | |
| 8 | 218100.011472 | MOTOR ASSY, starting | 1 | | | | |
| 9 | 34254J05F000 | O RING | 1 | | | | |

E06 KICK STARTER ASSY

GENERIC XOR 125



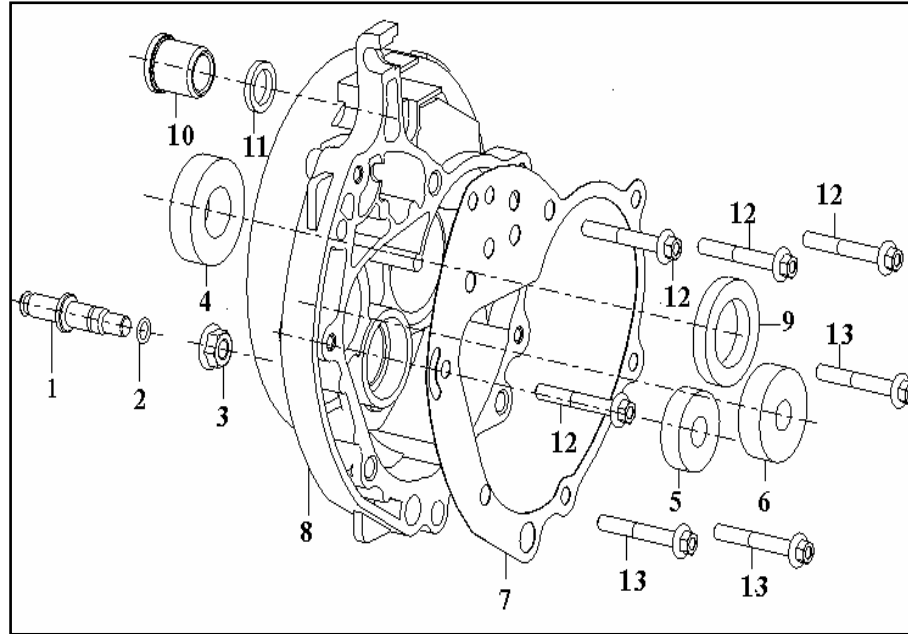
| NO. | PART NO. | DESCRIPTION | QTY | DESIGN CHANGE | DATE | APPLY | REMARK |
|-----|---------------|---------------------------|-----|---------------|------|-------|--------|
| 1 | 17805H03F000 | WASHER | 1 | | | | |
| 2 | 17811J05F000 | GEAR SHAFT | 1 | | | | |
| 3 | B090103008B0 | PIN | 1 | | | | |
| 4 | 17806J05F000 | GEAR ASSY, starter | 1 | | | | |
| 5 | 17718J05F930 | TWEAK SPRING | 1 | | | | |
| 6 | 17402H03F000 | PLATE | 1 | | | | |
| 7 | 17809H03F000 | SPRING | 1 | | | | |
| 8 | 17412H03F000 | SPRING | 1 | | | | |
| 9 | 17433H03F000 | BEARING COVER, starter I | 1 | | | | |
| 10 | 17400J05F000 | SHAFT ASSY, starter | 1 | | | | |
| 11 | 17434H03F000 | BEARING COVER, starter II | 1 | | | | |
| 12 | 216100.101000 | KICK STARTER ASSY | 1 | | | | |



| NO. | PART NO. | DESCRIPTION | QTY | DESIGN CHANGE | DATE | APPLY | REMARK |
|-----|---------------|--------------------------|-----|---------------|------|-------|--------|
| 1 | 19114J05F000 | CHAIN OIL PUMP | 1 | | | | |
| 2 | B08010001000 | WASHER | 1 | | | | |
| 3 | 19110J05F000 | SPROCKET,oil pump driven | 1 | | | | |
| 4 | 19107J05F000 | SHAFT,oil pump | 1 | | | | |
| 5 | 301310602565 | BOLT M6X25 | 2 | | | | |
| 6 | 19000J05F000 | OLL PUMP ASSY | 1 | | | | |
| 7 | 219100.029000 | OLL PUMP BODY ASSY | 1 | | | | |

E08 COVER GEAR BOX ASSY

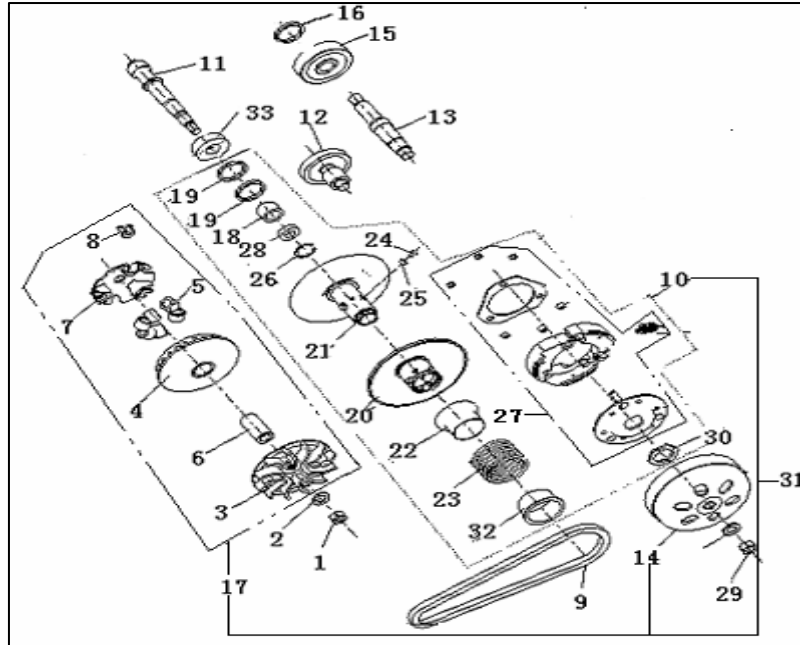
GENERIC XOR 125



| NO. | PART NO. | DESCRIPTION | QTY | DESIGN CHANGE | DATE | APPLY | REMARK |
|-----|---------------|-----------------|-----|---------------|------|-------|--------|
| 1 | 18114J05F930 | PIN | 1 | | | | |
| 2 | 18112H03F000 | O RING | 1 | | | | |
| 3 | B04170000853 | NUT | 1 | | | | |
| 4 | B12016600450 | ROLLER BEARING | 1 | | | | |
| 5 | B12016620150 | ROLLER BEARING | 1 | | | | |
| 6 | B12016630150 | ROLLER BEARING | 1 | | | | |
| 7 | 214201.002000 | GASKET,gear box | 1 | | | | |
| 8 | 18101J05F000 | COVER,gear box | 1 | | | | |
| 9 | 18102H03F000 | OIL SEAL | 1 | | | | |
| 10 | 18103J05F000 | BUSH | 1 | | | | |
| 11 | 18106J05F000 | OIL SEAL | 1 | | | | |
| 12 | 301310604565 | BOLT | 4 | | | | |
| 13 | B01070605561 | BOLT | 3 | | | | |

E09-1 CLUTCH ASSY

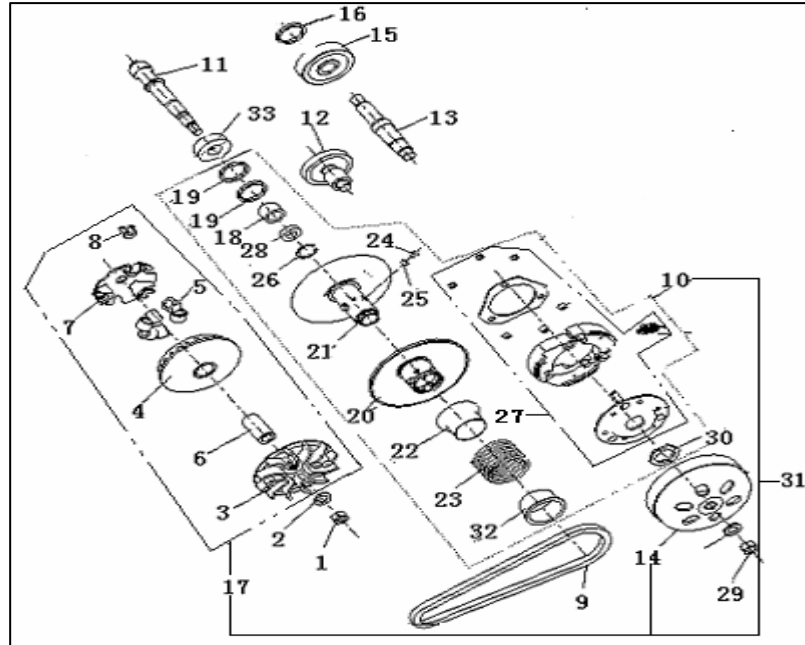
GENERIC XOR 125



| NO. | PART NO. | DESCRIPTION | QTY | DESIGN CHANGE | DATE | APPLY | REMARK |
|-----|---------------|-------------------------|-----|----------------------|------|-------|--------|
| 1 | 15206H03F000 | NUT | 1 | | | | |
| 2 | 15209H03F000 | WASHER | 2 | OLD NR: B07010001200 | | | |
| 3 | 24111J05F000 | FACE, fixed drive | 1 | | | | |
| 4 | 24101J05F000 | FACE COMP, fixed drive | 1 | | | | |
| 5 | 24120J05F000 | ROLLER | 6 | | | | |
| 6 | 24140J05F000 | COLLAR | 1 | | | | |
| 7 | 24151J05F930 | PLATE, movable drive | 1 | | | | |
| 8 | 24130J05F000 | DAMPER | 3 | | | | |
| 9 | 24160J05F000 | V BELT, drive | 1 | | | | |
| 10 | 24210J05F000 | DRIVEN PLATE ASSY | 1 | | | | |
| 11 | 214300.003000 | SHAFT ,drive | 1 | | | | |
| 12 | 214103.009000 | SHAFT ,idle | 1 | | | | |
| 13 | 17201J05F000 | SHAFT, rear axle | 1 | | | | |
| 14 | 24230H03F000 | HOUSING, clutch | 1 | | | | |
| 15 | 17217J05F000 | GEAR | 1 | | | | |
| 16 | B08010002000 | CIRCLIP | 1 | | | | |
| 17 | 24100J05F000 | DRIVE ASSY | 1 | | | | |
| 18 | 24203J05F000 | BEARING | 1 | | | | |
| 19 | 24216H03F000 | OIL SEAL | 2 | | | | |
| 20 | 24211H03F000 | FACE, movable driven | 1 | | | | |
| 21 | 24212J05F000 | FACE COMP, fixed driven | 1 | | | | |
| 22 | 24213H03F930 | SEAT, spring | 1 | | | | |
| 23 | 24240H03F000 | SPRING | 1 | | | | |

E09-2 CLUTCH ASSY

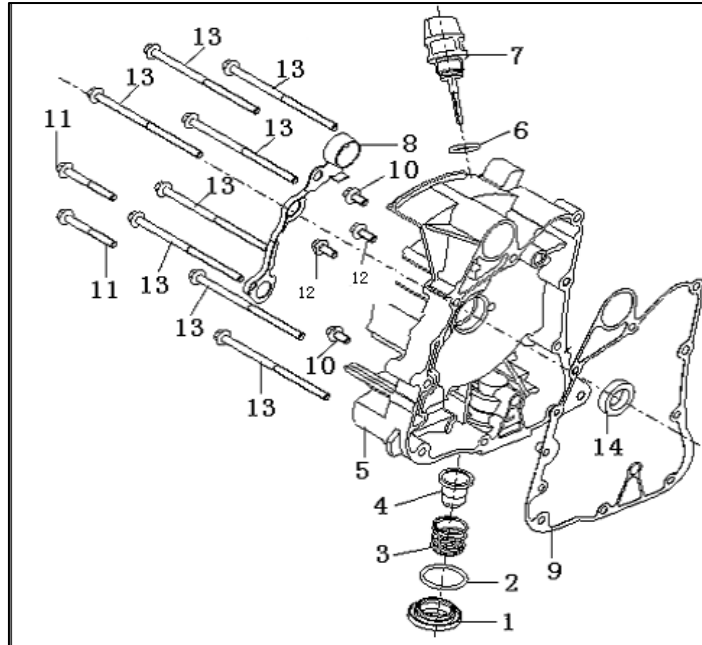
GENERIC XOR 125



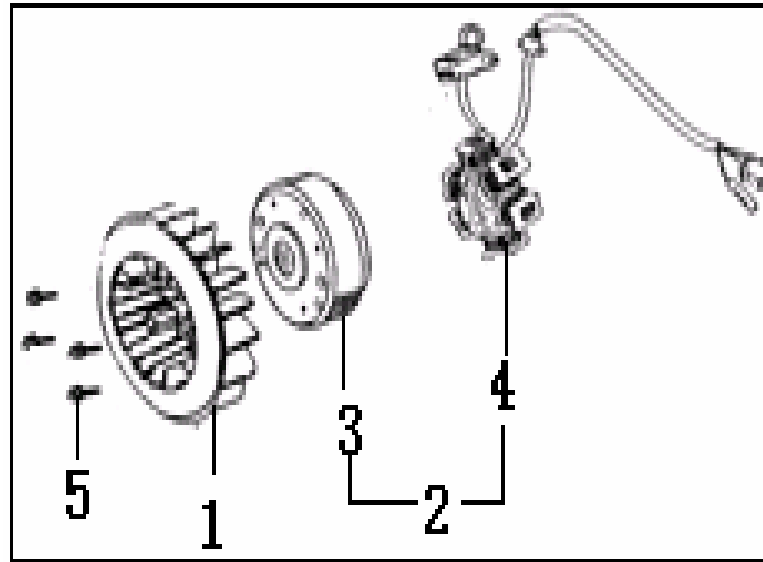
| NO. | PART NO. | DESCRIPTION | QTY | DESIGN CHANGE | DATE | APPLY | REMARK |
|-----|--------------|-------------------------|-----|---------------|------|-------|--------|
| 24 | 24246H03F000 | AXLE | 3 | | | | |
| 25 | 24217H03F000 | BEARING | 3 | | | | |
| 26 | B08000002600 | CIRCLIP | 1 | | | | |
| 27 | 24220H03F000 | PLATE ASSY, driven | 1 | | | | |
| 28 | 24245H03F000 | BEARING NSE NACHI JAPAN | 1 | | | | |
| 29 | 18330H03F930 | NUT | 1 | | | | |
| 30 | 24242H03F000 | NUT | 1 | | | | |
| 31 | 24001J05F000 | SHIFT ASSY | 1 | | | | |
| 32 | 24244H03F000 | SEAT, spring | 1 | | | | |
| 33 | B12016620450 | BEARING | 1 | | | | |

E10 COVERCASE RH ASSY

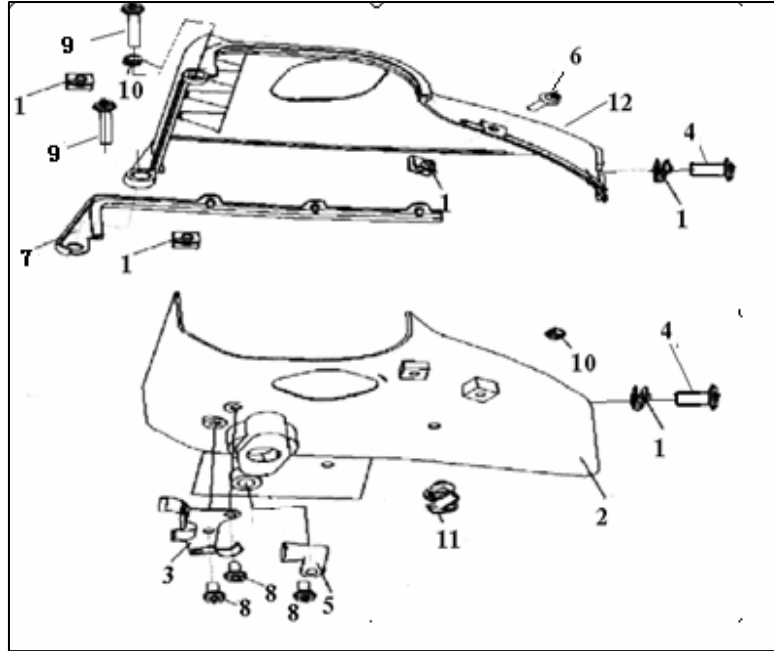
GENERIC XOR 125



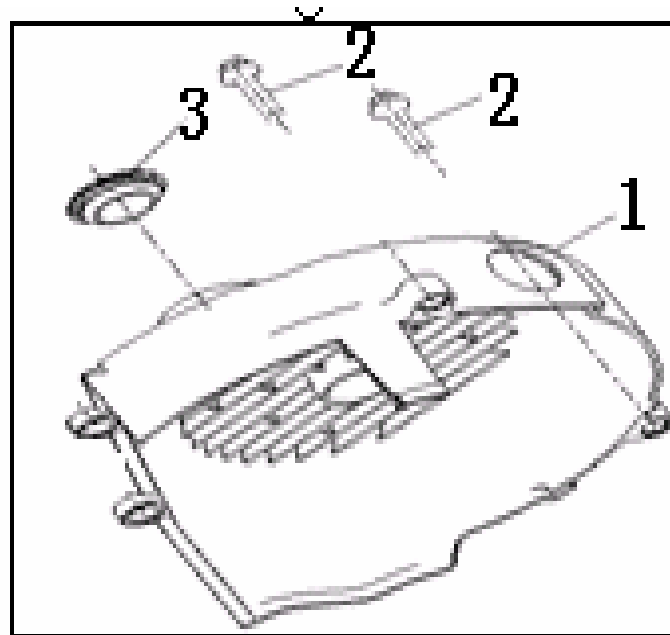
| NO. | PART NO. | DESCRIPTION | QTY | DESIGN CHANGE | DATE | APPLY | REMARK |
|-----|---------------|---------------------------|-----|---------------|------|-------|----------|
| 1 | 26306H03F000 | PLUG,drain | 1 | | | | |
| 2 | 26307H03F000 | O RING 30.8X3.2 | 1 | | | | 30.8*3,2 |
| 3 | 26305H03F000 | SPRING,stainer | 1 | | | | |
| 4 | 26308J01F000 | STRAINER,oil | 1 | | | | |
| 5 | 14201J05F000 | COVER,crankcase RH | 1 | | | | |
| 6 | 14215J01F000 | O RING | 1 | | | | |
| 7 | 207304.008081 | GAUGE,oil level | 1 | | | | |
| 8 | 14220J05F910 | CLIP | 1 | | | | |
| 9 | 207303.008000 | GASKET,crankcase cover RH | 1 | | | | |
| 10 | B01090601263 | BOLT | 2 | | | | |
| 11 | B01080501263 | BOLT | 2 | | | | |
| 12 | B01070602063 | BOLT | 2 | | | | |
| 13 | 30504H03F000 | BOLT | 8 | | | | |
| 14 | 26130J05F000 | OIL SEAL | 1 | | | | |



| NO. | PART NO. | DESCRIPTION | QTY | DESIGN CHANGE | DATE | APPLY | REMARK |
|-----|---------------|----------------|-----|---------------|------|-------|--------|
| 1 | 20401J05F000 | FAN ASSY | 1 | | | | |
| 2 | 223100.003000 | MAGNETO ASSY | 1 | | | | |
| 3 | 34301J05F000 | FLY WHEEL ASSY | 1 | | | | |
| 4 | 34310J05F000 | COIL ASSY | 1 | | | | |
| 5 | B01080601863 | BOLT | 4 | | | | |



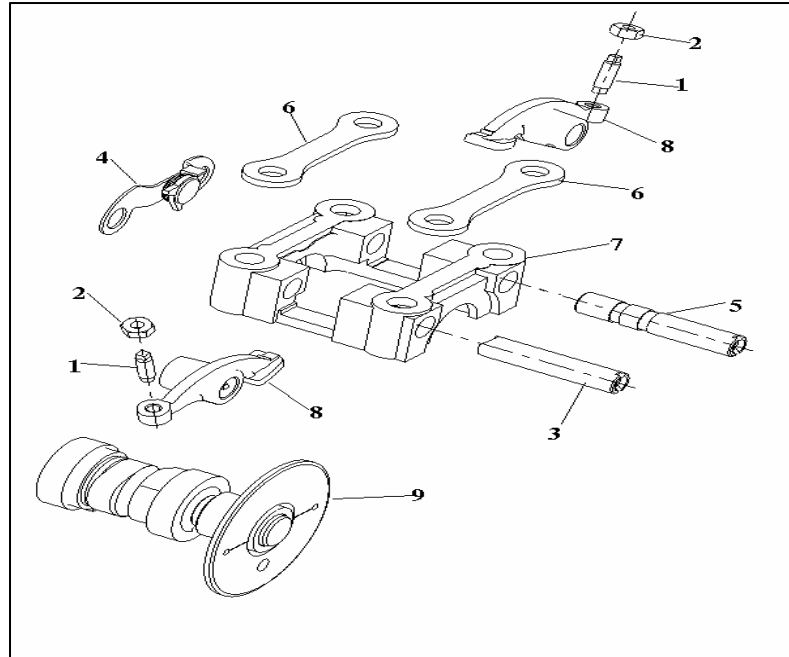
| NO. | PART NO. | DESCRIPTION | QTY | DESIGN CHANGE | DATE | APPLY | REMARK |
|-----|---------------|-------------------|-----|---------------|------|-------|--------|
| 1 | 20312J05F910 | CLIP | 4 | | | | |
| 2 | 222101.005000 | SHROUD,upper | 1 | | | | |
| 3 | 20308J05F000 | CLIP ASSY. | 1 | | | | |
| 4 | 301310601665 | SCREW | 2 | | | | |
| 5 | 222218.002472 | CLIP | 1 | | | | |
| 6 | 301310601665 | SCREW | 1 | | | | |
| 7 | 20306J05F000 | SEAL,lower shroud | 1 | | | | |
| 8 | B01090602563 | SCREW | 3 | | | | |
| 9 | 301310601665 | SCREW | 2 | | | | |
| 10 | 222223.002000 | DOWEL | 2 | | | | |
| 11 | 20313J05F000 | NENON CLIP | 1 | | | | |
| 12 | 222102.005000 | SHROUD,lower | 1 | | | | |



| NO. | PART NO. | DESCRIPTION | QTY | DESIGN CHANGE | DATE | APPLY | REMARK |
|-----|--------------|-------------|-----|---------------|------|-------|--------|
| 1 | 20201J05FT10 | COVER, fan | 1 | | | | |
| 2 | B01890602563 | SCREW | 2 | | | | |
| 3 | 20204J05F000 | CAP,OBSERVE | 2 | | | | |

E14 AIR MIX DEVICE

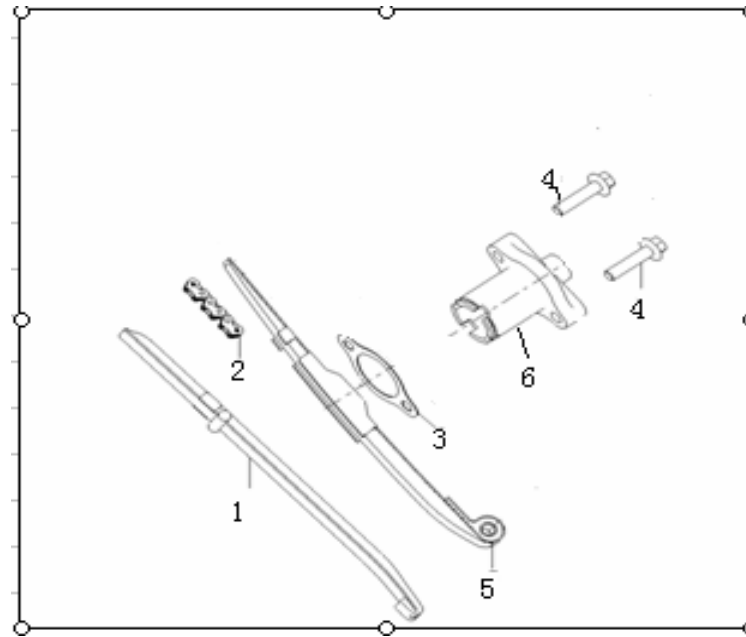
GENERIC XOR 125



| NO. | PART NO. | DESCRIPTION | QTY | DESIGN CHANGE | DATE | APPLY | REMARK |
|-----|---------------|----------------------------|-----|----------------------|------|-------|--------|
| 1 | 30303H03F000 | SCREW,tappet adjusting | 2 | | | | |
| 2 | 30302H03F930 | NUT,tappet adjusting | 2 | | | | |
| 3 | 203306.013063 | SHAFT , EXHAUST ROCKER ARM | 1 | | | | |
| 4 | 30600H03F000 | PLATE, stopper | 1 | | | | |
| 5 | 203102.002063 | ARM,inlet rocker arm | 1 | | | | |
| 6 | 30310J05F000 | GASKET,holder | 2 | | | | |
| 7 | 203406.003000 | HOLDER,cam shaft | 1 | OLD No: 30304J05F000 | | | |
| 8 | 30301J05F000 | ARM,rocker | 2 | | | | |
| 9 | 203103.004000 | CAMSHAFT ASSY | 1 | OLD No: 30420J05F000 | | | |

E15 CAM CHAIN & TENSIONER ASSY

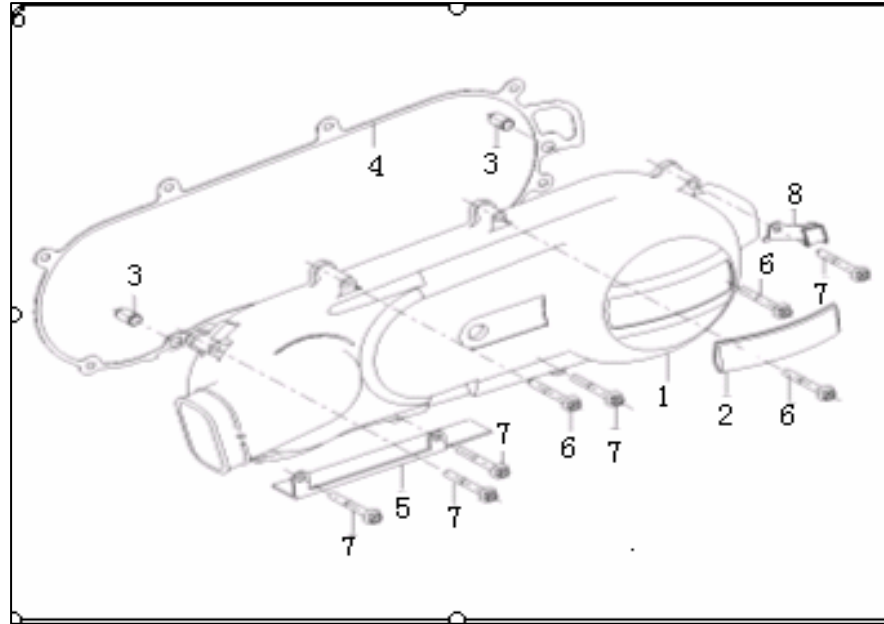
GENERIC XOR 125



| NO. | PART NO. | DESCRIPTION | QTY | DESIGN CHANGE | DATE | APPLY | REMARK |
|-----|---------------|-------------------|-----|---------------|------|-------|--------|
| 1 | 27421J05F000 | GUIDE CAM CHAIN | 1 | | | | |
| 2 | 27327J05F000 | CAM CHAIN | 1 | | | | |
| 3 | 205300.002000 | GASKET, tensioner | 1 | | | | |
| 4 | B01070602563 | SCREW | 2 | | | | |
| 5 | 27200J05F000 | GUIDE ASSY. | 1 | | | | |
| 6 | 27300J05F000 | TENSIONOR COMP | 1 | | | | |

E16 CRANKCASE COVER

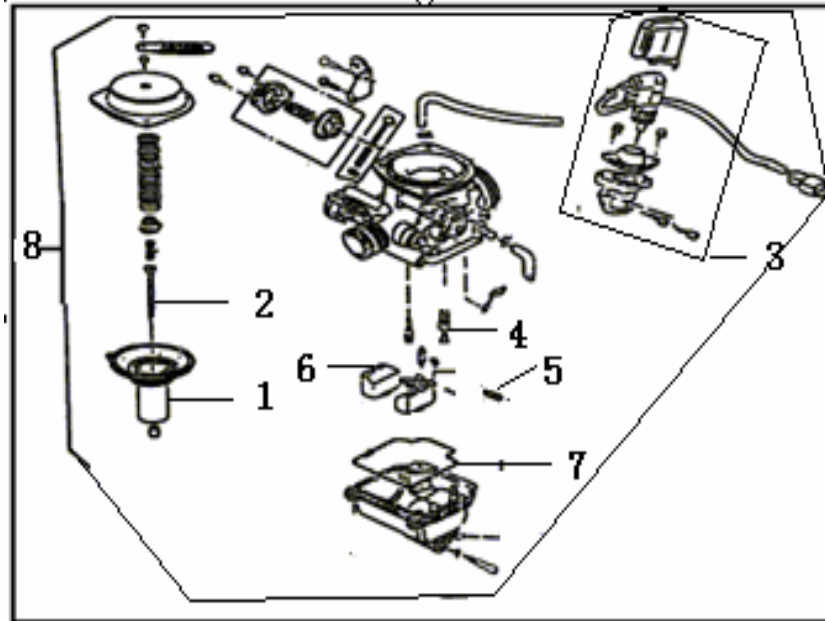
GENERIC XOR 125



| NO. | PART NO. | DESCRIPTION | QTY | DESIGN CHANGE | DATE | APPLY | REMARK |
|-----|---------------|---------------------|-----|----------------------|------|-------|--------|
| 1 | 207200.087000 | COVER,clutch | 1 | | | | |
| 2 | 207236.025000 | SIGN CARDS | 1 | | | | |
| 3 | 27105H03F000 | PIN DOWEL | 2 | OLD NR: 14107J05F000 | | | |
| 4 | 207208.007000 | GASKET, cankcase LH | 1 | | | | |
| 5 | 207225.004472 | PLATE, protector | 1 | | | | |
| 6 | 301310604565 | BOLT | 3 | | | | |
| 7 | 301310603565 | BOLT | 5 | | | | |
| 8 | 222218.003472 | CLIP | 1 | | | | |

E17 CARBURETOR ASSY

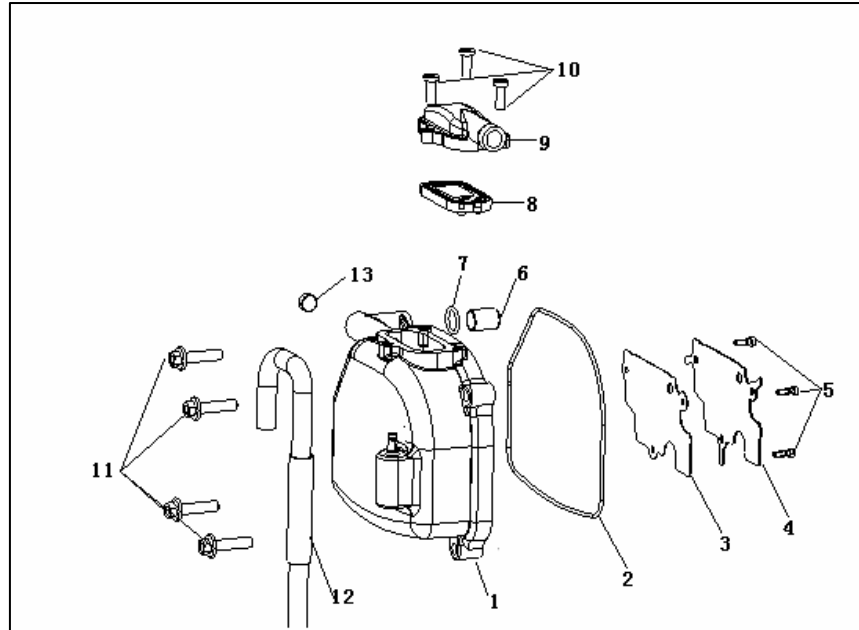
GENERIC XOR 125



| NO. | PART NO. | DESCRIPTION | QTY | DESIGN CHANGE | DATE | APPLY | REMARK |
|-----|---------------|-----------------------|-----|---------------------|------|-------|--------|
| 1 | 32506H03F000 | VALVE,PISTON | 1 | | | | |
| 2 | 224208.030000 | NEEDLE,Jet | 1 | | | | |
| 3 | 32612H03F000 | ENRICH VALVE | 1 | OLD No:32608H03F000 | | | |
| 4 | 224202.017000 | JET, main | 1 | | | | |
| 5 | 32621H03F000 | PIN, float | 1 | | | | |
| 6 | 32624H03F000 | FLOAT | 1 | | | | |
| 7 | 32701H03F000 | GASKET, float chamber | 1 | | | | |
| 8 | 224100.073000 | CARBURETOR ASSY | 1 | | | | |

E18 COVER, CYLINDER HEAD

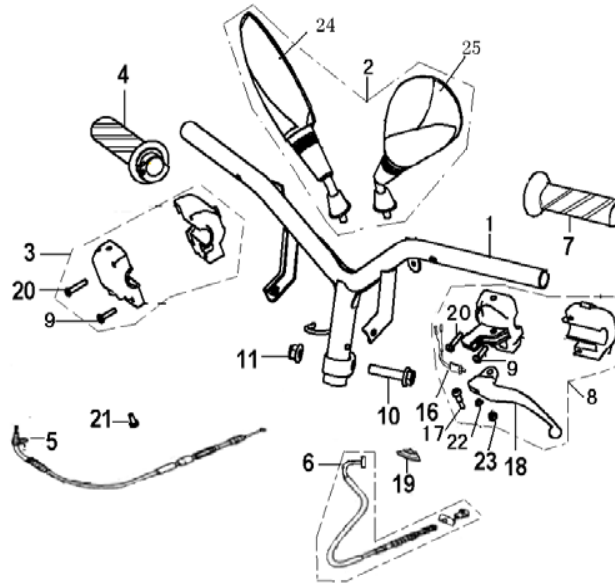
GENERIC XOR 125



| NO. | PART NO. | DESCRIPTION | QTY | DESIGN CHANGE | DATE | APPLY | REMARK |
|-----|---------------|----------------------|-----|-----------------------|------|-------|--------|
| 1 | 201300.046000 | COVER ,cylinder head | 1 | OLD No: 201300.033000 | | | |
| 2 | 201329.021000 | MOLD, COWLING | 1 | | | | |
| 3 | 201332.012000 | GASKET | 1 | | | | |
| 4 | 201217.003000 | HOLDER | 1 | | | | |
| 5 | 302210301062 | SCREW M3X10 | 3 | | | | |
| 6 | 26123G02F000 | PIN DOWEL | 1 | | | | |
| 7 | 315112020062 | O RING | 1 | | | | |
| 8 | 229108.001000 | REED VALVE ASSY | 1 | | | | |
| 9 | 201302.006000 | HOSE, BREATHER | 1 | | | | |
| 10 | 302270501462 | SCREW M5X14 | 3 | | | | |
| 11 | 301310602562 | BOLT M6X25 | 4 | | | | |
| 12 | 201110.004000 | HOSE,breather | 1 | | | | |
| 13 | 201223.010000 | STOPPER | 1 | | | | |

F01-1 STEERING HANDLE

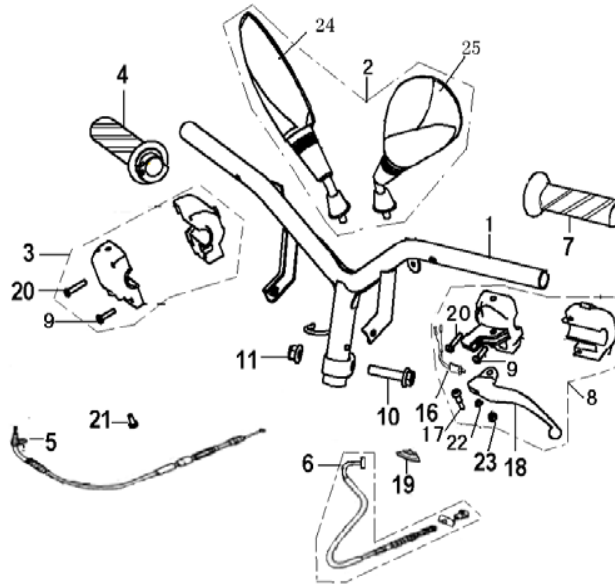
GENERIC XOR 125



| NO. | PART NO. | DESCRIPTION | QTY | DESIGN CHANGE | DATE | APPLY | REMARK |
|-----|--------------|--------------------------|-----|---------------|------|-------|--------|
| 1 | 40100BN0T000 | STEERING HANDLE COMP | 1 | | | | |
| 2 | 40450BMBTB42 | BACK MIRROR ASSY., | 1 | | | | |
| 3 | 40600BN0T000 | HANDLE SWITCH ASSY., RH | 1 | | | | |
| 4 | 40210BMBT000 | GRIP ,THROTTLE | 1 | | | | |
| 5 | 40300J5BT000 | CABLE ASSY,THROTTLE | 1 | | | | |
| 6 | 40270J5BT000 | CABLE ASSY,REAR BRAKE | 1 | | | | |
| 7 | 40001BMBT000 | GRIP,LEFT HANDLE | 1 | | | | |
| 8 | 40500BN0T000 | SWITCH ASSY, LEFT HANDLE | 1 | | | | |
| 9 | B02000502025 | PAN HEAD SCREW5X20 | 2 | | | | |
| 10 | B01091004565 | FLANGE BOLT 10X1.25X45 | 1 | | | | |
| 11 | B04171012565 | NUT 10X1.25 | 1 | | | | |
| 12 | 40610BN0T000 | SWITCH COMP., R. HANDLE | 1 | | | | |
| 13 | 40620BM0T000 | SWITCH HOLDER, R. HANDLE | 1 | | | | |
| 14 | 40510BN0T000 | SWITCH COMP., L. HANDLE | 1 | | | | |
| 15 | 40520BM0T000 | SWITCH HOLDER, L. HANDLE | 1 | | | | |
| 16 | 91600BMA000 | STOP SWITCH, L. HANDLE | 1 | | | | |
| 17 | 40004BMA000 | LEVER MOUNTING SCREW | 1 | | | | |
| 18 | 40002BMBT000 | BRAKE LEVER, L | 1 | | | | |
| 19 | 40008BM0T000 | JACKET, RR. BRAKE CABLE | 1 | | | | |
| 20 | B02000502525 | PAN HEAD SCREW5X25 | 2 | | | | |
| 21 | B02000501025 | PAN HEAD SCREW5X10 | 1 | | | | |
| 22 | B07000000505 | WASHER 5 | 1 | | | | |
| 23 | B04000500055 | NUT M5 | 1 | | | | |

F01-2 STEERING HANDLE

GENERIC XOR 125

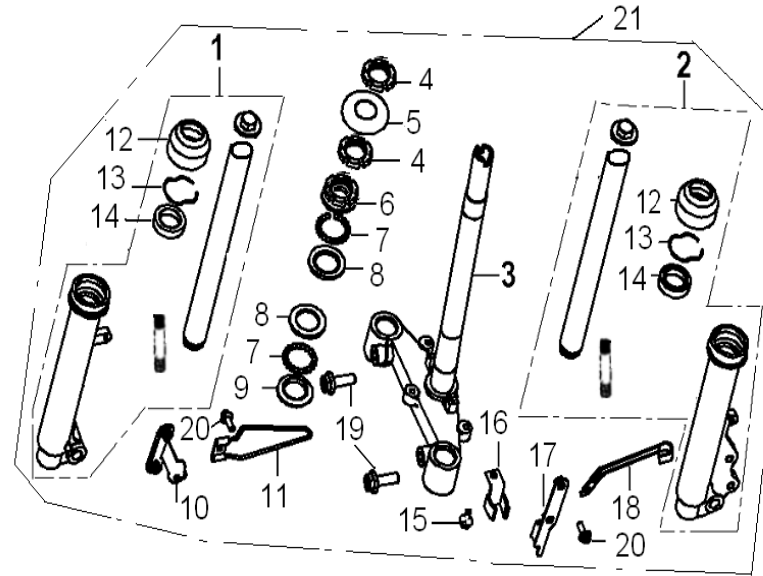


| NO. | PART NO. | DESCRIPTION | QTY | DESIGN CHANGE | DATE | APPLY | REMARK |
|-----|----------|-------------|-----|---------------|------|-------|--------|
|-----|----------|-------------|-----|---------------|------|-------|--------|

| | | | | | | | |
|----|--------------|-----------------------|---|--|--|--|--|
| 24 | 40470BMBTB42 | VIEW MIRROR R. E-MARK | 1 | | | | |
| 25 | 40460BMBTB42 | VIEW MIRROR L. E-MARK | 1 | | | | |

F02 FRONT FORK

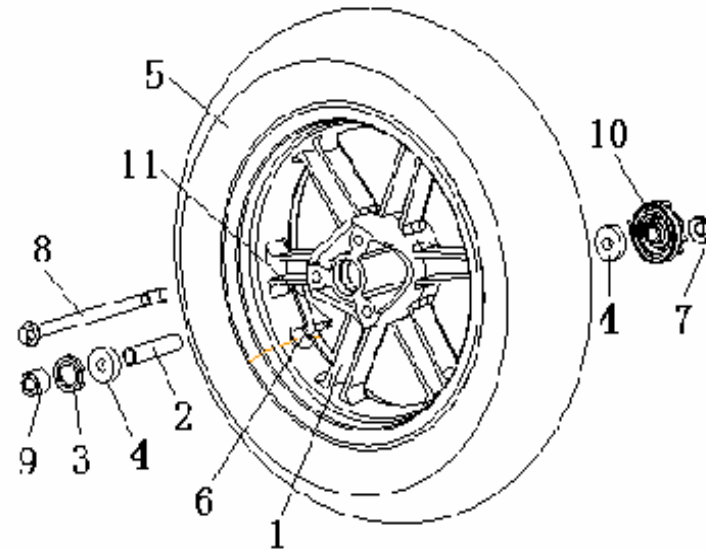
GENERIC XOR 125



| NO. | PART NO. | DESCRIPTION | QTY | DESIGN CHANGE | DATE | APPLY | REMARK |
|-----|--------------|-------------------------|-----|-----------------|------|-------|--------|
| 1 | 43300J4GT000 | FR. R.CUSHION ASS'Y. | 1 | | | | |
| 2 | 43200J4GT000 | FR. L. CUSHION ASS'Y. | 1 | | | | |
| 3 | 43100BMBT003 | STEM, STEERING | 1 | | | | |
| 4 | 43008BMAT000 | NUT II | 2 | | | | |
| 5 | 43005BMBT001 | BALL RACE COVER | 1 | | | | |
| 6 | 43001BMBT002 | BALL RACE, CONNECTING | 1 | | | | |
| 7 | B06010150000 | STEEL BALLφ5 | 42 | 1 Set = 42 pcs. | | | |
| 8 | 43003BMBT000 | BALL RACE, 2 | 2 | | | | |
| 9 | 43004BMBT000 | BALL RACE, 4 | 1 | | | | |
| 10 | 65140BMBT000 | R. BRACKET, FR.FENDER | 1 | | | | |
| 11 | 43150BMAT000 | CLIP, SPEEDOMETER CABLE | 1 | | | | |
| 12 | 43290K00P000 | DUST SEAL | 2 | | | | |
| 13 | 43207K00P000 | CLIP | 2 | | | | |
| 14 | 43260K00P000 | OIL SEAL | 2 | | | | |
| 15 | B01090601265 | BOLT M6 x 12 | 1 | | | | |
| 16 | 43035BMBT000 | HOLDER, BRAKE HOSE 2 | 1 | | | | |
| 17 | 65130BN0T000 | L. BRACKET, FR.FENDER | 1 | | | | |
| 18 | 43021BM0T003 | HOLDER, BRAKE HOSE 1 | 1 | | | | |
| 19 | B01091003065 | FLANGE BOLT 10X1.25X30 | 2 | | | | |
| 20 | B01070601665 | BOLT 6X16 | 2 | | | | |
| 21 | 43000J5BT000 | FRONT FORK ASS'Y. | 1 | | | | |

F03 FRONT WHEEL

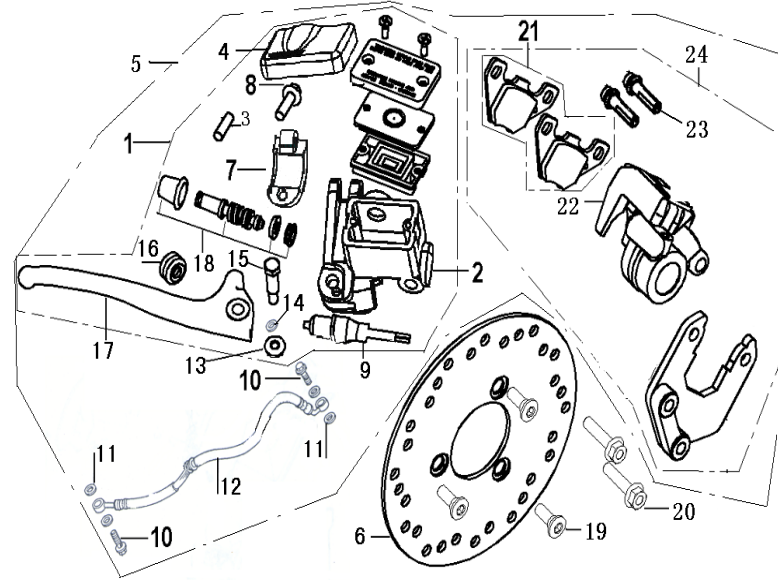
GENERIC XOR 125



| NO. | PART NO. | DESCRIPTION | QTY | DESIGN CHANGE | DATE | APPLY | REMARK |
|-----|--------------|---------------------------------|-----|---------------|------|-------|--------|
| 1 | 44100BM0T00A | RIM COMP., FRONT WHEEL | 1 | | | | |
| 2 | 44600BM0T910 | COLLAR, FRONT WHEEL | 1 | | | | |
| 3 | 44300BM0T000 | OIL SEAL 22X35X7, R. | 1 | | | | |
| 4 | B12016020100 | BALL BEARING 6201-2RS | 2 | | | | |
| 5 | B140107D12AB | TUBELESS TIRE 120/70-12(E MARK) | 1 | | | | |
| 6 | B1403Z201120 | VALVE | 1 | | | | |
| 7 | B04171212563 | FLANGE U NUT 12X1.25mm | 1 | | | | |
| 8 | 44004G4CT000 | AXLE , FR. WHEEL M12X1.25X224 | 1 | | | | |
| 9 | 44005BM0T000 | L. COLLAR, FRONT WHEEL | 1 | | | | |
| 10 | 44200J5BT000 | GEAR ASSY, SPEEDOMETER | 1 | | | | |
| 11 | B1404Z2011C0 | CAP, VALVE | 1 | | | | |

F04-1 FRONT DISK BRAKE

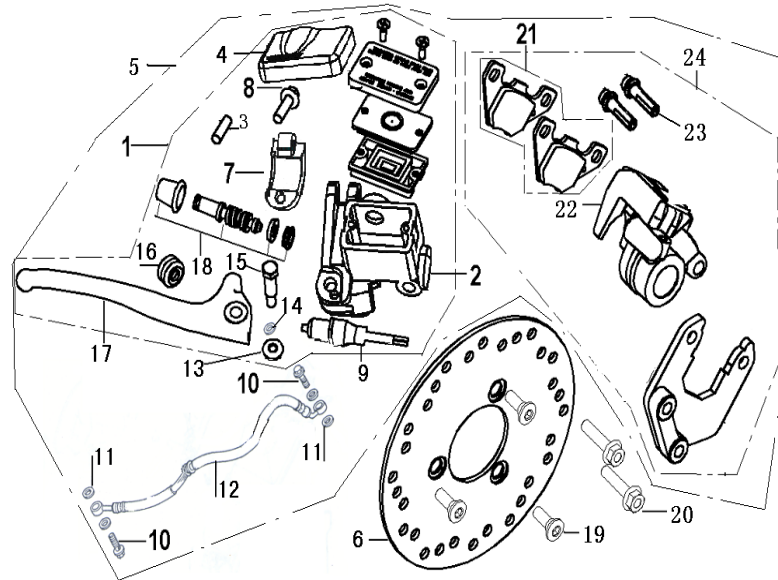
GENERIC XOR 125



| NO. | PART NO. | DESCRIPTION | QTY | DESIGN CHANGE | DATE | APPLY | REMARK |
|-----|--------------|-------------------------------|-----|---------------|------|-------|--------|
| 1 | 45400BN0TB30 | MASTER CYLINDER ASSY. | 1 | | | | |
| 2 | 45009BN0T000 | MASTER CYLINDER BODY | 1 | | | | |
| 3 | B090105022A5 | COLUMN PIN | 1 | | | | |
| 4 | 45079BN0T000 | COVER,CYLINDER | 1 | | | | |
| 5 | 45000BN0TRN0 | DISC BRAKE ASSY., FR | 1 | | | | |
| 6 | 45033BM0T001 | BRAKE DISC | 1 | | | | |
| 7 | 45023BN0T000 | BRACKET, MASTER CYLINDER | 1 | | | | |
| 8 | B01070602365 | BOLT M6X23 | 1 | | | | |
| 9 | 45300J3AT000 | STOP SWITCH, FRONT DISK BRAKE | 1 | | | | |
| 10 | 45037J00P000 | UNION BOLT | 2 | | | | |
| 11 | 45029J00P000 | PLATE WASHER | 4 | | | | |
| 12 | 45200BMBT000 | FR. BRAKE HOSE | 1 | | | | |
| 13 | B04160600055 | NUT M6 | 1 | | | | |
| 14 | B07000000605 | SPRING WASHER 6 | 1 | | | | |
| 15 | 40024J1CT000 | BOLT M6, R. BRAKE LEVER | 1 | | | | |
| 16 | 45057GOKP000 | TENSION SPRING ,LEVER | 1 | | | | |
| 17 | 45022BMBT001 | LEVER, FR. DISC BRAKE | 1 | | | | |
| 18 | 45140J00P000 | PISTON ASSY, MASTER CYLINDER | 1 | | | | |
| 19 | 45036JJ0T000 | BOLT | 3 | | | | |
| 20 | 45039J4FT000 | BOLT | 2 | | | | |

F04-2 FRONT DISK BRAKE

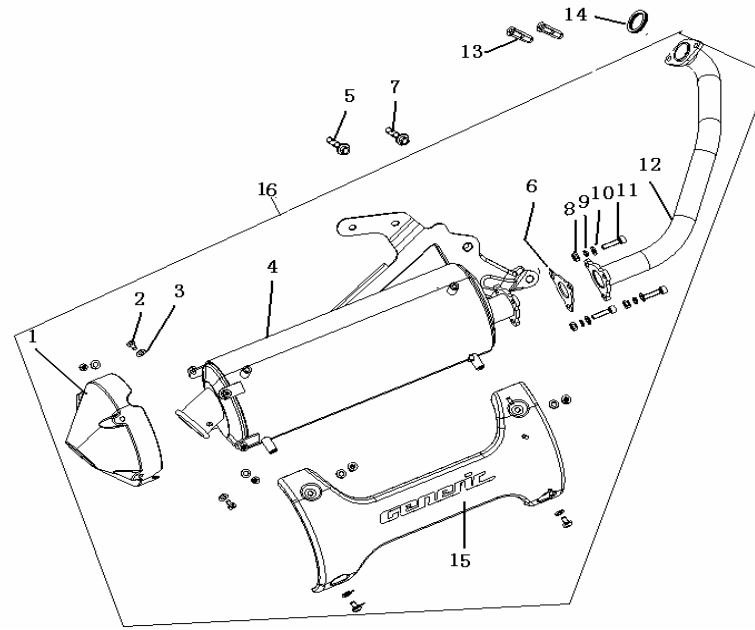
GENERIC XOR 125



| NO. | PART NO. | DESCRIPTION | QTY | DESIGN CHANGE | DATE | APPLY | REMARK |
|-----|--------------|--------------------|-----|---------------|------|-------|--------|
| 21 | 45110J4FT000 | BRAKE PAD SET | 1 | 1 Set = 2 pcs | | | |
| 22 | 45001J4FTRN0 | CALIPER BODY (RED) | 1 | | | | |
| 23 | 45053G0CP000 | GUIDE POLE | 2 | | | | |
| 24 | 45500J4FTRN0 | CALIPER ASSY. | 1 | | | | |

F05 MUFFLER

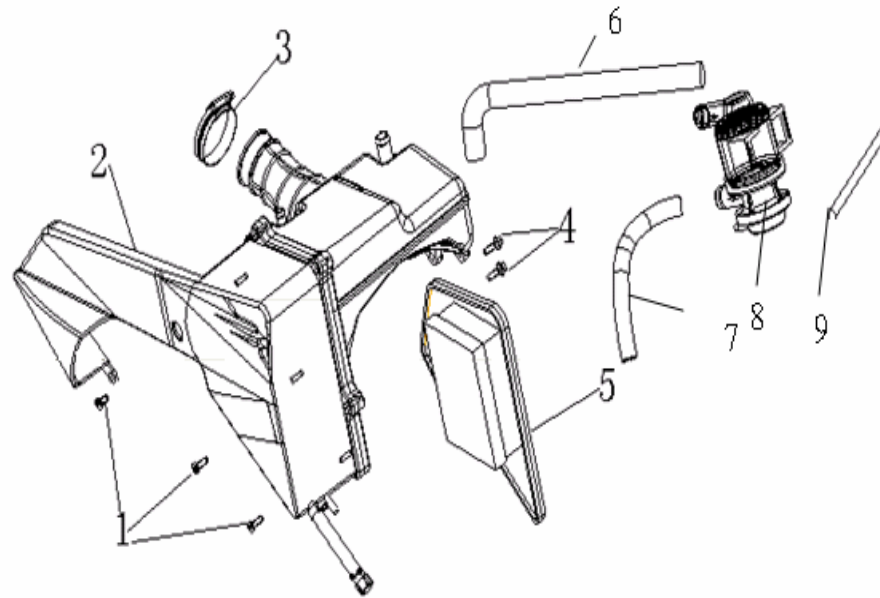
GENERIC XOR 125



| NO. | PART NO. | DESCRIPTION | QTY | DESIGN CHANGE | DATE | APPLY | REMARK |
|-----|--------------|-----------------------|-----|---------------|------|-------|--------|
| 1 | 47765BMNT000 | TRAIL COVER | 1 | | | | |
| 2 | B02000601024 | SCREW 6X10 | 8 | | | | |
| 3 | B07030000600 | WASHER | 8 | | | | |
| 4 | 47100J5BT001 | MUFFLER COMP. | 1 | 1B | | | |
| 4 | 47100T410003 | MUFFLER COMP. | 1 | 1A | | | |
| 5 | B01070803565 | BOLT, FLANGE 8X35 | 1 | | | | |
| 6 | 47740BMBT000 | GASKET, MUFFLER | 1 | | | | |
| 7 | B01070804565 | BOLT, FLANGE 8X45 | 1 | | | | |
| 8 | B04000600060 | NUT 6 | 3 | | | | |
| 9 | B07000000600 | SPRING WASHER 6 | 3 | | | | |
| 10 | B07030000600 | WASHER | 3 | | | | |
| 11 | B02050602560 | SCREW 6X25 | 3 | | | | |
| 12 | 47500J5BT002 | EXHAUST PIPE | 1 | 1B | | | |
| 12 | 47500J5BT000 | EXHAUST PIPE | 1 | 1A | | | |
| 13 | 47006J0ET000 | NUT | 2 | | | | |
| 14 | 47800J4AT000 | GASKET, EXHAUST PIPE | 1 | | | | |
| 15 | 47761BMNT001 | PROTECTOR A, MUFFLER | 1 | | | | |
| 16 | 47000T410003 | EXHAUST MUFFLER ASSY. | 1 | 1A | | | |
| 16 | 47000T410004 | EXHAUST MUFFLER ASSY. | 1 | 1B | | | |

F06 AIR CLEANER

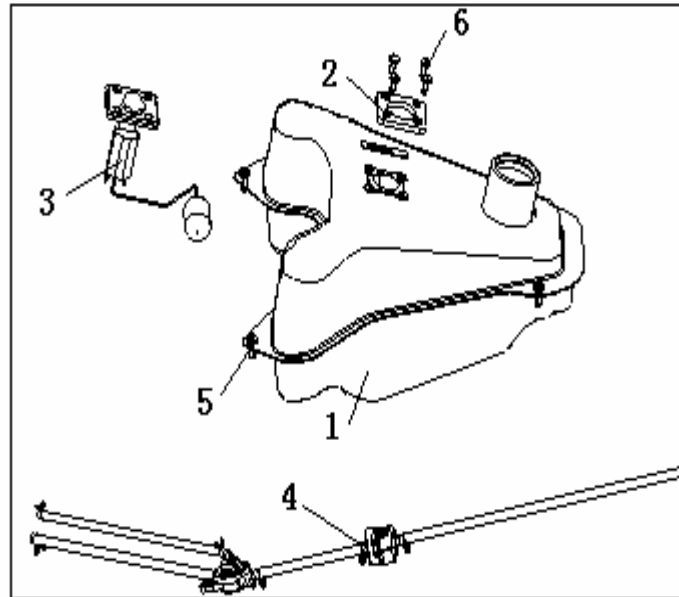
GENERIC XOR 125



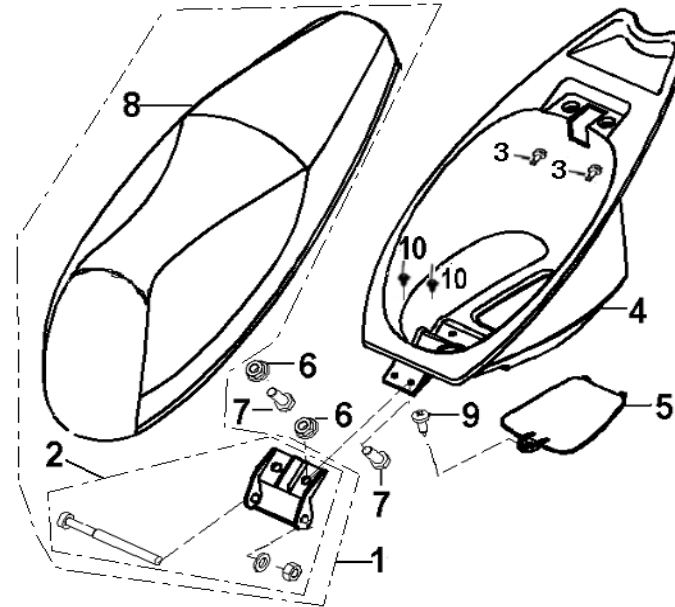
| NO. | PART NO. | DESCRIPTION | QTY | DESIGN CHANGE | DATE | APPLY | REMARK |
|-----|--------------|----------------------|-----|---------------|------|-------|--------|
| 1 | B01070501465 | BOLT 5X14 | 3 | | | | |
| 2 | 49000J5BT000 | AIR CLEANER ASSY. | 1 | | | | |
| 3 | 49350J3FT000 | CALIPERS ASSY. | 1 | | | | |
| 4 | B01090601665 | BOLT 6X16 | 2 | | | | |
| 5 | 49200J5BT000 | ELEMENT, AIR CLEANER | 1 | | | | |
| 6 | 49801J5BT000 | TUBEφ13X2.5 | 1 | | | | |
| 7 | 49802J5BT000 | TUBEφ13X2.5 | 1 | | | | |
| 8 | 49800J5BT000 | VALVE ASSY. | 1 | | | | |
| 9 | 49803J5BT000 | TUBEφ3.5X2 | 1 | | | | |

F07 FUEL TANK

GENERIC XOR 125



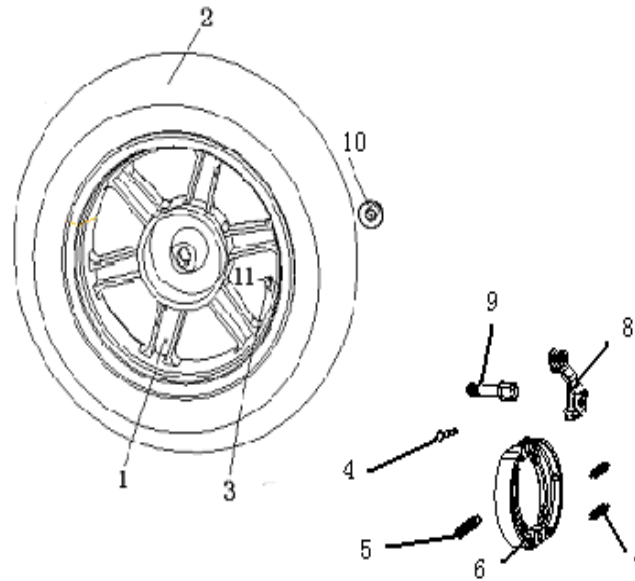
| NO. | PART NO. | DESCRIPTION | QTY | DESIGN CHANGE | DATE | APPLY | REMARK |
|-----|--------------|------------------------|-----|---------------|------|-------|--------|
| 1 | 50100J5BT000 | FUEL TANK COMP. | 1 | | | | |
| 2 | 50004BMAT000 | GASKET, FUEL UNIT | 1 | | | | |
| 3 | 50800J5BT001 | GAUGE ASSY, FUEL LEVEL | 1 | | | | |
| 4 | 50300J5BT000 | FUEL COCK ASSY. | 1 | | | | |
| 5 | B01090601265 | FLANGE BOLT M6X12 | 4 | | | | |
| 6 | B13010501405 | ASSY BOLT M5X14 | 4 | | | | |



| NO. | PART NO. | DESCRIPTION | QTY | DESIGN CHANGE | DATE | APPLY | REMARK |
|-----|--------------|------------------------|-----|---------------|------|-------|--------|
| 1 | 51001B30001Z | DOUBLE SEAT ASSY.COMP. | 1 | | | | |
| 2 | 51080BN0T000 | HINGE, SEAT, ASSY. | 1 | | | | |
| 3 | 08011H60X000 | BOLT M6X14 | 2 | | | | |
| 4 | 51004BN0T000 | LUGGAGE BOX COMP | 1 | | | | |
| 5 | 51005BN0T000 | COVER, LUGGAGE BOX | 1 | | | | |
| 6 | B04070600065 | NUT 6 | 2 | | | | |
| 7 | B02060601625 | BOLT M6X16 | 2 | | | | |
| 8 | 51100BN0T000 | DOUBLE SEAT, ASSY | 1 | | | | |
| 9 | B05074801305 | SCREW ST4.8X13mm | 1 | | | | |
| 10 | 08017J4AT000 | BOLT W/WASHER M6X20 | 2 | | | | |
| 11 | 51022J5BT000 | COVER, LUGGAGE BOX | 1 | | | | |

F09 REAR WHEEL

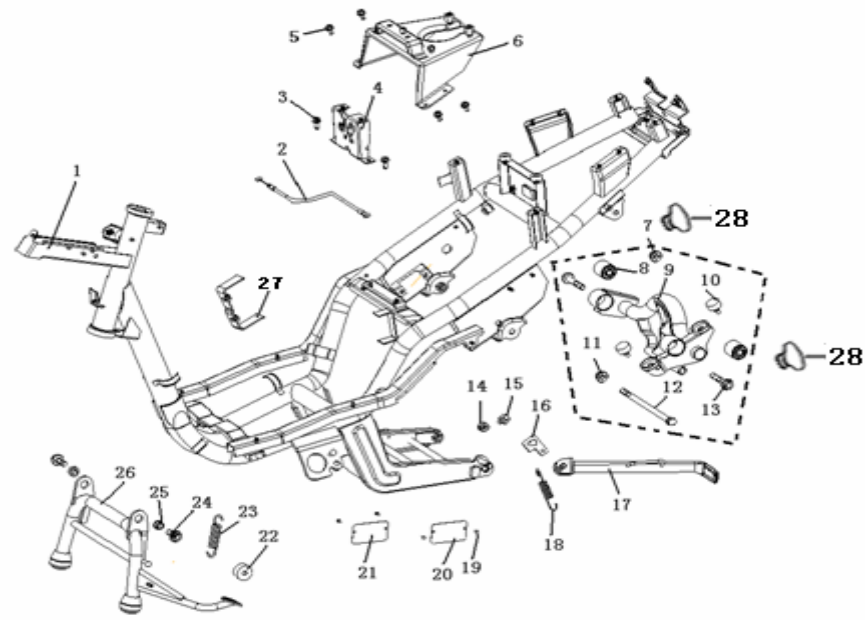
GENERIC XOR 125



| NO. | PART NO. | DESCRIPTION | QTY | DESIGN CHANGE | DATE | APPLY | REMARK |
|-----|--------------|---------------------------|-----|----------------|------|-------|--------|
| 1 | 54100J4FT00A | RR .RIMCOMP.3.5X12" BLACK | 1 | | | | |
| 2 | B140108D12BB | TIRE 130/70-12 | 1 | | | | |
| 3 | B1403Z201120 | RIM VALVE Z2-01-1 | 1 | | | | |
| 4 | B01090603565 | BOLT 6X35MM | 1 | | | | |
| 5 | 54008J4AT000 | TENSION SPRING | 1 | | | | |
| 6 | 54200J4AT000 | BRAKE SHOE (NO ASBESTOS) | 1 | 1 Set = 2 pcs. | | | |
| 7 | 54001J4AT000 | SPRING, BRAKE SHOE | 2 | | | | |
| 8 | 54250J4AT002 | CAM SHAFT LEVER, ASSY | 1 | | | | |
| 9 | 54003J4AT000 | CAM SHAFT, 2 | 1 | | | | |
| 10 | B04171601563 | U NUT 16X1.5MM | 1 | | | | |
| 11 | B1404Z2011C0 | CAP, VALVE | 1 | | | | |

F10-1 FRAME BODY

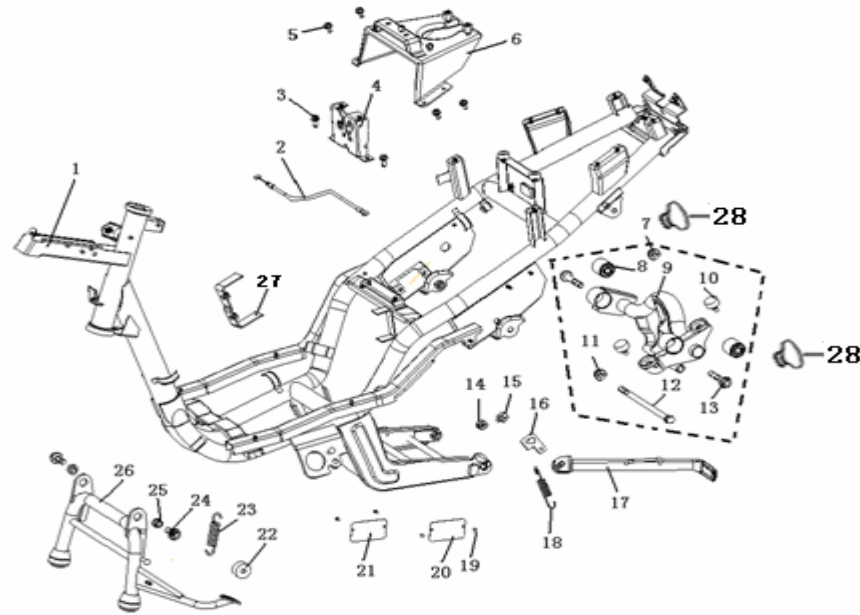
GENERIC XOR 125



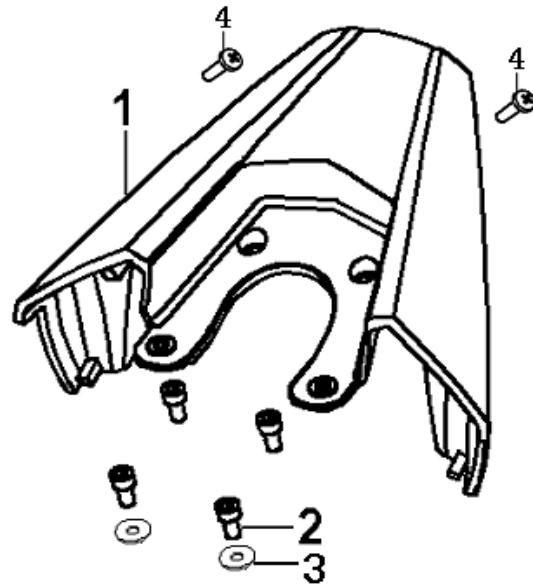
| NO. | PART NO. | DESCRIPTION | QTY | DESIGN CHANGE | DATE | APPLY | REMARK |
|-----|--------------|---------------------------|-----|---------------|------|-------|--------|
| 1 | 57100J5BT000 | FRAME COMP. | 1 | | | | |
| 2 | 58900J5BT000 | SEAT CABLE ASSY. | 1 | | | | |
| 3 | B01090602565 | FLANGE BOLT M6X25 | 2 | | | | |
| 4 | 58800BM0T000 | SEAT CATCH COMP. | 1 | | | | |
| 5 | B01090601665 | FLANGE BOLT M6X16 | 4 | | | | |
| 6 | 57080BN0T000 | CARRIER BRACKET | 1 | | | | |
| 7 | 58351J5BT000 | BUSH, LEFT | 1 | | | | |
| 8 | 58340J3AT000 | BUSH | 2 | | | | |
| 9 | 58320J5BT000 | HANGER LINK, ENGINE | 1 | | | | |
| 10 | 58302J5BT000 | BUFFER, RUBBER | 2 | | | | |
| 11 | B04171012565 | NUT | 1 | | | | |
| 12 | 58303J5BT000 | E/G MOUNTING BOLT, 2 | 1 | | | | |
| 13 | B01091005565 | FLANGE BOLT M10X55 | 2 | | | | |
| 14 | B04170800065 | NUT M8 | 1 | | | | |
| 15 | 57005BMBT000 | BOLT, SINGLE STAND | 1 | | | | |
| 16 | 57006BM0T000 | HOOK, SINGLE STAND SPRING | 1 | | | | |
| 17 | 58700J5BT000 | SINGLE STAND COMP. | 1 | | | | |
| 18 | 57010BM0T000 | SPRING ASSY, SINGLE STAND | 1 | | | | |
| 19 | B100432007P0 | RIVET3.2X7 | 2 | | | | |
| 20 | 57001J5BT000 | PLATE, LABEL | 1 | | | | |
| 21 | 57002J5BT000 | ANTI-TAMPERING PLATE | 1 | | | | |
| 22 | 58507J3FT000 | CUSHION, MID STAND | 1 | | | | |
| 23 | 58510BM0T000 | MAIN STAND SPRING ASSY. | 1 | | | | |

F10-2 FRAME BODY

GENERIC XOR 125



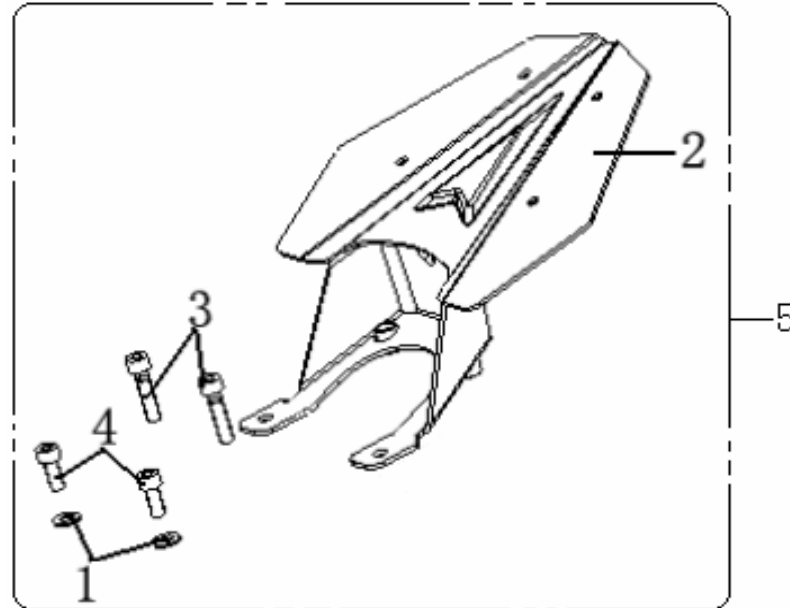
| NO. | PART NO. | DESCRIPTION | QTY | DESIGN CHANGE | DATE | APPLY | REMARK |
|-----|--------------|---------------------------|-----|---------------|------|-------|--------|
| 24 | B01091002565 | FLANGE BOLT M10X25 | 2 | | | | |
| 25 | 58509JA0T000 | BUSH | 2 | | | | |
| 26 | 58520J5BT000 | MAIN STAND JOINTING ASSY. | 1 | | | | |
| 27 | 59450J5BT000 | valve fixing ASSY. | 1 | | | | |
| 28 | 58353J4FT000 | CAP, DECORATION | 2 | | | | |



| NO. | PART NO. | DESCRIPTION | QTY | DESIGN CHANGE | DATE | APPLY | REMARK |
|-----|--------------|-----------------------|-----|---------------|------|-------|--------|
| 1 | 52011BN0TC10 | HANDRAIL(SILVER) | 1 | | | | |
| 1 | 52011BN0TB40 | HANDRAIL (BLACK) | 1 | | | | |
| 1 | 52011BN0TLE0 | HANDRAIL (BLUE) | 1 | | | | |
| 1 | 52011BN0TW50 | HANDRAIL(WHITE) | 1 | | | | |
| 1 | 52011BN0TM40 | HANDRAIL (YELLOW) | 1 | | | | |
| 1 | 52011B300010 | HANDRAIL (WHITE/BLUE) | 1 | | | | |
| 2 | B02050802065 | BOLT M8X20 | 4 | | | | |
| 3 | B07020000805 | WASHER 8 | 2 | | | | |
| 4 | B02060501225 | SCREW M5X12 | 2 | | | | |

F11-2 REAR CARRIER

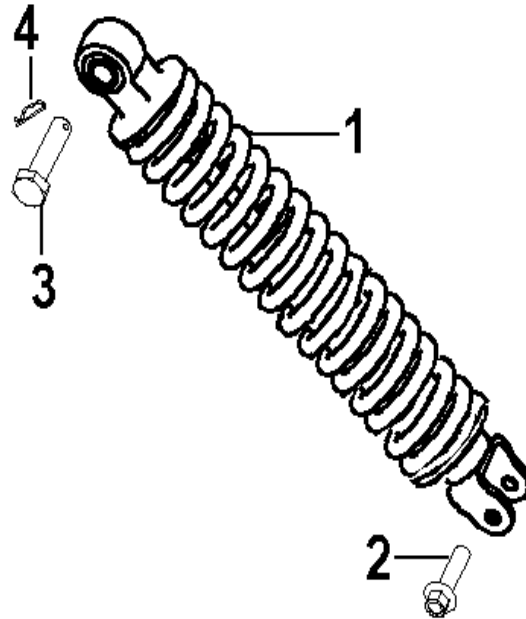
GENERIC XOR 125



| NO. | PART NO. | DESCRIPTION | QTY | DESIGN CHANGE | DATE | APPLY | REMARK |
|-----|--------------|-----------------------|-----|---------------|------|-------|--------|
| 1 | B07020000805 | WASHER 8 | 2 | | | | |
| 2 | 52100BN0T000 | REAR CARRIER | 1 | | | | |
| 3 | B02050803565 | BOLT M8X35 | 2 | | | | |
| 4 | B02050802065 | BOLT M8X20 | 2 | | | | |
| 5 | 52100B30001Z | REAR CARRIER ASSEMBLY | 1 | | | | |

F12 REAR ABSORBER

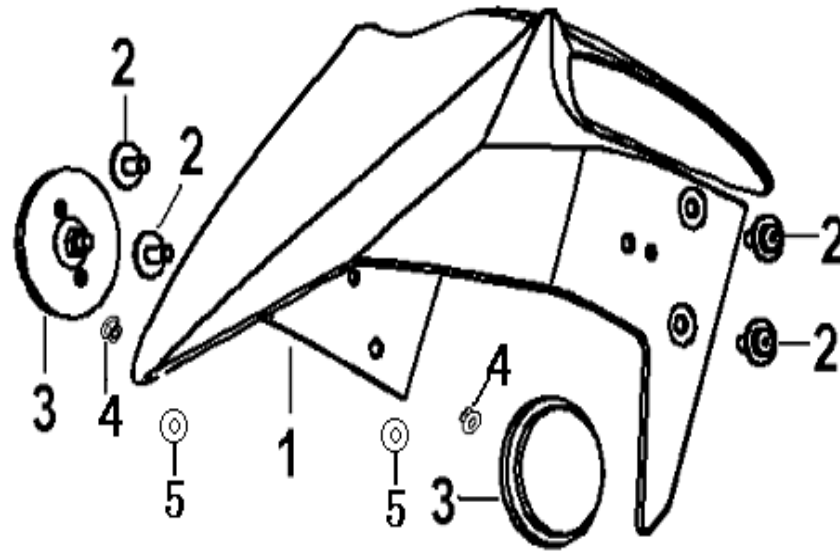
GENERIC XOR 125



| NO. | PART NO. | DESCRIPTION | QTY | DESIGN CHANGE | DATE | APPLY | REMARK |
|-----|--------------|-----------------------------|-----|---------------|------|-------|--------|
| 1 | 63100J4FT000 | RR. ABSORBER COMP., (BLACK) | 1 | | | | |
| 2 | 63015J0ET000 | FLANGE BOLT | 1 | | | | |
| 3 | B01141004063 | BOLT W/HOLE 10X1.25x40 | 1 | | | | |
| 4 | 63016B0DT000 | SPLIT PIN | 1 | | | | |

F13 FRONT FENDER

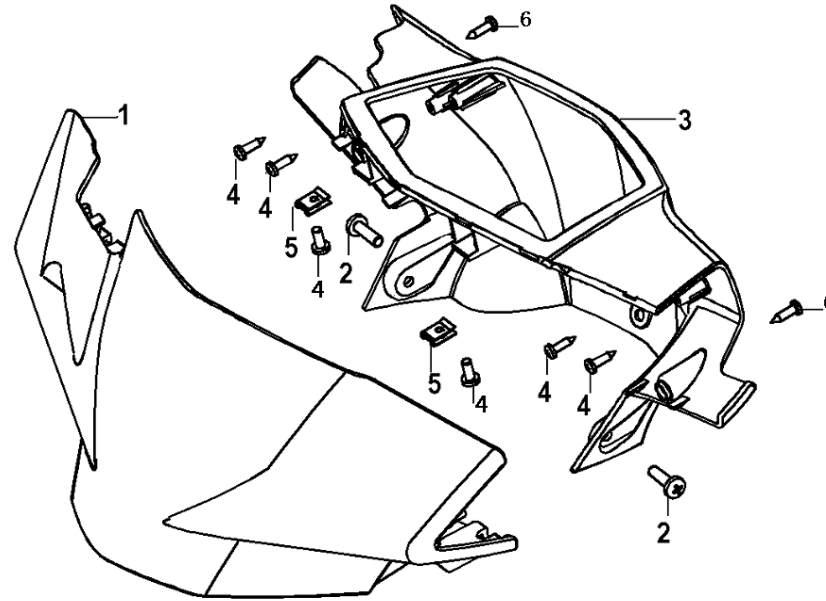
GENERIC XOR 125



| NO. | PART NO. | DESCRIPTION | QTY | DESIGN CHANGE | DATE | APPLY | REMARK |
|-----|---------------|------------------------|-----|---------------|------|-------|--------|
| 1 | 65101BN0TC10 | FRONT FENDER, (SILVER) | 1 | | | | |
| 1 | 65101BN0T0B40 | FRONT FENDER, (BLACK) | 1 | | | | |
| 1 | 65101BN0TLE0 | FRONT FENDER, (BLUE) | 1 | | | | |
| 1 | 65101BN0TW50 | FRONT FENDER, (WHITE) | 1 | | | | |
| 1 | 65101BN0TM40 | FRONT FENDER, (YELLOW) | 1 | | | | |
| 1 | 65101BN0TEG0 | FRONT FENDER, (BLUE) | 1 | | | | |
| 2 | 65114BMBT000 | SCREW WITH WASHER 6X16 | 4 | | | | |
| 3 | 86300BMMT000 | FR. REFLECTOR(E-MARK) | 2 | | | | |
| 4 | B04000500063 | NUT M5 | 2 | | | | |
| 5 | B07030000503 | WASHER 5 | 2 | | | | |

F14 HANDLE COVER

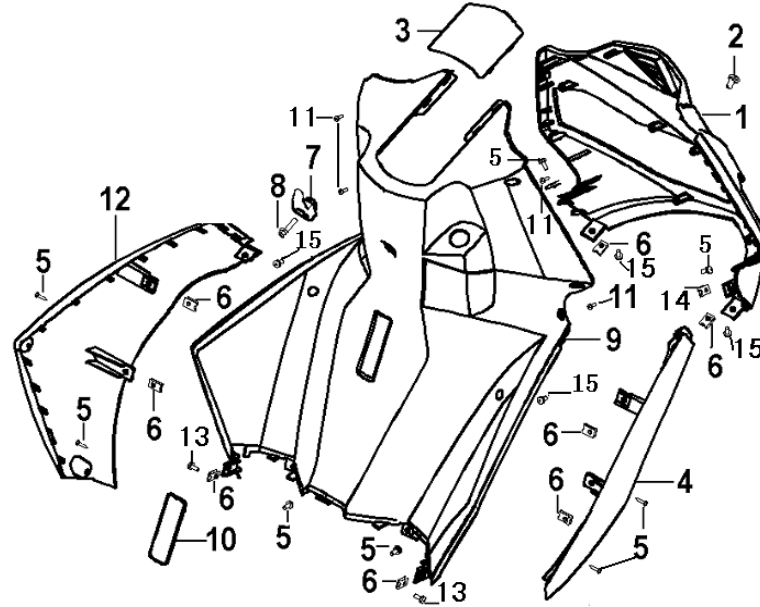
GENERIC XOR 125



| NO. | PART NO. | DESCRIPTION | QTY | DESIGN CHANGE | DATE | APPLY | REMARK |
|-----|--------------|-------------------------------|-----|---------------|------|-------|--------|
| 1 | 65201BN0TC10 | HANDLE COVER,FR(SILVER) | 1 | | | | |
| 1 | 65201BN0TB40 | HANDLE COVER,FR(BLACK) | 1 | | | | |
| 1 | 65201BN0TLE0 | HANDLE COVER,FR(BLUE) | 1 | | | | |
| 1 | 65201BN0TW50 | HANDLE COVER,FR(WHITE) | 1 | | | | |
| 1 | 65201BN0TM40 | HANDLE COVER,FR(YELLOW) | 1 | | | | |
| 1 | 65201B300010 | HANDLE COVER,FR(WHITE/SILVER) | 1 | | | | |
| 2 | B13010602005 | SCREW 6X20 | 2 | | | | |
| 3 | 65202BN0T000 | HANDLE COVER,RR | 1 | | | | |
| 4 | B05070401605 | TAPPING SCREW 4X16 | 6 | | | | |
| 5 | 65801BMAT000 | CLIP NUT | 2 | | | | |
| 6 | B05070401205 | TAPPING SCREW 4X12 | 2 | | | | |

F15-1 FRONT COVER

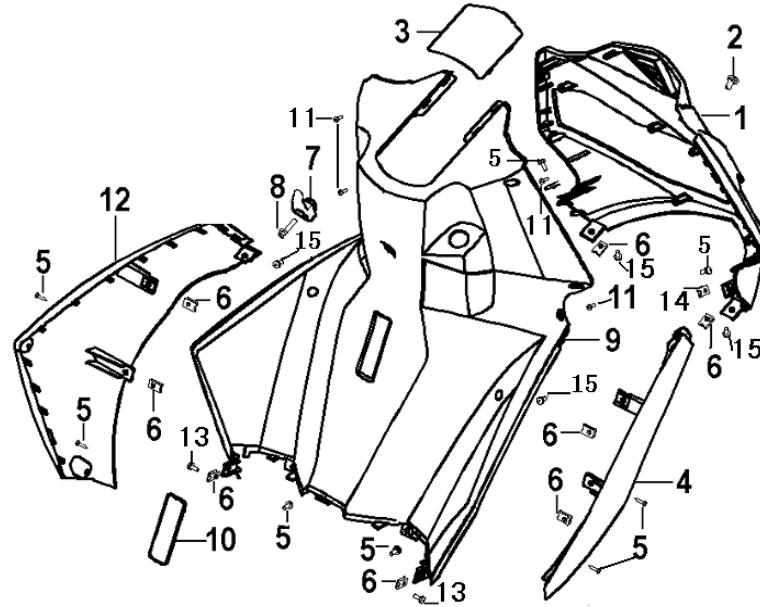
GENERIC XOR 125



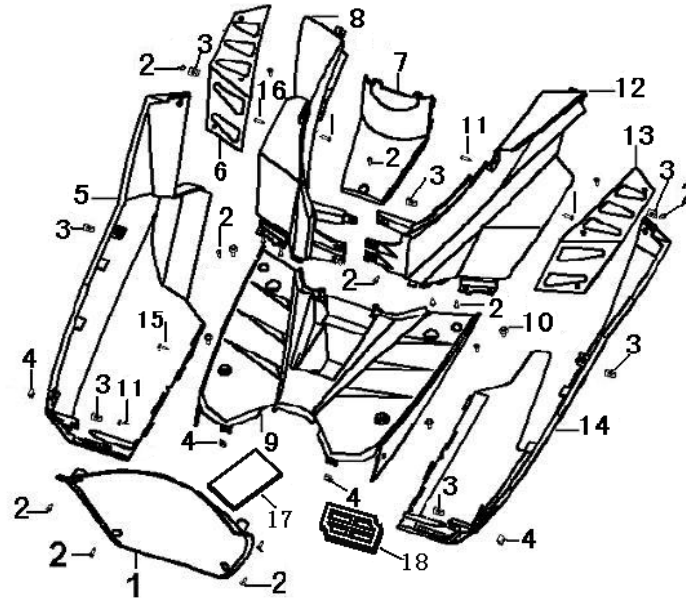
| NO. | PART NO. | DESCRIPTION | QTY | DESIGN CHANGE | DATE | APPLY | REMARK |
|-----|--------------|----------------------------|-----|---------------|------|----------|--------|
| 1 | 65301BN0TC10 | FRONT COVER (SILVER) | 1 | | | | |
| 1 | 65301BN0TB40 | FRONT COVER (BLACK) | 1 | | | | |
| 1 | 65301BN0TLE0 | FRONT COVER (BLUE) | 1 | | | | |
| 1 | 65301BN0TW50 | FRONT COVER (WITER) | 1 | | | | |
| 1 | 65301BN0TM40 | FRONT COVER (YELLOW) | 1 | | | | |
| 1 | 65301B300010 | FRONT COVER (WHITE/SILVER) | 1 | | | Williams | |
| 2 | B13010601625 | SCREW M6X16 | 1 | | | | |
| 3 | 65303BN0T000 | UPPER COVER, LEG SHIELD | 1 | | | | |
| 4 | 65365BN0TC10 | R. FR. SIDE COVER (SILVER) | 1 | | | | |
| 4 | 65365BN0TB40 | R. FR. SIDE COVER (BLACK) | 1 | | | | |
| 4 | 65365BN0TLE0 | R. FR. SIDE COVER (BLUE) | 1 | | | | |
| 4 | 65365BN0TW50 | R. FR. SIDE COVER (WHITE) | 1 | | | | |
| 4 | 65365BN0TM40 | R. FR. SIDE COVER (YELLOW) | 1 | | | | |
| 4 | 65365BN0TEG0 | R. FR. SIDE COVER (BLUE) | 1 | | | Williams | |
| 5 | B05074801605 | TAPPING SCREWS ST4.8X16 | 8 | | | | |
| 6 | 65801BMAT000 | CLIP NUT | 10 | | | | |
| 7 | 51011B5BT000 | HOOK, HELMET | 1 | | | | |
| 8 | B01090602565 | BOLT M6X25 | 1 | | | | |
| 9 | 65402BN0T000 | LEG SHIELD | 1 | | | | |
| 10 | 65403BN0T000 | COVER, FRAME NUMBER | 1 | | | | |
| 11 | B05000401605 | TAPPING SCREWS ST4X16 | 4 | | | | |

F15-2 FRONT COVER

GENERIC XOR 125

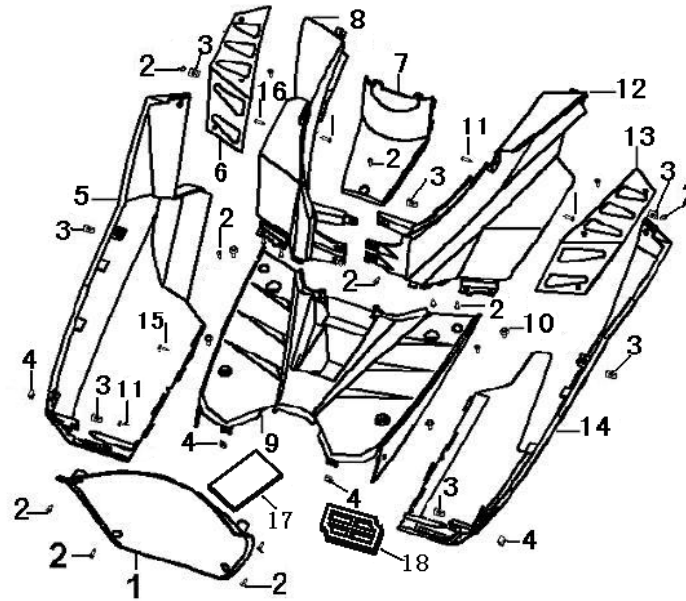


| NO. | PART NO. | DESCRIPTION | QTY | DESIGN CHANGE | DATE | APPLY | REMARK |
|-----|--------------|----------------------------|-----|---------------|------|-------|--------|
| 12 | 65364BN0TC10 | L. FR. SIDE COVER (SILVER) | 1 | | | | |
| 12 | 65364BN0TB40 | L. FR. SIDE COVER (BLACK) | 1 | | | | |
| 12 | 65364BN0TLE0 | L. FR. SIDE COVER (BLUE) | 1 | | | | |
| 12 | 65364BN0TW50 | L. FR. SIDE COVER (WHITE) | 1 | | | | |
| 12 | 65364BN0TM40 | L. FR. SIDE COVER (YELLOW) | 1 | | | | |
| 12 | 65364BN0TEG0 | L. FR. SIDE COVER (BLUE) | 1 | | | | |
| 13 | B05074201905 | TAPPING SCREWS ST4.2X19 | 2 | | | | |
| 14 | 65802BMAT000 | CLIP NUT | 2 | | | | |
| 15 | B05074201605 | TAPPING SCREWS ST4.2X16 | 4 | | | | |



| NO. | PART NO. | DESCRIPTION | QTY | DESIGN CHANGE | DATE | APPLY | REMARK |
|-----|--------------|-------------------------------|-----|---------------|------|-------|--------|
| 1 | 65406BN0T000 | FENDER, INNER | 1 | | | | |
| 2 | B05074201605 | TAPPING SCREW4.2X16 | 18 | | | | |
| 3 | 65801BMAT000 | CLIP NUT | 11 | | | | |
| 4 | 65802BMAT000 | CLIP NUT | 4 | | | | |
| 5 | 65409J5BTC10 | SIDE COVER, RIGHT(SILVER) | 1 | | | | |
| 5 | 65409J5BTB40 | SIDE COVER, RIGHT(BLACK) | 1 | | | | |
| 5 | 65409J5BTLE0 | SIDE COVER, RIGHT(BLUE) | 1 | | | | |
| 5 | 65409J5BTW50 | SIDE COVER, RIGHT(WHITE) | 1 | | | | |
| 5 | 65409J5BTM40 | SIDE COVER, RIGHT(YELLOW) | 1 | | | | |
| 5 | 65409J5BTEG0 | SIDE COVER, RIGHT(BLUE) | 1 | | | | |
| 6 | 65414BN0T000 | RUBBLER PLATE, RIGHT FOOTREST | 1 | | | | |
| 7 | 65813BN0T000 | BATTERY LID | 1 | | | | |
| 8 | 65604BN0T000 | R SIDE FOOT STEP COVER | 1 | | | | |
| 9 | 65401BN0T000 | FLOOR PANEL COMP. | 1 | | | | |
| 10 | 08011H60X000 | BOLTS M6x14 | 4 | | | | |
| 11 | B05070401605 | TAPPING SCREW 4X16 | 3 | | | | |
| 12 | 65603BN0T000 | L SIDE FOOT STEP COVER | 1 | | | | |
| 13 | 65413BN0T000 | RUBBER PLATE, LEFT FOOTREST | 1 | | | | |

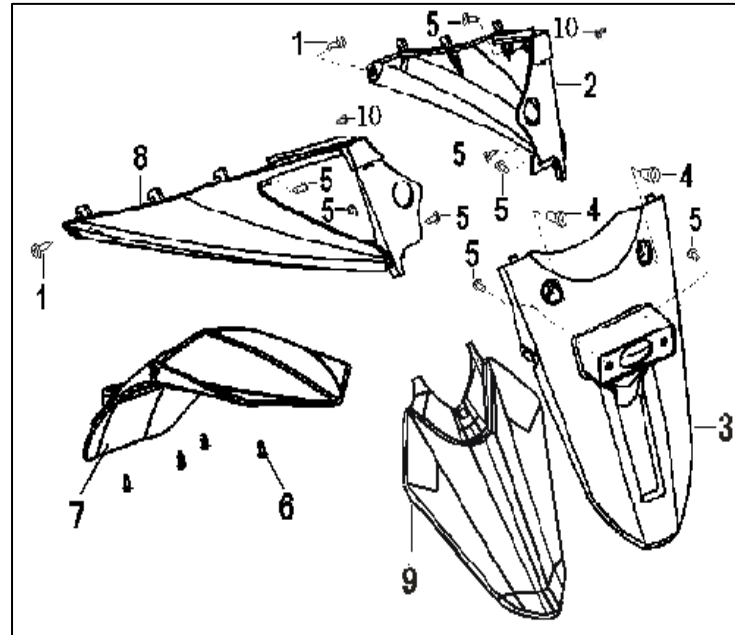




| NO. | PART NO. | DESCRIPTION | QTY | DESIGN CHANGE | DATE | APPLY | REMARK |
|-----|--------------|--------------------------|-----|---------------|------|-------|--------|
| 14 | 65408J5BTC10 | SIDE COVER, LEFT(SILVER) | 1 | | | | |
| 14 | 65408J5BTB40 | SIDE COVER, LEFT(BLACK) | 1 | | | | |
| 14 | 65408J5BTLE0 | SIDE COVER, LEFT(BLUE) | 1 | | | | |
| 14 | 65408J5BTW50 | SIDE COVER, LEFT(WHITE) | 1 | | | | |
| 14 | 65408J5BTM40 | SIDE COVER, LEFT(YELLOW) | 1 | | | | |
| 14 | 65408J5BTEG0 | SIDE COVER, LEFT(BLUE) | 1 | | | | |
| 15 | B05070401205 | TAPPING SCREW 4X12 | 12 | | | | |
| 16 | B02060501425 | SCREW M5X14 | 2 | | | | |
| 17 | 65811BMBT000 | BATTERY DAMPER 1 | 1 | | | | |
| 18 | 65812BMBT000 | BATTERY DAMPER 2 | 1 | | | | |

F17 REAR FENDER

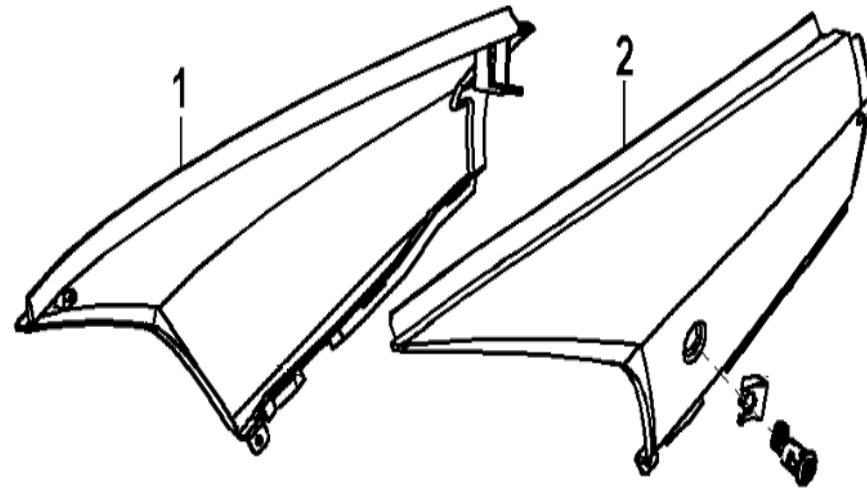
GENERIC XOR 125



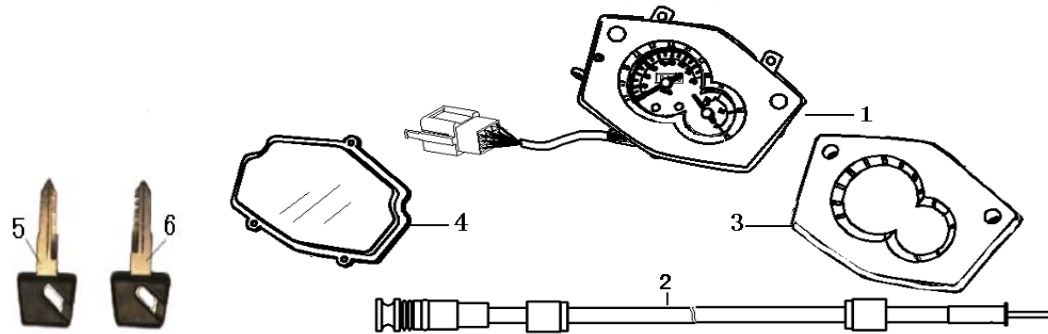
| NO. | PART NO. | DESCRIPTION | QTY | DESIGN CHANGE | DATE | APPLY | REMARK |
|-----|--------------|------------------------|-----|---------------|------|-------|--------|
| 1 | B13010501405 | SCREW ASSY M5X14 | 2 | | | | |
| 2 | 65718BN0T000 | SIDE FENDER, RR. LEFT | 1 | | | | |
| 3 | 65701BN0T000 | MUDGUARD, REAR | 1 | | | | |
| 4 | B13010601205 | SCREW ASSY M6X12 | 2 | | | | |
| 5 | B05074201305 | TAPPING SCREW ST4.2X13 | 8 | | | | |
| 6 | B05004201305 | TAPPING SCREW ST4.2X13 | 4 | | | | |
| 7 | 65709J5BT000 | REAR CENTER FENDER | 1 | | | | |
| 8 | 65717BN0T000 | SIDE FENDER, RR. RIGHT | 1 | | | | |
| 9 | 65719BN0T000 | MUDGUARD, REAR | 1 | | | | |
| 10 | B05073001005 | TAPPING SCREW ST3X10 | 2 | | | | |

F18 BODY COVER

GENERIC XOR 125



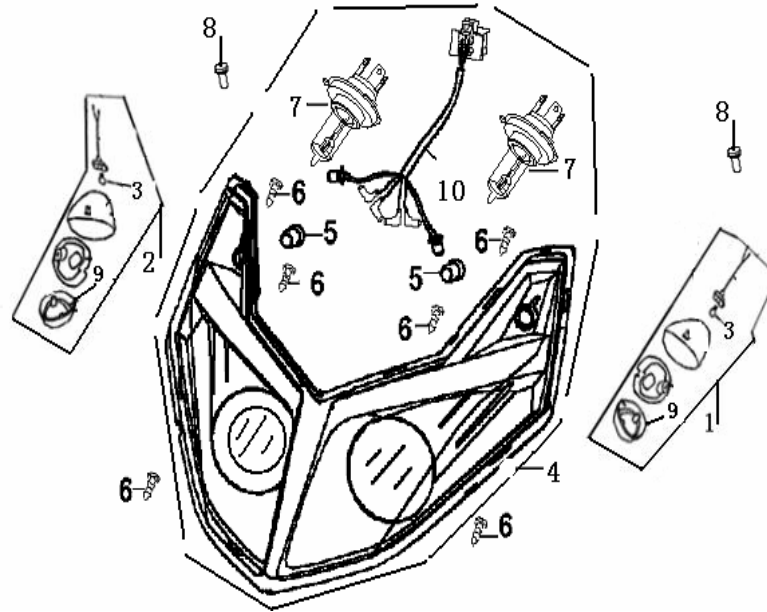
| NO. | PART NO. | DESCRIPTION | QTY | DESIGN CHANGE | DATE | APPLY | REMARK |
|-----|--------------|--------------------------|-----|---------------|------|----------|--------|
| 1 | 65602BN0TC10 | BODY COVER ,R SILVER | 1 | | | | |
| 1 | 65602BN0TB40 | BODY COVER ,R BLACK | 1 | | | | |
| 1 | 65602BN0TLE0 | BODY COVER ,R BLUE | 1 | | | | |
| 1 | 65602BN0TW50 | BODY COVER ,R WHITE | 1 | | | | |
| 1 | 65602BN0TM40 | BODY COVER ,R YELLOW | 1 | | | | |
| 1 | 65602B300010 | BODY COVER ,R WHITE/BLUE | 1 | | | Williams | |
| 2 | 65601BN0TC10 | BODY COVER ,L SILVER | 1 | | | | |
| 2 | 65601BN0TB40 | BODY COVER ,L BLACK | 1 | | | | |
| 2 | 65601BN0TLE0 | BODY COVER ,L BLUE | 1 | | | | |
| 2 | 65601BN0TW50 | BODY COVER ,L WHITE | 1 | | | | |
| 2 | 65601BN0TM40 | BODY COVER ,L YELLOW | 1 | | | | |
| 2 | 65101B30EG00 | BODY COVER ,L WHITE/BLUE | 1 | | | Williams | |



| NO. | PART NO. | DESCRIPTION | QTY | DESIGN CHANGE | DATE | APPLY | REMARK |
|-----|--------------|-------------------------|-----|---------------|------|-------|--------|
| 1 | 70000J5BT001 | SPEEDOMETER ASSY. | 1 | | | | |
| 2 | 72900BN0T000 | SPEEDOMETER CABLE COMP. | 1 | | | | |
| 3 | 70003BN0T000 | PLATE, SPEEDOMETER | 1 | | | | |
| 4 | 70004BN0T000 | LENS, SPEEDOMETER | 1 | | | | |
| 5 | 88900BMBT001 | KEY NUT RIGHT | 1 | | | | |
| 6 | 88900BMBT002 | KEY NUT LEFT | 1 | | | | |

F20 FLASHER LIGHT/HEAD LIGHT

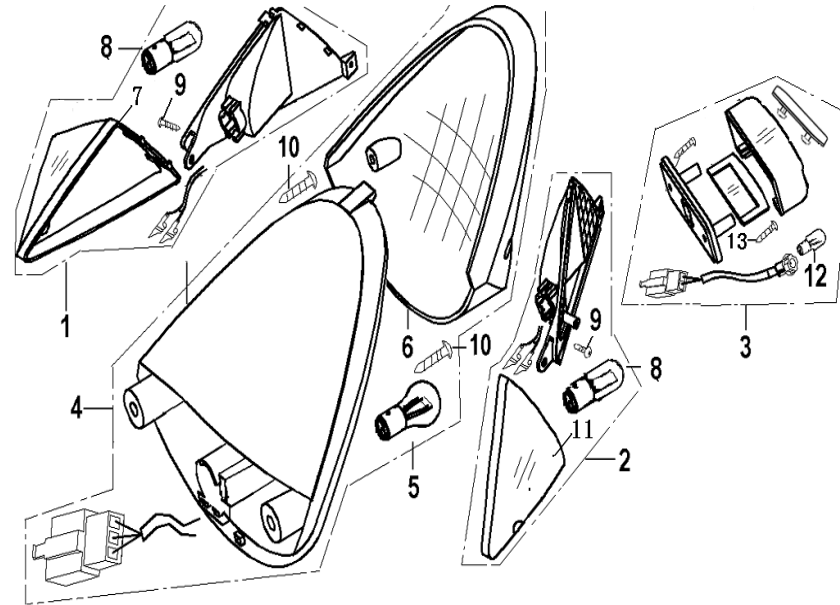
GENERIC XOR 125



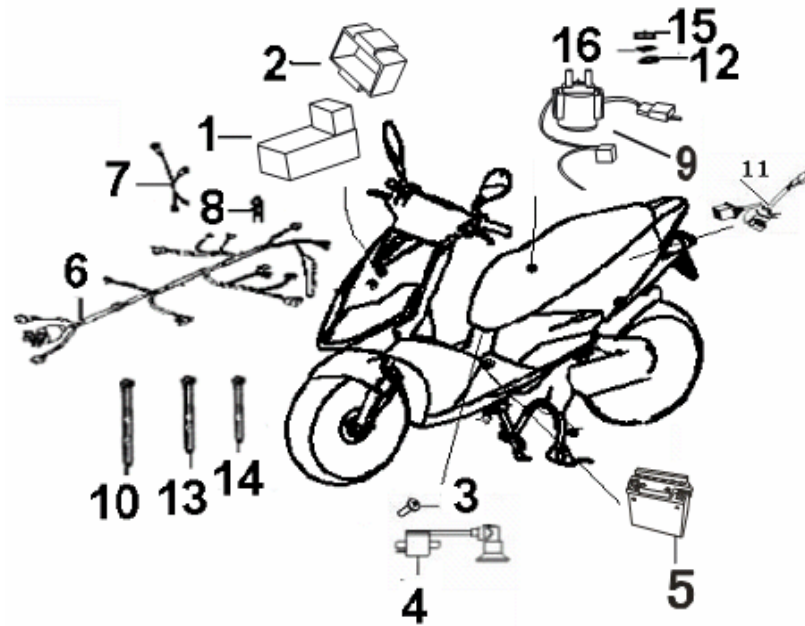
| NO. | PART NO. | DESCRIPTION | QTY | DESIGN CHANGE | DATE | APPLY | REMARK |
|-----|--------------|--------------------------------|-----|---------------|------|-------|--------|
| 1 | 81100BMMT001 | FLASHER LIGHT ASSY., L(E MARK) | 1 | | | | |
| 2 | 81300BMMT001 | FLASHER LIGHT ASSY., R(E MARK) | 1 | | | | |
| 3 | 81004JJ0P000 | BULB, 12V/10W | 2 | | | | |
| 4 | 80000BN0T001 | HEAD LIGHT ASSY. (E MARK) | 1 | | | | |
| 5 | 80003BN0T000 | BULB 12V/5W | 2 | | | | |
| 6 | B05070401605 | TAPPING SCREW 4X16 | 6 | | | | |
| 7 | 80002BN0T000 | BULB, (12V 35/35W) | 2 | | | | |
| 8 | B13140501405 | SCREW W/WASHER M5X13 | 2 | | | | |
| 9 | 81102BMMT001 | FLASHER LIGHT COVER | 2 | | | | |
| 10 | 80009BN0T001 | HEADLIGHT WIRE ASSY..R | 1 | | | | |

F21 TAIL LIGHT

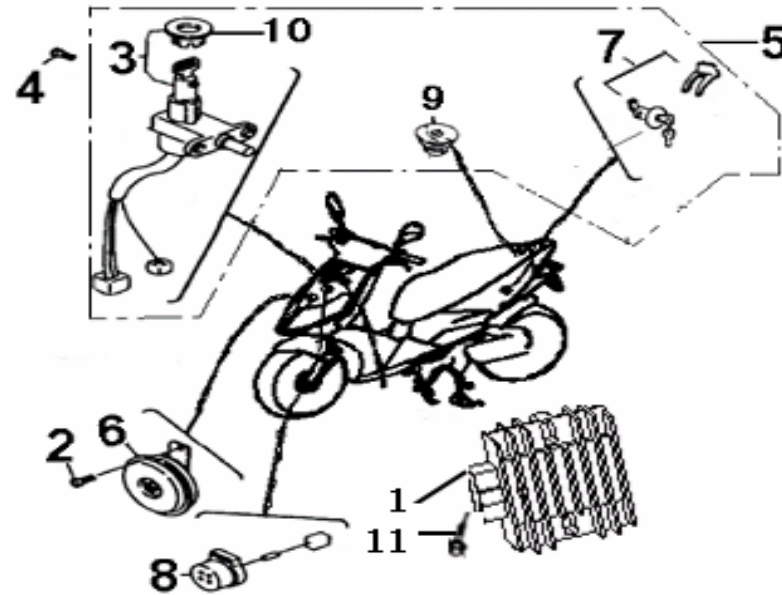
GENERIC XOR 125



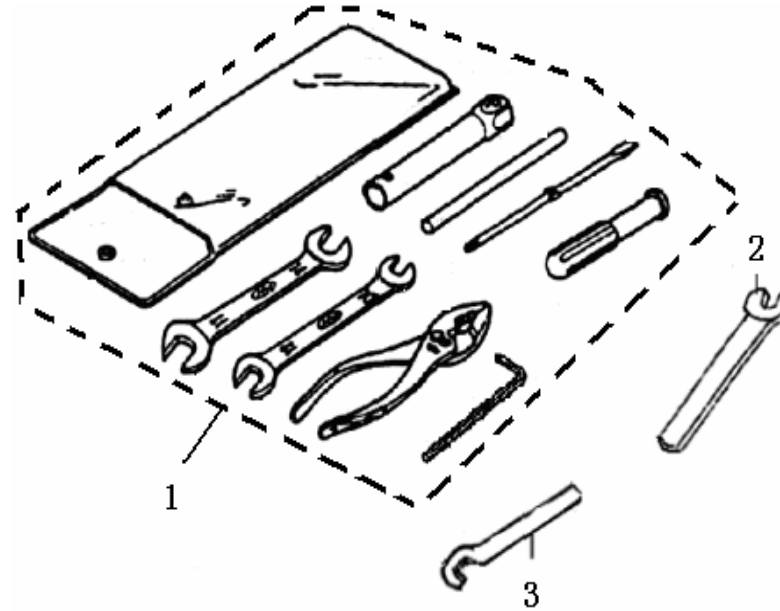
| NO. | PART NO. | DESCRIPTION | QTY | DESIGN CHANGE | DATE | APPLY | REMARK |
|-----|--------------|---|-----|---------------|------|-------|--------|
| 1 | 81700BN0T001 | FLASHER LIGHT ASSY., RR. RIGHT (E MARK) | 1 | | | | |
| 2 | 81500BN0T001 | FLASHER LIGHT ASSY., RR. LEFT (E MARK) | 1 | | | | |
| 3 | 82500BN0T001 | LIGHT ASS'Y, LICENSE PLATE | 1 | | | | |
| 4 | 82000BN0T001 | TAIL LIGHT ASSY. (E MARK) | 1 | | | | |
| 5 | 82005B20T000 | BULB 12V 21/5W | 1 | | | | |
| 6 | 82008BN0T000 | LENS, TAIL LIGHT | 1 | | | | |
| 7 | 81708BN0T000 | FLASHER LIGHT COVER, R | 1 | | | | |
| 8 | 81004JJ0P000 | BULB 12V 10W | 2 | | | | |
| 9 | 08011BN0T000 | SCREW 3X8 | 2 | | | | |
| 10 | 08009BN0T000 | SCREW 4X18 | 2 | | | | |
| 11 | 81508BN0T000 | FLASHER LIGHT COVER, L | 1 | | | | |
| 12 | 82505BN0T000 | BULB | 1 | | | | |
| 13 | 08008BN0T000 | SCREW 4X12 | 2 | | | | |



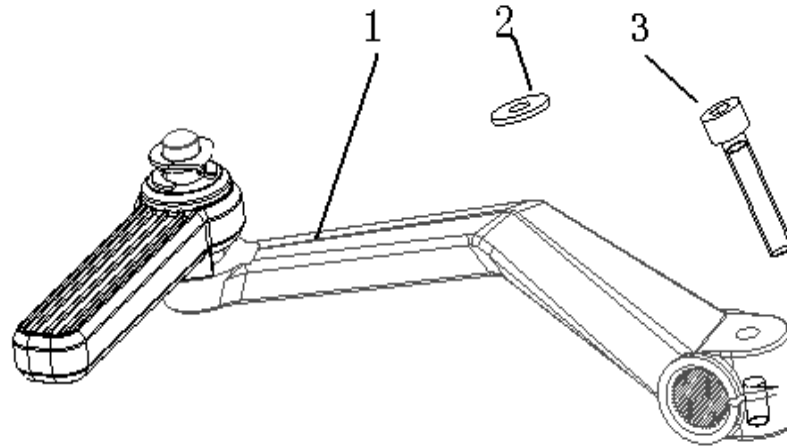
| NO. | PART NO. | DESCRIPTION | QTY | DESIGN CHANGE | DATE | APPLY | REMARK |
|-----|--------------|---------------------|-----|---------------|------|-------|--------|
| 1 | 97701BAAT000 | C.D.I. UNIT COMP. | 1 | | | | |
| 2 | 96007BAAT000 | CUSHION C.D.I. | 1 | | | | |
| 3 | B13040602005 | SCREW 6X20 | 2 | | | | |
| 4 | 96200J5BT000 | IGNITION COIL ASSY | 1 | | | | |
| 5 | 96100J4FT000 | BATTERY ASSY. | 1 | | | | |
| 6 | 92000J5BT001 | WIRE HARNESS ASSY. | 1 | | | | |
| 7 | 96900J4AT000 | SUB WIRE HARNESS | 1 | | | | |
| 8 | 96800K80T000 | FUSE 8A,250V | 1 | | | | |
| 9 | 94000BN0T001 | STARTER RELAY COMP. | 1 | | | | |
| 10 | 96001K00P000 | BAND 250MM | 3 | | | | |
| 11 | 92100J3AT001 | DIODE COMP. | 1 | | | | |
| 12 | B07030000605 | WASHER 6mm | 2 | | | | |
| 13 | 96003K00P000 | BAND 200mm | 3 | | | | |
| 14 | 96002K00P000 | BAND 150mm | 5 | | | | |
| 15 | B04000600035 | NUT 6mm | 1 | | | | |
| 16 | B07000000605 | WASHER 6mm | 2 | | | | |



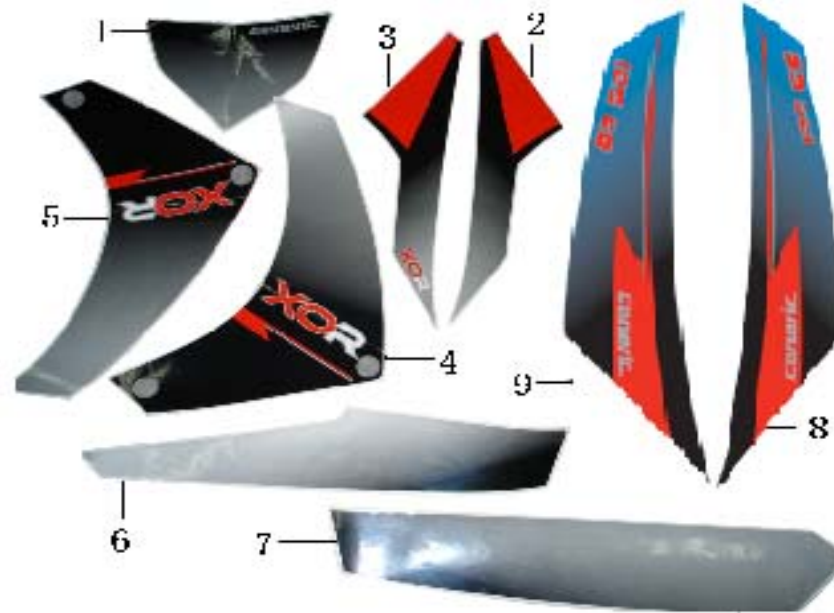
| NO. | PART NO. | DESCRIPTION | QTY | DESIGN CHANGE | DATE | APPLY | REMARK |
|-----|--------------|-----------------------|-----|---------------|------|-------|--------|
| 1 | 98801N0FP000 | REC. REGULATOR COMP. | 1 | | | | |
| 2 | B01090601265 | BOLT 6X12 | 2 | | | | |
| 3 | 88100J5BT000 | IGNITION SWITCH ASSY. | 1 | | | | |
| 4 | 08002BMBT000 | BOLT 6X16 | 2 | | | | |
| 5 | 88000BN0T000 | KEY LOCK SET. | 1 | | | | |
| 6 | 95000BMDT000 | HORN COMP (E MARK) | 1 | | | | |
| 7 | 88800BN0T000 | LOCK ASSY., SEAT | 1 | | | | |
| 8 | 96500BN0T000 | FLASHER RELAY COMP | 1 | | | | |
| 9 | 88400BM0T000 | LOCK ASSY., FUEL TANK | 1 | | | | |
| 10 | 88101BMBT000 | COVER MAIN SWITCH | 1 | | | | |
| 11 | B01090602065 | BOLT 6X20 | 2 | | | | |



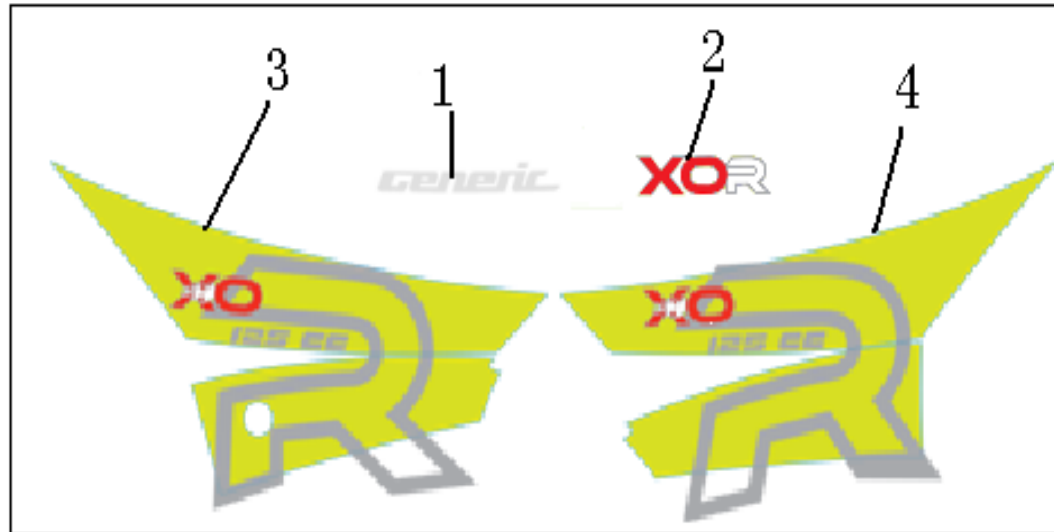
| NO. | PART NO. | DESCRIPTION | QTY | DESIGN CHANGE | DATE | APPLY | REMARK |
|-----|--------------|-----------------------|-----|---------------|------|-------|--------|
| 1 | 02100J5BT000 | TOOLS ASSY. | 1 | | | | |
| 2 | 02115BM0T000 | RR. ABSORBER ADJUSTER | 1 | | | | |
| 3 | 02117BMBT000 | WRENCH 35 | 1 | | | | |



| NO. | PART NO. | DESCRIPTION | QTY | DESIGN CHANGE | DATE | APPLY | REMARK |
|-----|--------------|----------------------|-----|---------------|------|-------|--------|
| 1 | 08350J5BT000 | KICK STARTER COMP | 1 | | | | |
| 2 | B07030000600 | WASHER | 1 | | | | |
| 3 | B02050602560 | BOLT 6X25 | 1 | | | | |
| 4 | B02060501245 | SCREW 5X12 | 1 | | | | |
| 5 | 08400J5BT001 | ENGINE ENTRANCE COMP | 1 | | | | |



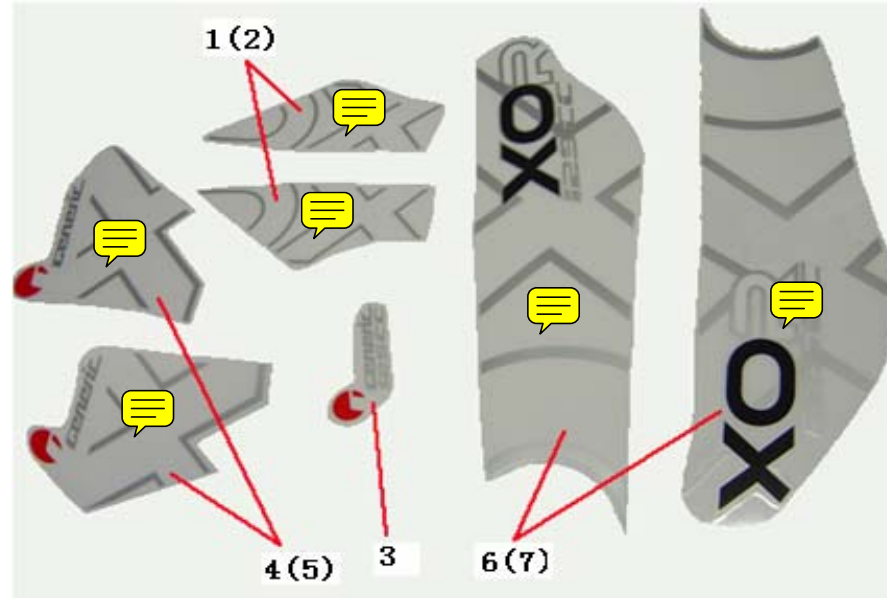
| NO. | PART NO. | DESCRIPTION | QTY | DESIGN CHANGE | DATE | APPLY | REMARK |
|-----|--------------|---------------------------|-----|---------------|------|-------|--------|
| 1 | 05510BN0T000 | sticker, handle cover | 1 | | | | |
| 2 | 05521BN0T000 | sticker, front cover,L | 1 | | | | |
| 3 | 05529BN0T000 | sticker, front cover,R | 1 | | | | |
| 4 | 05501BN0T000 | sticker, FR. Side cover,L | 1 | | | | |
| 5 | 05509BN0T000 | sticker, FR. Side cover,R | 1 | | | | |
| 6 | 05541BN0T000 | sticker, Low,side cover,L | 1 | | | | |
| 7 | 05549BN0T000 | sticker, Low,side cover,R | 1 | | | | |
| 8 | 05511J5BT000 | sticker, sider cover,L | 1 | | | | |
| 9 | 05519J5BT000 | sticker, sider cover,R | 1 | | | | |



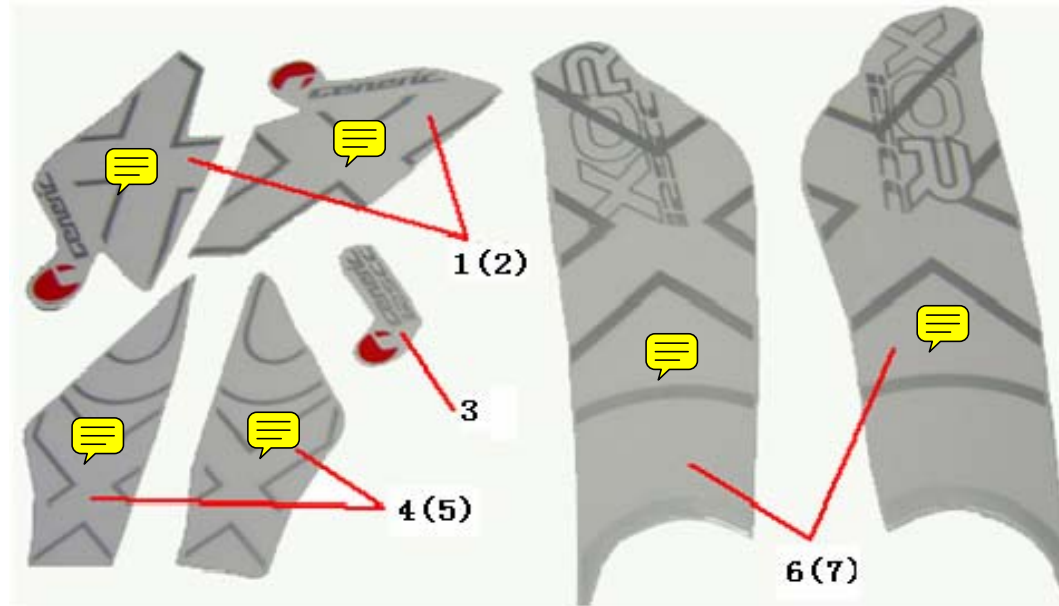
| NO. | PART NO. | DESCRIPTION | QTY | DESIGN CHANGE | DATE | APPLY | REMARK |
|-----|--------------|------------------------|-----|---------------|------|-------|--------|
| 1 | 05510BN0T001 | sticker, handle cover | 1 | | | | |
| 2 | 05529BN0T001 | sticker, front cover,R | 1 | | | | |
| 3 | 05511J5BT001 | sticker, sider cover,L | 1 | | | | |
| 4 | 05519J5BT001 | sticker, sider cover,R | 1 | | | | |



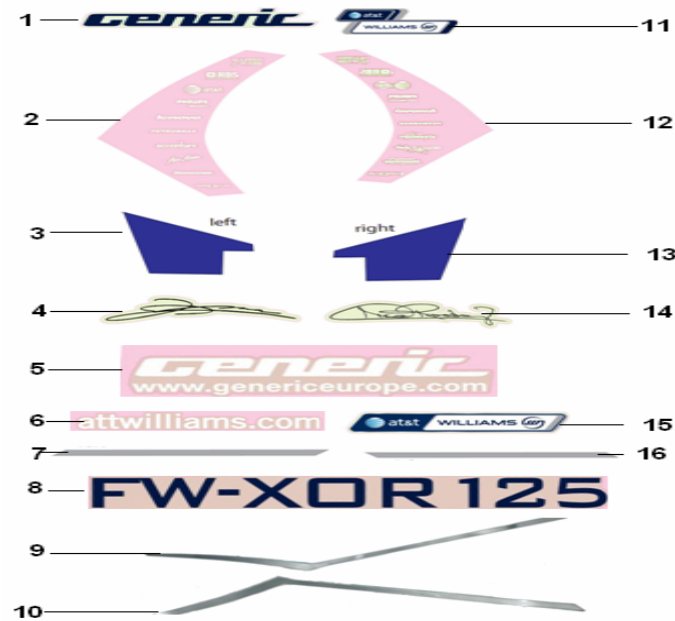
| NO. | PART NO. | DESCRIPTION | QTY | DESIGN CHANGE | DATE | APPLY | REMARK |
|-----|--------------|------------------------|-----|---------------|------|-------|--------|
| 1 | 05511J5BT002 | sticker, sider cover,L | 1 | | | | |
| 2 | 05519J5BT002 | sticker, sider cover,R | 1 | | | | |
| 3 | 05529BN0T001 | sticker, front cover,R | 1 | | | | |
| 4 | 05510BN0T001 | sticker, handle cover | 1 | | | | |



| NO. | PART NO. | DESCRIPTION | QTY | DESIGN CHANGE | DATE | APPLY | REMARK |
|-----|--------------|-------------------------|-----|---------------|------|-------|--------|
| 1 | 05521BN0T003 | STICKER,L.FR.SIDE COVER | 1 | | | | |
| 2 | 05529BN0T003 | STICKER,R.FR.SIDE COVER | 1 | | | | |
| 3 | 05510J5BT003 | STICKER,HANDLE COVER | 1 | | | | |
| 4 | 05501BN0T002 | STICKER,FRONT COVER LH. | 1 | | | | |
| 5 | 05509BN0T002 | STICKER,FRONT COVER RH. | 1 | | | | |
| 6 | 05511J5BTB43 | STICKER,SIDE COVER LH. | 1 | | | | |
| 7 | 05519J5BTB43 | STICKER,SIDE COVER RH. | 1 | | | | |



| NO. | PART NO. | DESCRIPTION | QTY | DESIGN CHANGE | DATE | APPLY | REMARK |
|-----|--------------|-------------------------|-----|---------------|------|-------|--------|
| 1 | 05521BN0T003 | STICKER,L.FR.SIDE COVER | 1 | | | | |
| 2 | 05529BN0T003 | STICKER,R.FR.SIDE COVER | 1 | | | | |
| 3 | 05510J5BT003 | STICKER,HANDLE COVER | 1 | | | | |
| 4 | 05501BN0T002 | STICKER,FRONT COVER LH. | 1 | | | | |
| 5 | 05509BN0T002 | STICKER,FRONT COVER RH. | 1 | | | | |
| 6 | 05511J5BTW54 | STICKER,SIDE COVER LH. | 1 | | | | |
| 7 | 05519J5BTW54 | STICKER,SIDE COVER RH. | 1 | | | | |



| NO. | PART NO. | DESCRIPTION | QTY | DESIGN CHANGE | DATE | APPLY | REMARK |
|-----|--------------|-------------------------------|-----|---------------|------|-------|--------|
| 1 | 05510T410005 | STICKER 2,HANDLE COVER FR | 1 | | | | |
| 2 | 05509T410005 | STICKER R. FR. SIDE COVER | 1 | | | | |
| 3 | 05504T410005 | STICKER 3. HANDLE COVER,FR LH | 1 | | | | |
| 4 | 05521T410004 | STICKER 1,FRONT COVER | 1 | | | | |
| 5 | 05543T410005 | STICKER LOW SIDE COVER LH,RH | 2 | | | | |
| 6 | 05572T410005 | STICKER 1,REAR CARRIER | 1 | | | | |
| 7 | 05573T410005 | STICKER 2. REAR CARRIER LH | 1 | | | | |
| 8 | 05513T410002 | STICKER 2. SIDE COVER LH, RH | 2 | | | | |
| 9 | 05511T410005 | STICKER 3. SIDE COVER LH | 1 | | | | |
| 10 | 05519T410005 | STICKER 3. SIDE COVER RH | 1 | | | | |
| 11 | 05510T410004 | STICKER 1,HANDLE COVER | 1 | | | | |
| 12 | 05501T410005 | STICKER L. FR. SIDE COVER | 1 | | | | |
| 13 | 05505T410005 | STICKER 3. HANDLE COVER,FR RH | 1 | | | | |
| 14 | 05529T410004 | STICKER 2. FRONT COVER | 1 | | | | |
| 15 | 05513T410001 | STICKER 1. SIDE COVER | 2 | | | | |
| 16 | 05574T410005 | STICKER 2,REAR CARRIER RH | 1 | | | | |