



GENERIC



Trigger 50 SM og X

Engine 2012

DESIGN  AUSTRIA

Reservedele



SCANDINAVIAN MACHINERY IMPORT ApS

Holtvej 8-10, Høruphav, 6470 Sydals

Telefon: +45 73 15 11 00

Fax: +45 73 15 11 01

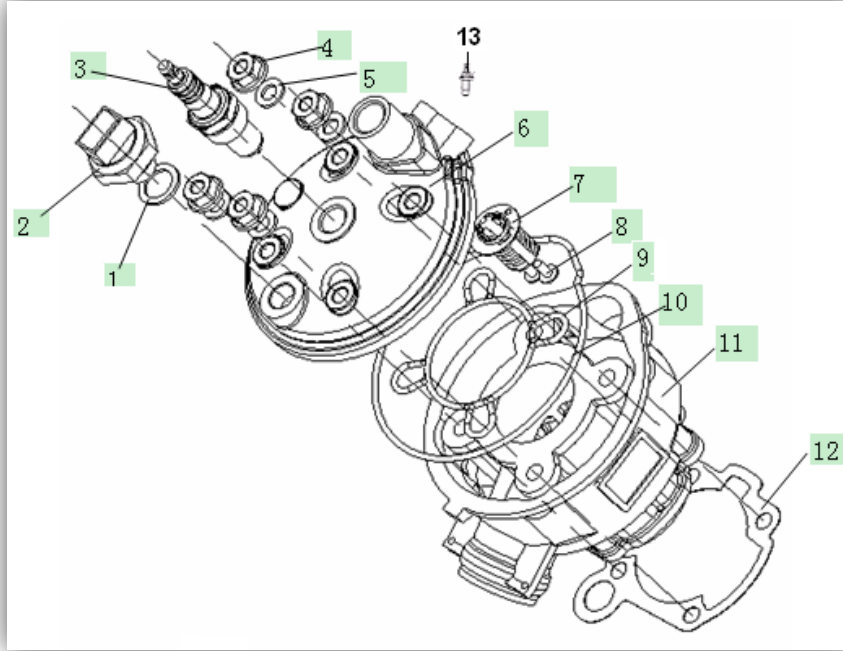
info@scanmi.dk · www.scanmi.dk

CVR: 27 73 31 07

www.genericmotor.dk

Oktober 2012

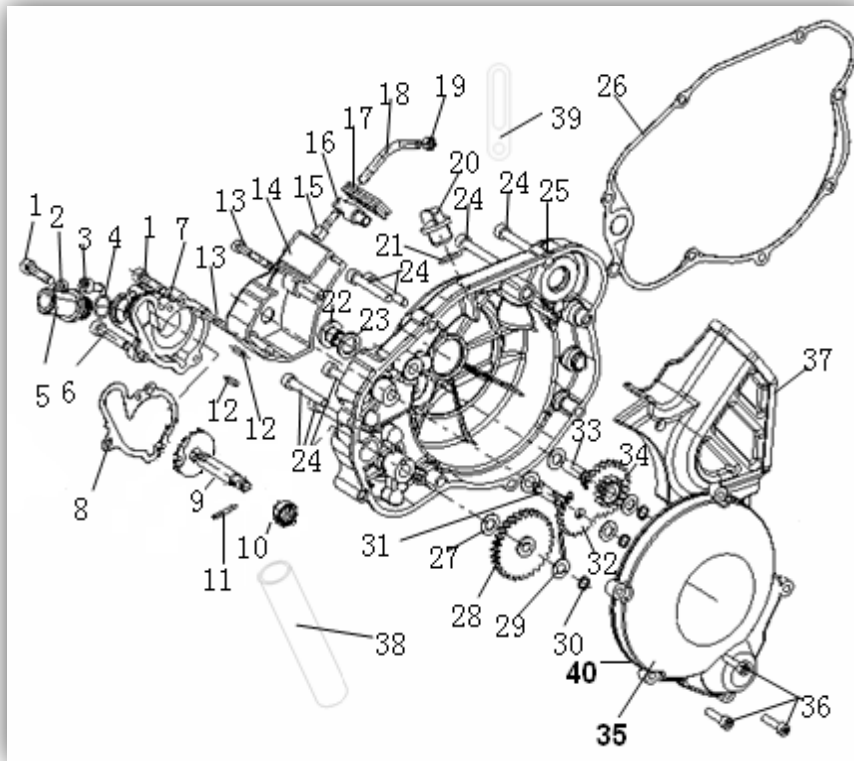
E01 CYLINDER HEAD ASSY(字字字字字)QJ1E40MB-2.01



NO.	Version	PART NO.	EN DESCRIPTION	QTY	STATE NO.
E01-1	GE-01	210382140020	WASHER	1	
E01-2	GE-01	21300000B15F000	TEMPERATURE REGULATOR	1	
E01-3	GE-01	299071170020	SPARK PLUG BR9ES	1	
E01-4	GE-01	304290700068	HEXAGON NUT WITH FLANGE	4	
E01-5	GE-01	31000006B15F000	WASHER,PLAIN	4	
E01-6	GE-01	201200.087000	CYLINDER HEAD	1	
E01-6A	GE-01	109061170030	CYLINDER HEAD new	1	
E01-7	GE-01	31300000B15F000	WATER TEMPERATURE REGULATOR	1	be used with 6
E01-8	GE-01	313050401065	SCREW M4X10	2	
E01-9	GE-01	31000003B15F000	SMALL SEAL RING	1	
E01-10	GE-01	31000004B15F000	BIG SEAL RING	1	
E01-11	GE-01	25000002B15F000	CYLINDER	1	
E01-12	GE-01	25000001B15F000	GASKER CYLINDER	1	
E01-13	GE-01	30531N03F001	SENSOR,water temprature	1	be used with 6A

6A:109061170030,

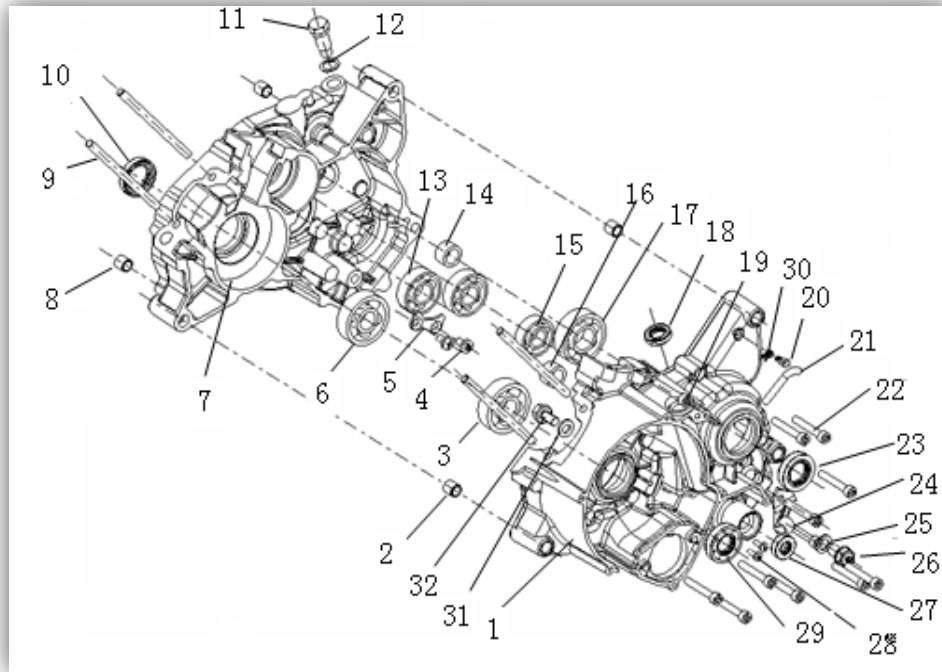
E02 CRANKCASE COVER ASSY()QJ1E40MB-2.10A:)GENERIC



NO.	Version	PART NO.	EN DESCRIPTION	QTY	STATE NO.
E02-1	GE-01	B02040602585	BOLT M6X25	2	
E02-2	GE-01	14000021B15F000	WASHER 6	1	
E02-3	GE-01	B02040601285	BOLT M6X12	1	
E02-4	GE-01	315114819010	O-RING	1	
E02-5	GE-01	14000020B15F000	WATER OUTLET SEAT WATER PUMP	1	
E02-6	GE-01	B02040605585	BOLT M6X55	1	
E02-7	GE-01	14000006B15F000	COVER WATER PUMP	1	
E02-8	GE-01	14000019B15F000	PAD COVER WATER PUMP	1	
E02-9	GE-01	14200000B15F000	IMPELLER WATER PUMP	1	
E02-10	GE-01	14300000B15F000	MECHANICAL SEAL	1	

E02-11	GE-01	14000023B15F000	DRIVE PIN	2	
E02-12	GE-01	309040401010	PIN [カ]DOWEL [カ]WATER PUMP	2	
E02-13	GE-01	B02040503585	BOLT M5X35	2	
E02-14	GE-01	14000022B15F000	COVER [カ]OIL PUMP	1	
E02-15	GE-01	B02040602585	BOLT M6X25	2	
E02-16	GE-01	14000013B15F000	OIL PUMP STEEL WIRE FIXING LEG	1	
E02-17	GE-01	14000024B15F000	RUBBER PLUG	1	
E02-18	GE-01	14000014B15F000	OIL PUMP STEEL WIRE REGULATING SLEEVE	1	
E02-19	GE-01	30426060000	NUT M6	1	
E02-20	GE-01	14000016B15F000	CAP [カ]OIL FILLER	1	
E02-21	GE-01	PS2000G-321802A7	O-RING 13.3X2.65	1	
E02-22	GE-01	14100000B15F000	BOLT M8X8	1	
E02-23	GE-01	207316.005000	WASHER PLAIN 8.5X12.5X1.5	1	
E02-24	GE-01	B02040603063	BOLT M6X30	7	
E02-25	GE-01	14000003B15F000	COVER [カ]R.CRANKCASE	1	
E02-26	GE-01	14000002B15F000	PAD [カ]COVER [カ]R.CRANKCASE	1	
E02-27	GE-01	14000007B15F000	WASHER PLAIN XIII	3	
E02-28	GE-01	14000005B15F000	GEAR [カ]WATER PUMP	1	
E02-29	GE-01	14000004B15F000	WASHER PLAIN XII	4	
E02-30	GE-01	B08080080000	CIRCLIP 8	3	
E02-31	GE-01	14000008B15F000	JOINT SHAFT [カ]OIL PUMP	1	
E02-32	GE-01	14000018B15F000	DRIVE GEAR [カ]OIL PUMP	1	
E02-33	GE-01	14000009B15F000	MIDDLE SHAFT	1	
E02-34	GE-01	14000011B15F000	MIDDLE GEAR	1	
E02-35	GE-01	14000001B15F000	COVER [カ]L.CRANKCASE	1	
E02-35	GE-01	169021170030	COVER [カ]L.CRANKCASE	1	
E02-36	GE-01	B02040502085	BOLT M5X20	5	
E02-37	GE-01	207201.051000	LEFT REAR COVER	1	
E02-38	GE-01	321011200111	SILICA GEL PIPE	1	
E02-39	GE-01	19213H08F000	CLIP [カ]TUBE	2	
E02-40	GE-01	169071170000	GASKET CRANKCASE LEFT	1	

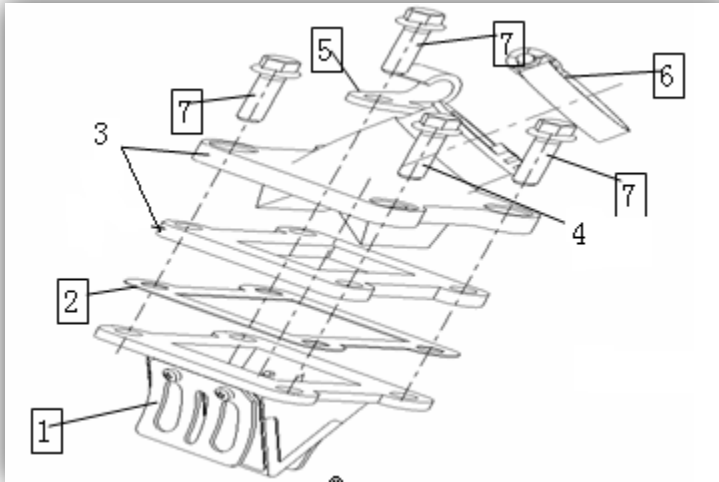
E03 CRANKCASE ASSY ()QJ1E40MB-2.03



NO.	Version	PART NO.	EN DESCRIPTION	QTY	STATE NO.
E03-1	GE-01	26100007B15F000	CRANKCASE,LEFT	1	
E03-1	GE-01	159041170001	CRANKCASE,LEFT	1	
E03-2	GE-01	206505.010000	PIN,DOWEL	2	
E03-3	GE-01	B12060303N64	BEARING,RADIAL BALL	1	
E03-4	GE-01	302220601262	SCREW M6X12	2	
E03-5	GE-01	206228.003000	BEARING PRESSURE PLATE	1	
E03-6	GE-01	B12060303N64	BEARING,RADIAL BALL	1	
E03-7	GE-01	206300.078000	CRANKCASE,RIGHT	1	
E03-7	GE-01	159051170002	CRANKCASE,RIGHT	1	
E03-8	GE-01	320070080121	PIN,DOWEL	2	
E03-9	GE-01	206226.012000	STUDBOLT,CYLINDER	4	
E03-10	GE-01	206243.001000	OIL SEALII	1	

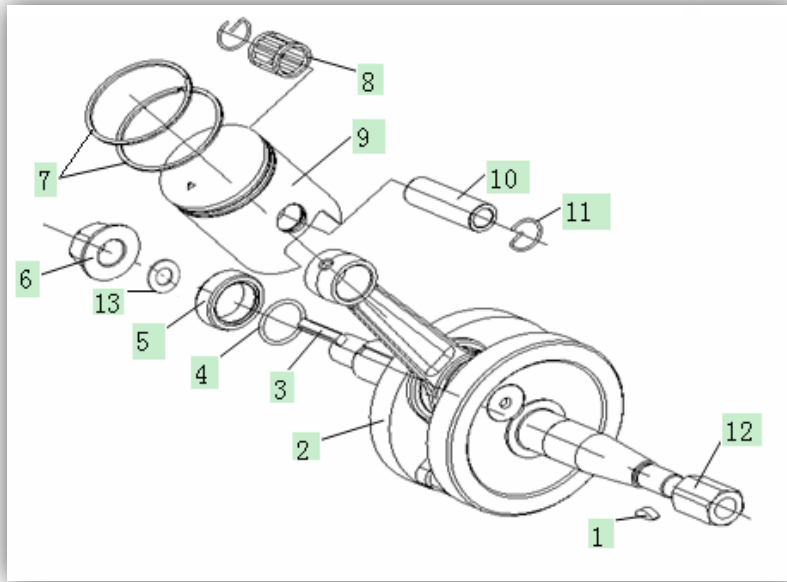
E03-11	GE-01	26000005B15F000	LOCATING SCREW	1	
E03-12	GE-01	206238.001000	WASHER	1	
E03-13	GE-01	B12060203N70	BEARING,RADIAL BALL	2	
E03-14	GE-01	312914201200	BEARING	1	
E03-15	GE-01	B12060202N70	BEARING,RADIAL BALL	1	
E03-16	GE-01	312914201200	BEARING	1	
E03-17	GE-01	B12060204N70	BEARING,RADIAL BALL	1	
E03-18	GE-01	317313524051	SEAL 13.7X24X5	1	
E03-19	GE-01	302040605000	SCREW M6X50	1	
E03-20	GE-01	26100006B15F000	HOSE,BREATHER	1	
E03-21	GE-01	206208.018000	HOSE,BREATHER	1	
E03-22	GE-01	B02040604085		12	
E03-23	GE-01	206243.002000	OIL SEAL	1	
E03-24	GE-01	202307.001000	CLUTCH STAY WIRE CLIP	1	
E03-25	GE-01	206321.003000	WITHOUT ASBESTOS PAPER PAD	1	
E03-26	GE-01	210112.021000	SHIFT SENOR	1	
E03-27	GE-01	210341.002000	OIL SEAL	1	
E03-28	GE-01	302210401200	CROSS RECESS PAN HEAD SCREW M4X12	2	
E03-29	GE-01	206243.003000	OIL SEAL I	1	
E03-30	GE-01	19217G02F00A	CLIP	1	
E03-31	GE-01	18105H03F000	WASHER	1	
E03-32	GE-01	B01090801263	BOLT	1	

E04 REED VALVE AND AIR DUCT COMPONENTS (XXXXXXXXXXXX)QJ1E40MB-2.12



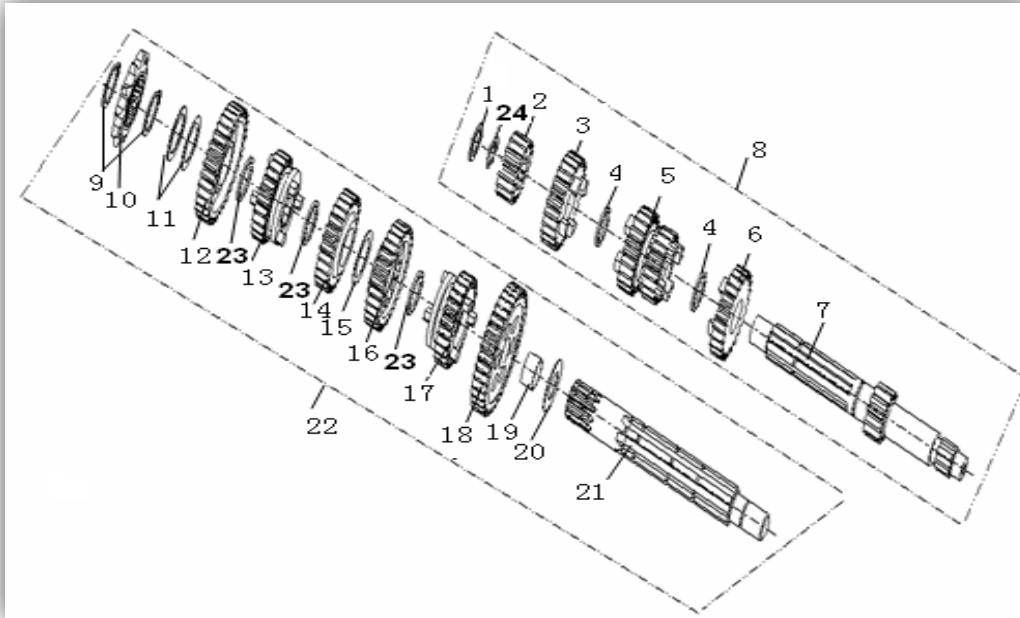
NO.	Version	PART NO.	EN DESCRIPTION	QTY	STATE NO.
E04-1	GE-01	32102B20F000	REED VALVE COMPONENT	1	
E04-2	GE-01	32101B20F000	PAD REED VALVE	1	
E04-3	GE-01	119011170002	AIR DUCT	1	
E04-4	GE-01	206412.001472	SCREW	1	
E04-5	GE-01	219237.001000	CLIP OIL PUMP TUBE	1	
E04-6	GE-01	270585050000	CLAMP	1	
E04-7	GE-01	302040602065	SCREW	3	

E05 PISTON,CONNECTING ROD & CRANKSHAFT ASSY(字字字字字字字字字字)QJ1E40MB-2.02



NO.	Version	PART NO.	EN DESCRIPTION	QTY	STATE NO.
E05-1	GE-01	208421,003000	KEY	1	
E05-2	GE-01	179011170001	CRANKSHAFT & CONROD ASSY	1	
E05-3	GE-01	208421.006000	KEY B4X20	1	
E05-4	GE-01	15000002B15F000	RING 15.5X1.5	1	
E05-5	GE-01	208413.009000	CRANKSHAFT OIL SEALED BUSH	1	
E05-6	GE-01	200181170000	NUT,LOCK	1	
E05-7	GE-01	15100001B15F000	RING ASSY	1	
E05-8	GE-01	15100006B15F000	BEARING	1	
E05-9	GE-01	179131170000	PISTON	1	
E05-10	GE-01	15100004B15F000	PIN,PISTON	1	
E05-11	GE-01	15100005B15F000	CIRCLIP	2	
E05-11	GE-01	170092080000	CIRCLIP	2	
E05-12	GE-01	208228.009000	NUT,LOCK	1	
E05-13	GE-01	170131170000	WASHER SPRING	1	

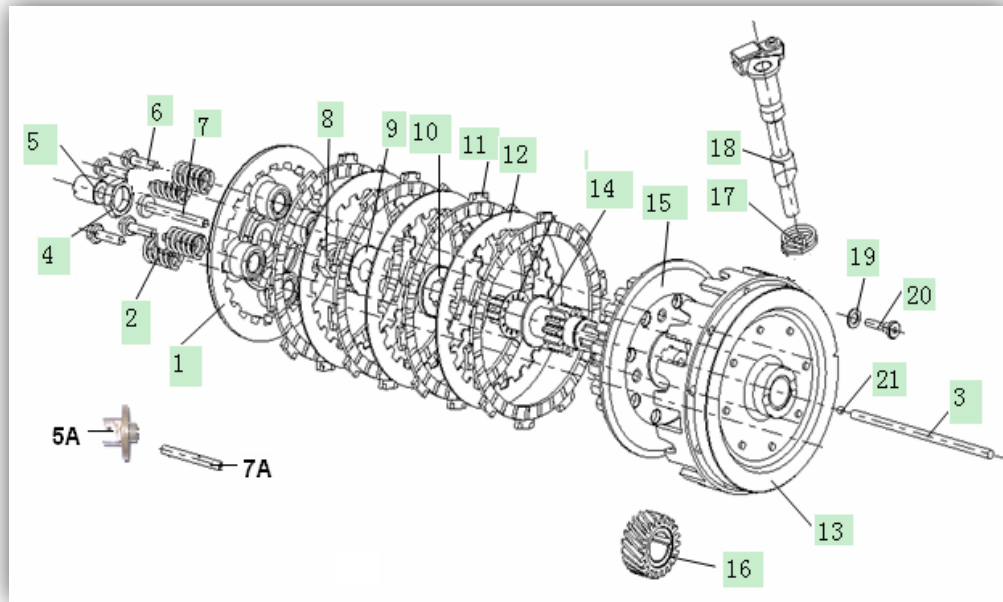
E06 字字字字字(DRIVE&DRIVEN SHAFT ASSY.)QJ1E40MB-2.05.01,02



NO.	Version	PART NO.	EN DESCRIPTION	QTY	STATE NO.
E06-1	GE-01	B08010001400	CIRCLIP(14)	1	
E06-2	GE-01	17100002B15F000	GEAR,2ND DRIVE	1	
E06-3	GE-01	17100003B15F000	GEAR,6TH DRIVE	1	
E06-4	GE-01	17100004B15F000	CIRCLIPφ18	2	
E06-5	GE-01	17100005B15F000	GEAR,3RD&4TH DRIVE	1	
E06-6	GE-01	17100006B15F000	GEAR,5TH DRIVE	1	
E06-7	GE-01	17100007B15F000	SHAFT,DRIVE	1	
E06-8	GE-01	219131170000	DRIVE SHAFT ASSY.	1	
E06-9	GE-01	B08080200000	CIRCLIP(20)	2	
E06-10	GE-01	17200015B15F000	SPROCKET	1	
E06-11	GE-01	17200006B15F000	WASHER II	2	
E06-12	GE-01	17200003B15F000	GEAR,2ND DRIVEN	1	
E06-13	GE-01	17200004B15F000	GEAR,6TH DRIVEN	1	

E06-14	GE-01	17200005B15F000	GEAR,4TH DRIVEN	1	
E06-15	GE-01	17200012B15F000	WASHER V	1	
E06-16	GE-01	17200011B15F000	GEAR,3RD DRIVEN	1	
E06-17	GE-01	17200007B15F000	GEAR,5TH DRIVEN	1	
E06-18	GE-01	17200008B15F000	GEAR,1ST DRIVEN	1	
E06-19	GE-01	17200013B15F000	BUSH II	1	
E06-20	GE-01	17200009B15F000	WASHER III	1	
E06-21	GE-01	17200001B15F000	SHAFT,DRIVEN	1	
E06-22	GE-01	209102.022000	DRIVEN SHAFT ASSY.	1	
E06-23	GE-01	17225J01F930	CIRCLIP ϕ 20	3	
E06-24	GE-01	210491170000	WASHER	1	

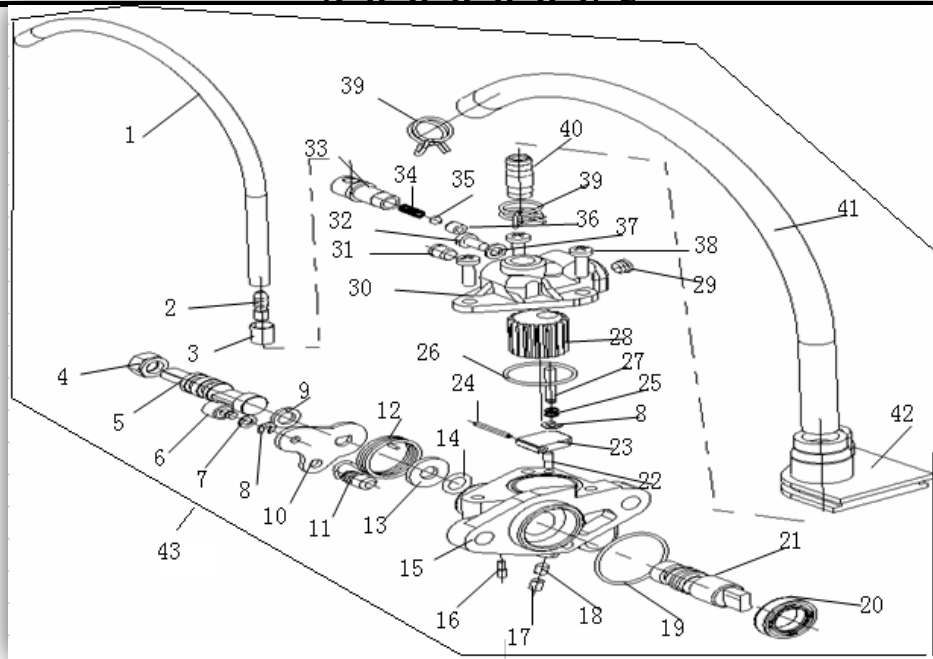
E07 CLUTCH 字字字字字QJ1E40MB-2.04



NO.	Version	PART NO.	EN DESCRIPTION	QTY	STATE NO.
E07-1	GE-01	24000009B15F000	HUB,CLUTCHSLEEVE	1	No.1 should be used with NO.7
E07-1A	GE-01	200101170001	HUB,CLUTCHSLEEVE	1	No.1A should be used with NO.7A
E07-2	GE-01	24000010B15F000	SPRING,CLUTCH	4	
E07-3	GE-01	24000011B15F000	WASHER	4	字字Y8JF204字字字6字字字字字字字字
E07-4	GE-01	24000013B15F000	NUT,LOCK	1	
E07-5	GE-01	24000014B15F000	SCREW,LOCK	1	No.5 should be used with NO.7
E07-5A	GE-01	200261170000	HANDSPIKE	1	No.5A should be used with NO.7A
E07-6	GE-01	B13010502003	HEXAGON BOLT WITH FLANGE	4	字字字字字字字字
E07-7	GE-01	24000015B15F000	EXTERIOR SEPARATED CARRIER ROD	1	No.7 should be used with NO.1
E07-7A	GE-01	200271170000	SCREW,LOCK	1	No.7A should be used with NO.1A
E07-8	GE-01	24000012B15F000	NUT,LOCK	1	
E07-9	GE-01	24000008B15F000	WASHER,thust	1	
E07-10	GE-01	24000004B15F000	INNER GEAR GASKER	1	
E07-11	GE-01	24300000B15F000	FRICITION PLATE	4	

E07-12	GE-01	24000007B15F000	PRESSURE PLATE	3	
E07-13	GE-01	24000002B15F000	DISC GASKER	1	Y8JF187
E07-14	GE-01	24000003B15F000	WASHER[平]PLAIN	1	
E07-15	GE-01	24000006B15F000	CENTER,CLUTCH	1	
E07-16	GE-01	24100006B15F000	WASHER	1	字字字字字字字字字字P8JF230
E07-17	GE-01	24100005B15F000	SPRING	1	
E07-18	GE-01	209051170003	SEPERATE PULL ROD WIELDING COMPONE	1	No.18 should be used with NO.7
E07-18A	GE-01	209051170003	SEPERATE PULL ROD WIELDING COMPONE	1	No.18A should be used with NO.7A
E07-19	GE-01	307992012120	WASHER	1	
E07-20	GE-01	24100007B15F000	LOCATING SCREWW	1	
E07-21	GE-01	B06010130000	STELL BALL	1	
E07-22	GE-01	24000001B15F000	INNER SEPARATED CARRIER ROD	1	
E07-23	GE-01	24200000B15F000	CLUTCH DRUM COMP.	1	
E07-24	GE-01	24000005B15F000	GEAR,DRIVE	1	

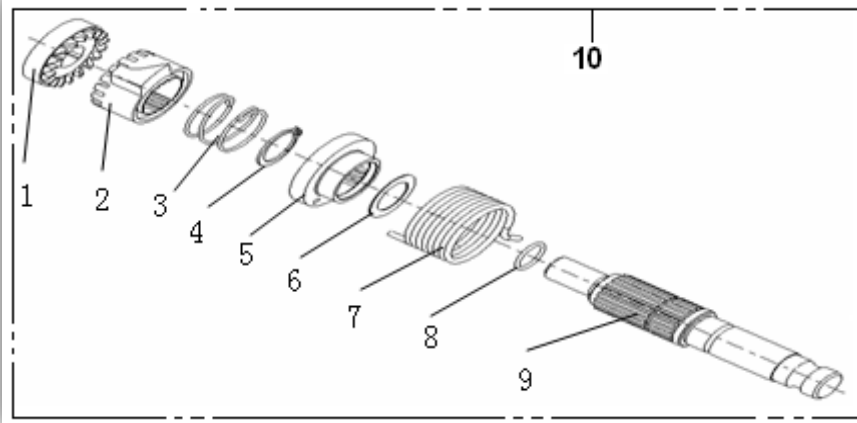
E08 OIL PUMP ASSY(字字字字字字)QJ1E40MB-2.11



NO.	Version	PART NO.	EN DESCRIPTION	QTY	STATE NO.
E08-1	GE-01	38000002B15F000	OIL OUTLEAK TUBE	1	
E08-2	GE-01	38121001B15F000	JOINT OIL OUTLEAK PIPE	1	
E08-3	GE-01	38000001B15F000	CLIP OIL OUTLEAK PIPE	1	
E08-4	GE-01	38110017B15F000	NUT	1	
E08-5	GE-01	38110018B15F000	CAMSHAFT	1	
E08-6	GE-01	38111004B15F000	SHAFT	1	
E08-7	GE-01	38111003B15F000	WASHER PLAIN	1	
E08-8	GE-01	B08100020000	CIRCLIP OUTER 2	2	
E08-9	GE-01	B07000005000	CIRCLIP	1	
E08-10	GE-01	38111001B15F000	PAN	1	
E08-11	GE-01	38111002B15F000	SPRING FIXING SHAFT	1	
E08-12	GE-01	38110015B15F000	SPRING	1	

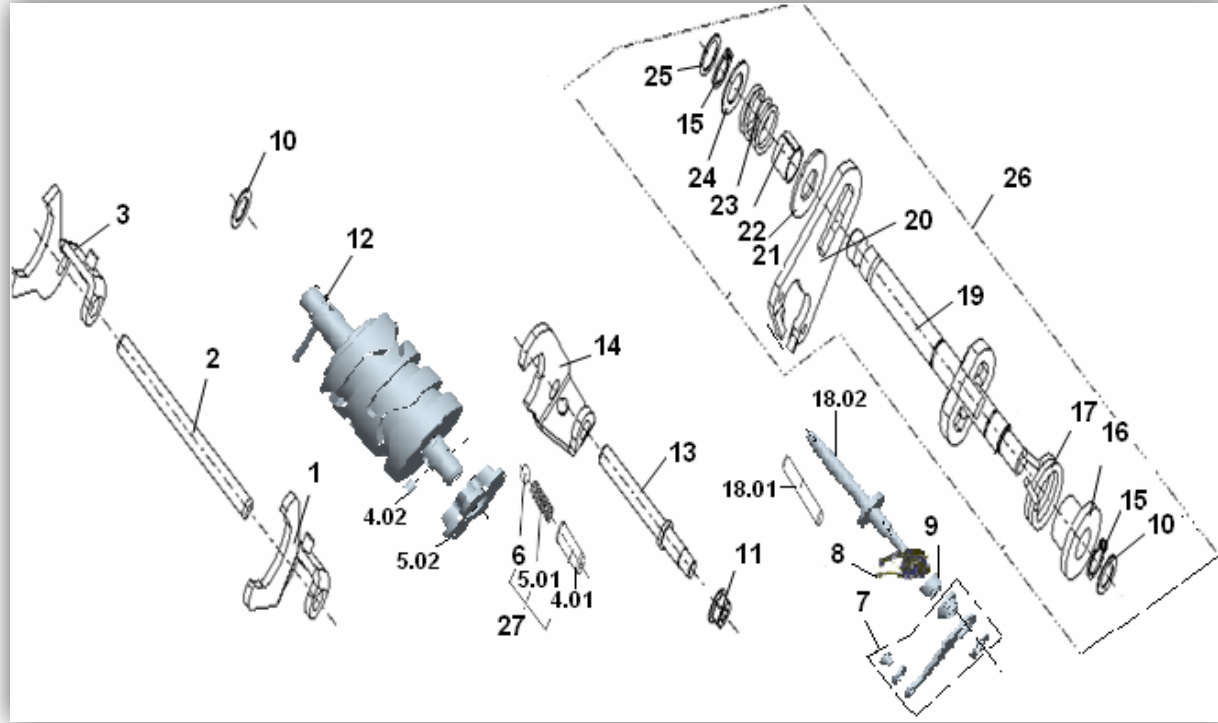
E08-13	GE-01	38110016B15F000	WASHERPLAIN	1	
E08-14	GE-01	B150200530D0	O-RING 5.3X1.8	1	
E08-15	GE-01	38110001B15F000	OIL PUMP BODY	1	
E08-16	GE-01	38110005B15F000	PIN C[7]DOWEL	1	
E08-17	GE-01	38110013B15F000	PLUG	1	
E08-18	GE-01	38110012B15F000	ADJUSTMENT BOLT	1	
E08-19	GE-01	38110002B15F000	O-RING 19.5X1	1	
E08-19	GE-01	260411170000	WASHER	1	
E08-20	GE-01	38110003B15F000	OIL SEAL	1	
E08-21	GE-01	38110004B15F000	GEAR	1	
E08-22	GE-01	38110019B15F000	PIN C[7]DOWEL	1	
E08-23	GE-01	38110010B15F000	FLUX ADJUSTMENT BOARD	1	
E08-24	GE-01	38110011B15F000	SHAFT[7]ADJUSTMENT BOARD	1	
E08-25	GE-01	38110009B15F000	SPRING	1	
E08-26	GE-01	38110006B15F000	O-RINGSEALING	1	
E08-27	GE-01	38110008B15F000	PLUG	1	
E08-28	GE-01	38110007B15F000	SHAFTOIL PUMP	1	
E08-29	GE-01	38120003B15F000	PLUG I	1	
E08-30	GE-01	38120001B15F000	COVEROIL PUMP	1	
E08-31	GE-01	38120005B15F000	PLUG II	1	
E08-32	GE-01	B02000500685	BOLT M5X6	1	
E08-33	GE-01	38121002B15F000	VALVE BODY	1	
E08-34	GE-01	38121003B15F000	SPRING	1	
E08-35	GE-01	B06010090000	STEEL BALL [7]3.175	1	
E08-36	GE-01	38121004B15F000	PLUG	1	
E08-37	GE-01	38120004B15F000	WASHER[7]SEALING	1	
E08-38	GE-01	B02210301020	BOLT M3X10	3	
E08-39	GE-01	38000005B15F000	CLIPITUBE	2	
E08-40	GE-01	38120002B15F000	JOINT	1	
E08-41	GE-01	38000004B15F000	TUBE	1	
E08-42	GE-01	38000003B15F000	JACKETOIL PIPE	1	
E08-43	GE-01	38000000B15F000	OIL PUMP ASSY	1	

E09 KICK STARTER ASSY(字字字字字字)QJ1E40MB-2.05.06



NO.	Version	PART NO.	EN DESCRIPTION	QTY	STATE NO.
E09-1	GE-01	17600001B15F000	GEAR,KICK STARTER	1	
E09-2	GE-01	17600002B15F000	RATCHET	1	
E09-3	GE-01	17600003B15F000	SPRING,RATCHET	1	
E09-4	GE-01	B08080180000	CIRCLIP(18)	1	
E09-5	GE-01	17600004B15F000	SEAT,KICK STARTER SPRING	1	
E09-6	GE-01	216409.001000	WASHER-XI	1	
E09-7	GE-01	17600005B15F000	SPRING,KICK STARTER	1	
E09-8	GE-01	17600007B15F000	O RING(12.5X1.5)	1	
E09-9	GE-01	17600008B15F000	SHAFT,KICK STARTER	1	
E09-10	GE-01	17600000B15F000	KICK STARTER ASSY	1	

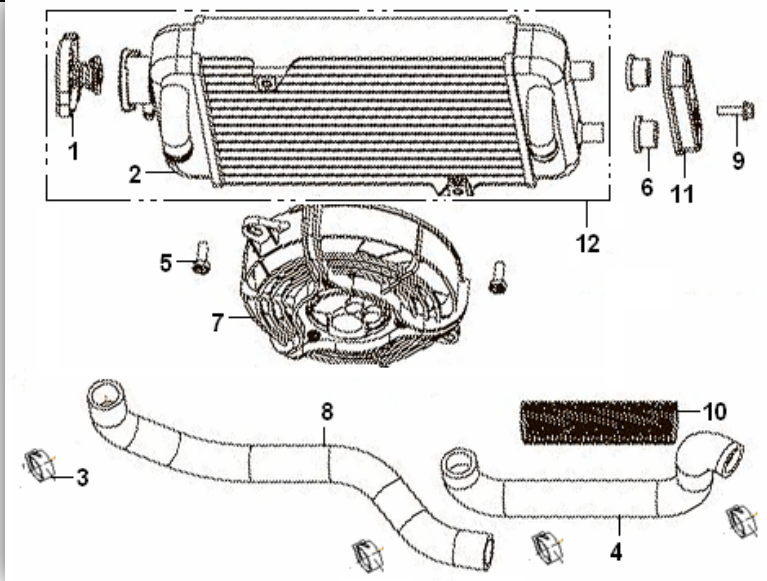
E10 字字字字字字(GEARSHIFT MECHANISM)QJ1E40MB-2.05.03,04,05



NO.	Version	PART NO.	EN DESCRIPTION	QTY	STATE NO.
E10-1	GE-01	219121170001	FORK,RIGHT GEARSHIFT	1	
E10-2	GE-01	210303.012000	SHAFT,DRIVEN FORK	1	
E10-3	GE-01	219101170001	FORK,LEFT GEARSHIFT	1	
E10-4.01	GE-01	17500002B15F000	COVER, DRUM STOPPER	1	
E10-4.02	GE-01	210291170000	DRUM STOPPER	1	
E10-5.01	GE-01	17500001B15F000	SPRING,DRUM STOPPER	1	
E10-5.02	GE-01	210251170000	PIN,PLATE	1	
E10-6	GE-01	B06010300000	BALL(SD9)	1	
E10-7	GE-01	210351170000	DRUM STOPPER ASSY.	1	
E10-8	GE-01	210341170000	SPRING,DRUM STOPPER	1	
E10-9	GE-01	210431170000	COVER,SPRING	1	

E10-10	GE-01	210230.007000	WASHER X	2	
E10-11	GE-01	441031C03000	NUT,FLANGE(M6)	1	
E10-12.01	GE-01	210109.011000	DRUM ASSY.,GEARSHIFT	1	
E10-12.02	GE-01	219041170001	DRUM ASSY.,GEARSHIFT	1	
E10-13	GE-01	210303.013000	SHAFT,DRIVE FORK	1	
E10-14	GE-01	219111170000	FORK,CENTER GEARSHIFT	1	
E10-15	GE-01	B08010001200	CIRCLIPφ12	2	
E10-16	GE-01	17400004B15F000	COVER,SPRING I	1	
E10-17	GE-01	17400003B15F000	SPRING I	1	
E10-18.01	GE-01	17400008B15F000	PIN,RETURN SPRING	1	
E10-18.02	GE-01	210361170000	PIN,RETURN SPRING	1	
E10-19	GE-01	17420000B15F000	SHAFT,GEARSHIFT	1	
E10-20	GE-01	17410000B15F000	PLATE,GRARSHIFT	1	
E10-21	GE-01	17400001B15F000	WASHER I,GEARSHIFT	1	
E10-22	GE-01	17400005B15F000	COVER,SPRING II	1	
E10-23	GE-01	17400006B15F000	SPRING II	1	
E10-24	GE-01	17400002B15F000	WASHER II,GEARSHIFT	1	
E10-25	GE-01	17400007B15F000	WASHER III,GEARSHIFT	1	
E10-26.01	GE-01	210100.017000	SHAFT ASSY.,GEARSHIFT	1	
E10-26.02	GE-01	219011170000	SHAFT ASSY.,GEARSHIFT	1	
E10-27	GE-01	17500000B15F000	DRUM STOPPER ASSY.	1	
□□□□□7.8.9,□□17310002B15F000□□□,B09080302200□□□,17310001B15F000□□□□,□□□□□□□□□□□□12□□□□□□					
□□□□□□□□□□□□□□□□18,□□□□□□18.02□□□□□□□□□□□□					

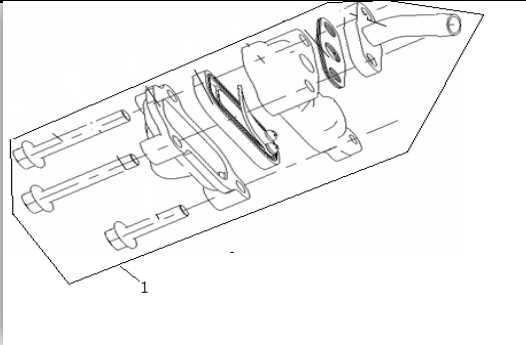
E11 RADIATOR ASSY(字字字字字)QJ1E40MB-2.09



NO.	Version	PART NO.	EN DESCRIPTION	QTY	STATE NO.
E11-1	GE-01	21111000B15F000	WATER MACHINE COMPONENT	1	
E11-2	GE-01	222225.001000	RADIATOR	1	
E11-3	GE-01	221218.006000	CLIP[TUBE]	4	
E11-4	GE-01	221219.008000	HOSE D[WATER]	1	
E11-5	GE-01	B01090601665	BOLT M6X16	2	
E11-6	GE-01	B07010008002	WASHER[PLAIN]	2	
E11-6	GE-01	21000005B15F000	RUBBER[RADIATOR SETTING]	2	
E11-7	GE-01	221108.003000	FAN ASSEMBLY	1	
E11-8	GE-01	221219.009000	HOSE C[WATER]	1	
E11-9	GE-01	B01090601665	BOLT M6X16	2	
E11-10	GE-01	221312.001000	BUSH	1	
E11-10	GE-01	221215.003000	SPRING	1	
E11-11	GE-01	221311.001000	FIXING SEAT[RADIATOR]	1	
E11-12	GE-01	304210600000	NUT M6	1	

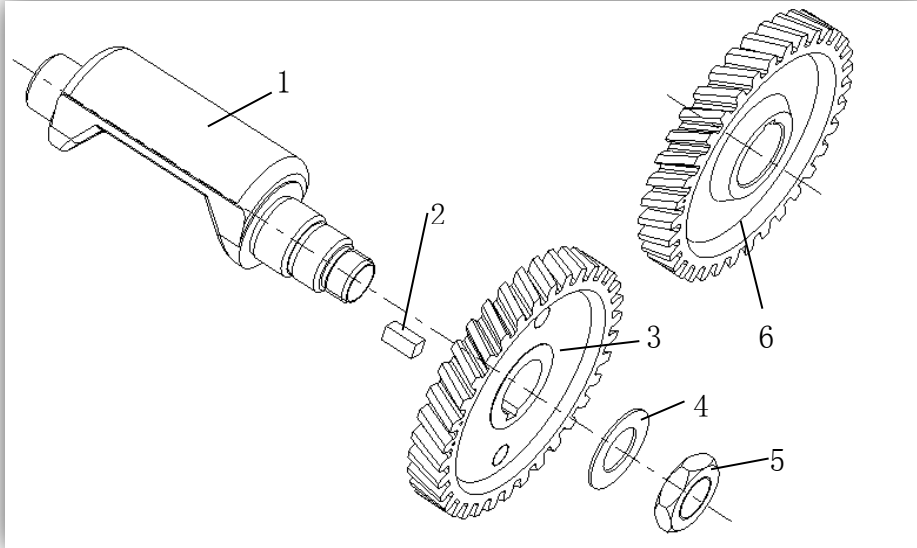
E11-12	GE-01	21100000B15F000	RADIATOR ASSY	1	
E11-14	GE-01	222120.002000	THE RMOSTAT	1	
NOTE:deleted NO.6,10,12,14,and NO.13,15,16 amend to NO.6,10,12,the NO.14 BELONGS IN PICTURE E01 #2					

E12 SECONDARY AIR ASSY 字字字字字字字QJ1E40MB-2.14



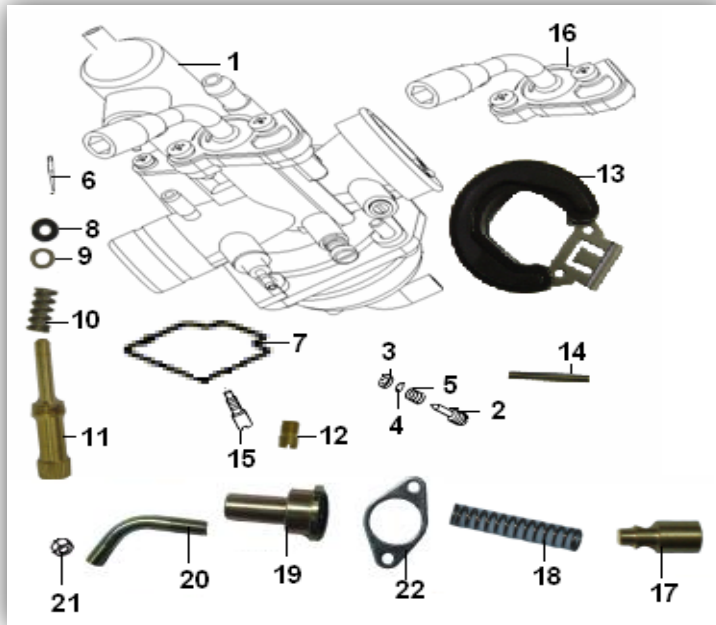
NO.	Version	PART NO.	EN DESCRIPTION	QTY	STATE NO.
E12-1	GE-01	229104.007000	AIR FEED	1	

E13 SHAFT ASSY.,BALANCER 力字字字字字力 QJ1E40MB-2.08



NO.	Version	PART NO.	EN DESCRIPTION	QTY	STATE NO.
E13-1	GE-01	208400.017000	SHAFT,BALANCER	1	
E13-2	GE-01	311730040008	KEY(B4X8)	1	
E13-3	GE-01	208401.008000	DRIVEN GEAR,BALANCER	1	
E13-4	GE-01	208427.009000	LOCK WASHER,BALANCER	1	
E13-5	GE-01	B04031212513	LOCK NUT,BALANCER M12×1.25	1	
E13-6	GE-01	208220.013000	DRIVE GEAR,BALANCER	1	

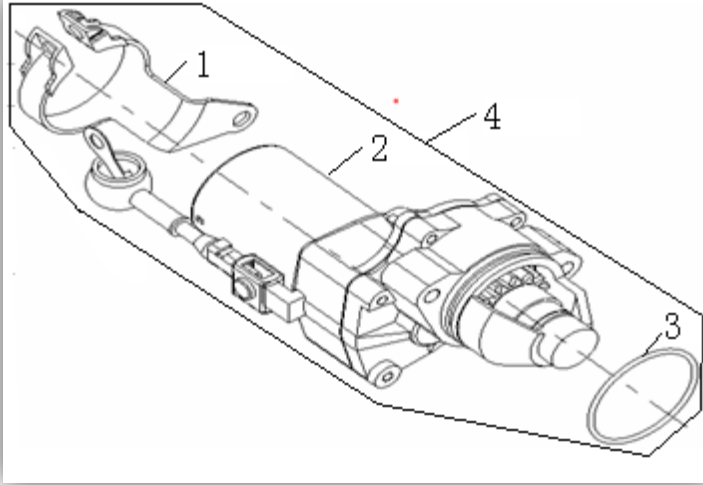
E14 CARBURETOR ASSY()QJ1E40MB-2.13B: PZ19JB-4()JB-3), 95



NO.	Version	PART NO.	EN DESCRIPTION	QTY	STATE NO.
E14-1	GE-01	224100.139000	CARBURETOR	1	
E14-2	GE-01	224237.019000	SCREW AIR	1	
E14-3	GE-01	224238.017000	O RING AIR SCREW	1	
E14-4	GE-01	224238.018000	WASHER AIR SCREW	1	
E14-5	GE-01	224228.017000	SPRING AIR SCREW	1	
E14-6	GE-01	224208.038000	JET NEEDLE, THROTTLE VALVE	1	
E14-7	GE-01	224416.017000	GASKET [] FLOAT CHAMBER	1	
E14-8	GE-01	224240.007000	O RING VALVE PISTON	1	
E14-9	GE-01	224240.008000	WASHER VALVE PISTON	1	
E14-10	GE-01	224229.011000	SPRING [] VALVE PISTON	1	
E14-11	GE-01	224239.012000	SCREW [] VALVE PISTON	1	
E14-12	GE-01	224202.071000	JET, MAIN	1	
E14-13	GE-01	224215.018000	FLOAT	1	

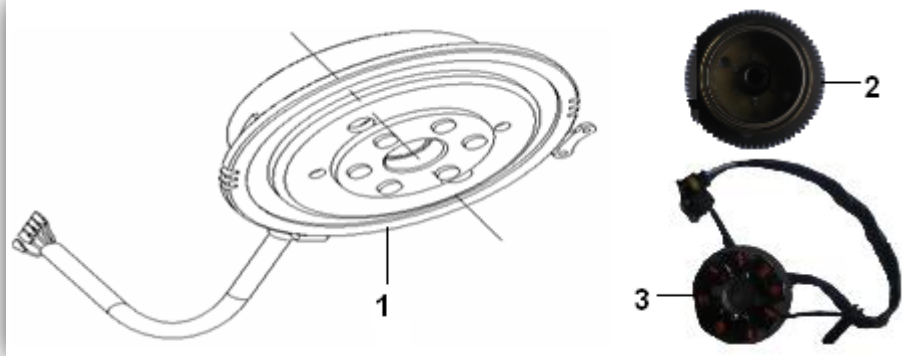
E14-14	GE-01	224222.020000	PIN, FLOAT	1	
E14-15	GE-01	224203.043000	JET, IDLE	1	
E14-16	GE-01	3326805E004X	COVER	1	
E14-17	GE-01	3370908M0000	VALVE PISTON ASSY	1	
E14-18	GE-01	3371808M0000	SPRING [7] VALVE PISTON	1	
E14-19	GE-01	3300205E0140	SEAT [7] VALVE PISTON	1	
E14-20	GE-01	33A010510140	PIPE [7] VALVE PISTON	1	
E14-21	GE-01	3326102E0000	NUT	1	
E14-22	GE-01	3360705E0000	FIXING BOARD	1	

E15 STARTING MOTOR 加字字字字字字字加 QJ1E40MB-2.07



NO.	Version	PART NO.	EN DESCRIPTION	QTY	STATE NO.
E15-1	GE-01	218422.001000	MOTOR FIXER	1	
E15-2	GE-01	218100.031000	STARTING MOTOR	1	
E15-3	GE-01	315138718000	O RING(38.7X1.8)	1	
E15-4	GE-01	218000.001000	STARTING MOTOR	1	

E16 GENERATOR(发电机) QJ1E40MB-2.06



NO.	Version	PART NO.	EN DESCRIPTION	QTY	STATE NO.
E16-1	GE-01	223100.005000	GENERATOR	1	
E16-2	GE-01	299021170000	STATOR ASSY	1	
E16-3	GE-01	299031170000	ROTOR ASSY	1	