



GENERIC



Trigger 50 SM og X

2011 Model
Engine: Side 1
Frame SM: Side 17
Frame X: Side 58

DESIGN  AUSTRIA

Reservedele



SCANDINAVIAN MACHINERY IMPORT ApS

Holtvej 8-10, Høruphav, 6470 Sydals

Telefon: +45 73 15 11 00

Fax: +45 73 15 11 01

info@scanmi.dk · www.scanmi.dk

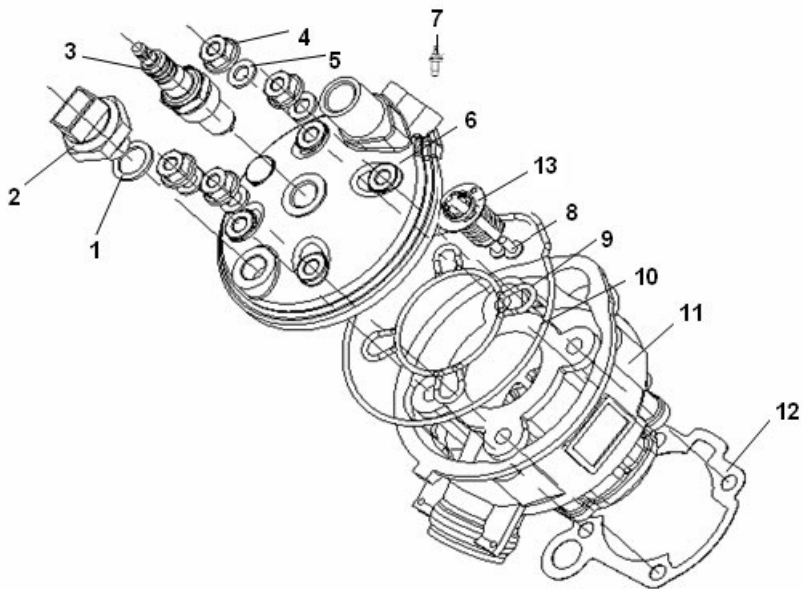
CVR: 27 73 31 07

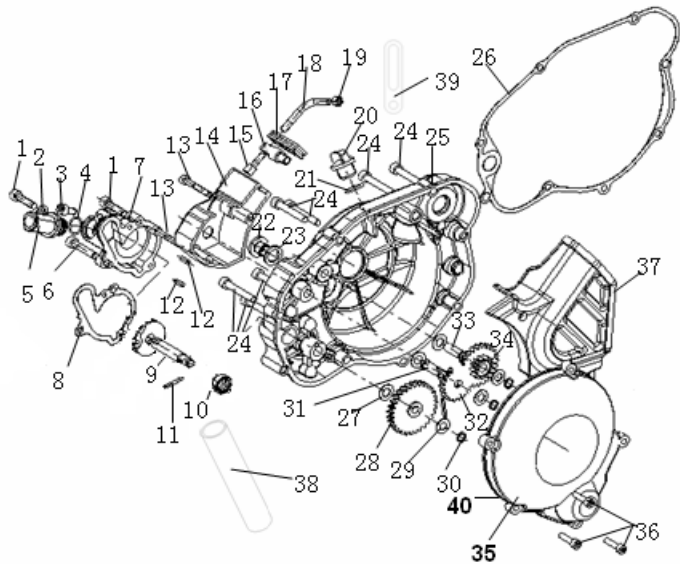
www.genericmotor.dk

November 2011

E01 CYLINDER HEAD ASSY(气缸盖总成)QJ1E40MB-2.01

NO.	PART NO.	DESCRIPTION	QTY
1	307991500320	WASHER	1
2	21300000B15F000	TEMPERATURE REGULATOR	1
3	299071170020	SPARK PLUG BR9ES	1
4	304290700068	HEXAGON NUT WITH FLANGE	4
5	31000006B15F000	WASHER,PLAIN	4
6	201200.087000	CYLINDER HEAD	1
6A	109061170030	CYLINDER HEAD	1
7	31300000B15F000	WATER TEMPERATURE REGULATOR	1
8	313050401065	SCREW M4X10	2
9	31000003B15F000	SMALL SEAL RING	1
10	31000004B15F000	BIG SEAL RING	1
11	25000002B15F000	CYLINDER	1
12	25000001B15F000	GASKER CYLINDER	1
13	30531N03F001	SENSOR,water temprature	1
13	31300000B15F000	WATER TEMPERATURE REGULATOR	1

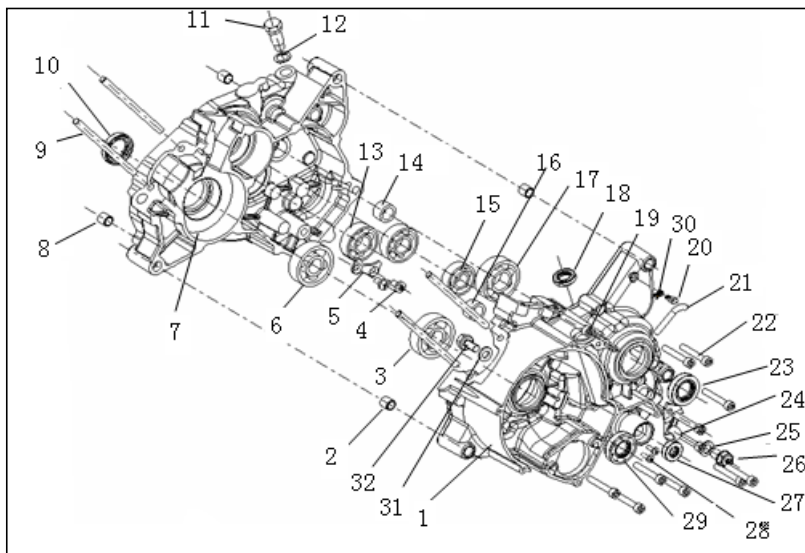




E02 CRANKCASE COVER ASSY(曲轴箱盖分总成)QJ1E40MB-2.10A:左盖GENERIC

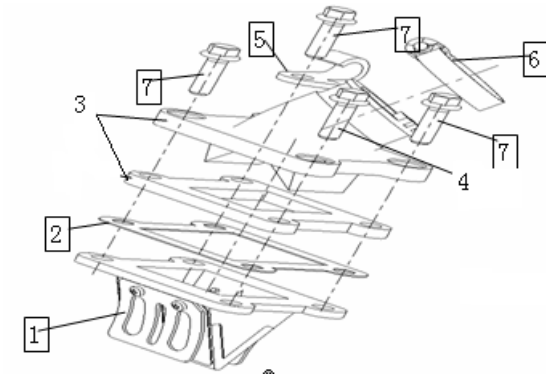
NO.	PART NO.	DESCRIPTION	QTY
1	B02040602585	BOLT M6X25	2
2	14000021B15F000	WASHER 6	1
3	B02040601285	BOLT M6X12	1
4	315114819010	O-RING	1
5	14000020B15F000	WATER OUTLET SEAT, WATER PUMP	1
6	B02040605585	BOLT M6X55	1
7	14000006B15F000	COVER, WATER PUMP	1
8	14000019B15F000	PAD, COVER, WATER PUMP	1
9	14200000B15F000	IMPELLER, WATER PUMP	1
10	14300000B15F000	MECHANICAL SEAL	1
11	14000023B15F000	DRIVE PIN	2
12	309040401010	PIN, DOWEL, WATER PUMP	2
13	B02040503585	BOLT M5X35	2
14	14000022B15F000	COVER, OIL PUMP	1
15	B02040602585	BOLT M6X25	2
16	14000013B15F000	OIL PUMP STEEL WIRE FIXING LEG	1
17	14000024B15F000	RUBBER PLUG	1
18	14000014B15F000	OIL PUMP-STEEL WIRE-REGULATING-SLEEVE	4
19	30426060000	NUT M6	1
20	14000016B15F000	CAP, OIL FILLER	1
21	PS2000G-321802A7	O-RING 13.3X2.65	1
22	14100000B15F000	BOLT M8X8	1
23	207346.005000	WASHER-PLAINT 8.5X12.5X1.5	4
24	B02040603063	BOLT M6X30	7
25	14000003B15F000	COVER, R.CRANKCASE	1
26	14000002B15F000	PAD, COVER, R.CRANKCASE	1
27	14000007B15F000	WASHER, PLAINT X III	3
28	14000005B15F000	GEAR, WATER PUMP	1
29	14000004B15F000	WASHER, PLAINT XII	4
30	B08080080000	CIRCLIP 8	3
31	14000008B15F000	JOINT SHAFT, OIL PUMP	1
32	14000018B15F000	DRIVE GEAR, OIL PUMP	1
33	14000009B15F000	MIDDLE SHAFT	1
34	14000011B15F000	MIDDLE GEAR	1

35	1400001B15F000	COVER, L.CRANKCASE	1
35	169021170030	COVER, L.CRANKCASE	1
36	B02040502085	BOLT M5X20	5
37	207201.051000	LEFT REAR COVER	4
38	321011200111	SILICA GEL PIPE	1
39	19213H08F000	CLIP, TUBE	2
40		GASKET CRANKCASE LEFT	1



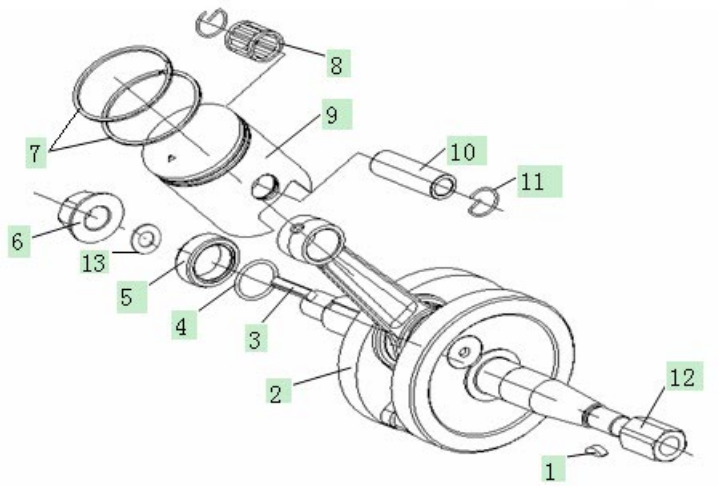
E03 CRANKCASE ASSY (曲轴箱分总成) QJ1E40MB-2.03

NO.	PART NO.	DESCRIPTION	QTY
1,01	26100007B15F000	CRANKCASE,LEFT	1
1,02	159041170001	CRANKCASE,LEFT	1
2	206505.010000	PIN,DOWEL	2
3	B12060303N64	BEARING,RADIAL BALL	1
4	302220601262	SCREW M6X12	2
5	206228.003000	BEARING PRESSURE PLATE	1
6	B12060303N64	BEARING,RADIAL BALL	1
7,01	206300.078000	CRANKCASE,RIGHT	1
7,02	159051170002	CRANKCASE,RIGHT	1
8	320070080121	PIN,DOWEL	2
9	206226.012000	STUDBOLT,CYLINDER	4
10	206243.001000	OIL SEAL II	1
11	26000005B15F000	LOCATING SCREW	1
12	206238.001000	WASHER	1
13	B12060203N70	BEARING,RADIAL BALL	2
14	312914201200	BEARING	1
15	B12060202N70	BEARING,RADIAL BALL	1
16	312914201200	BEARING	1
17	B12060204N70	BEARING,RADIAL BALL	1
18	317313524051	SEAL 13.7X24X5	1
19	302040605000	SCREW M6X50	1
20	26100006B15F000	HOSE,BREATHER	1
21	206208.018000	HOSE,BREATHER	1
22	B02040604085		12
23	206243.002000	OIL SEAL	1
24	202307.001000	CLUTCH STAY WIRE CLIP	1
25	206321.003000	WITHOUT ASBESTOS PAPER PAD	1
26	210112.021000	SHIFT SENOR	1
27	210341.002000	OIL SEAL	1
28	302210401200	CROSS RECESS PAN HEAD SCREW M4X12	2
29	206243.003000	OIL SEAL I	1
30	19217G02F00A	CLIP	1
31	18105H03F000	WASHER	1
32	B01090801263	BOLT	1



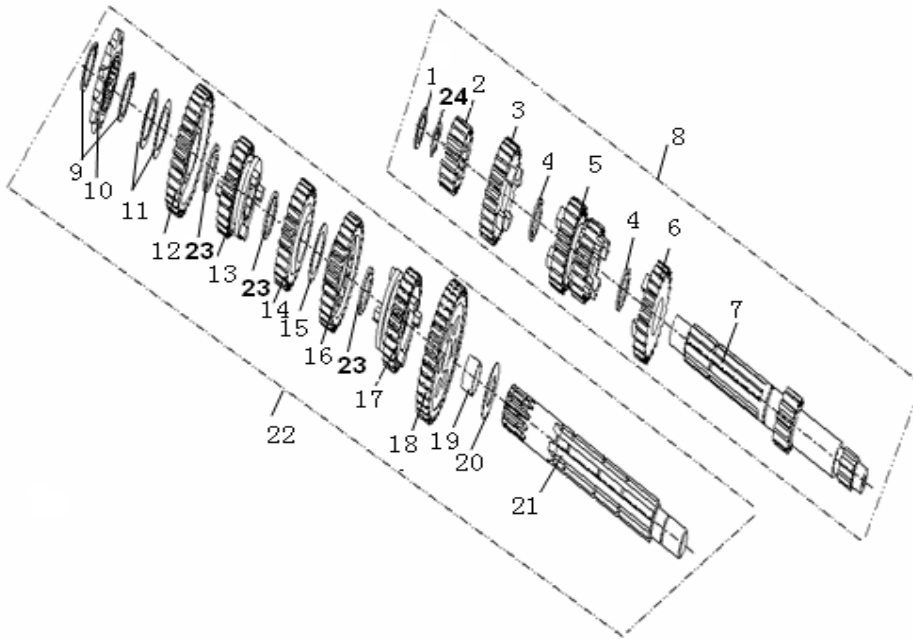
E04 REED VALVE AND AIR DUCT COMPONENTS (簧片阀及进气管部件)QJ1E40MB-2.12

NO.	PART NO.	DESCRIPTION	QTY
1	32102B20F000	REED VALVE COMPONENT	1
2	32101B20F000	PAD, REED VALVE	1
3	119011170002	AIR DUCT	1
4	206412.001472	SCREW	1
5	219237.001000	CLIP, OIL PUMP TUBE	1
6	270585050000	CLAMP	1
7	302040602065	SCREW	3



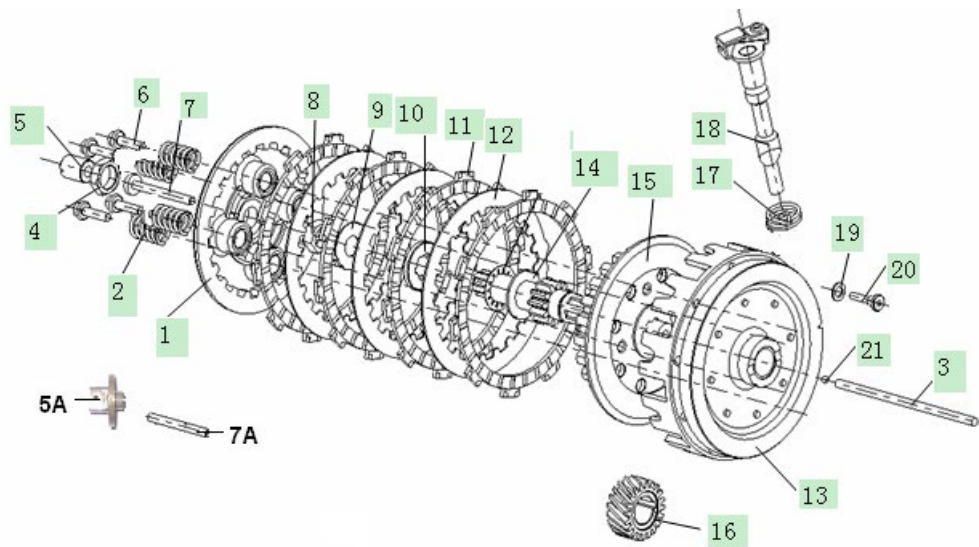
E05 PISTON,CONNECTING ROD & CRANKSHAFT ASSY(活塞连杆曲轴分总成)QJ1E40MB-2.02

NO.	PART NO.	DESCRIPTION	QTY
1	208421.003000	KEY	1
2	179011170001	CRANKSHAFT & CONROD ASSY	1
3	208421.006000	KEY B4X20	1
4	15000002B15F000	RING 15.5X1.5	1
5	208413.009000	CRANKSHAFT OIL SEALED BUSH	1
6	200181170000	NUT,LOCK	1
7	15100001B15F000	RING ASSY	1副
8	15100006B15F000	BEARING	1
9	179131170000	PISTON	1
10	15100004B15F000	PIN,PISTON	1
11	15100005B15F000	GIRCLIP	2
11	170092080000	CIRCLIP	2
12	208228.009000	NUT,LOCK	1
13	170131170000	WASHER[7]SPRING	1



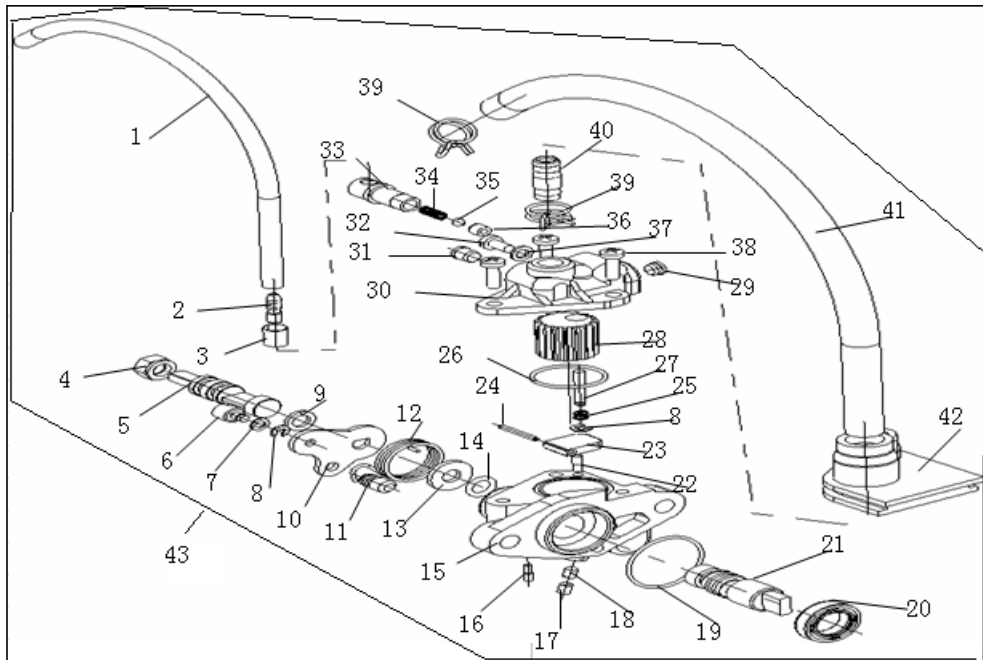
E06 主副轴组件(DRIVE&DRIVEN SHAFT ASSY.)QJ1E40MB-2.05.01,02

NO.	PART NO.	DESCRIPTION	QTY
1	B08010001400	CIRCLIP(14)	1
2	17100002B15F000	GEAR,2ND DRIVE	1
3	17100003B15F000	GEAR,6TH DRIVE	1
4	17100004B15F000	CIRCLIPφ18	2
5	17100005B15F000	GEAR,3RD&4TH DRIVE	1
6	17100006B15F000	GEAR,5TH DRIVE	1
7	17100007B15F000	SHAFT,DRIVE	1
8	219131170000	DRIVE SHAFT ASSY.	1
9	B08080200000	CIRCLIP(20)	2
10	17200015B15F000	SPROCKET	1
11	17200006B15F000	WASHER II	2
12	17200003B15F000	GEAR,2ND DRIVEN	1
13	17200004B15F000	GEAR,6TH DRIVEN	1
14	17200005B15F000	GEAR,4TH DRIVEN	1
15	17200012B15F000	WASHER V	1
16	17200011B15F000	GEAR,3RD DRIVEN	1
17	17200007B15F000	GEAR,5TH DRIVEN	1
18	17200008B15F000	GEAR,1ST DRIVEN	1
19	17200013B15F000	BUSH II	1
20	17200009B15F000	WASHER III	1
21	17200001B15F000	SHAFT,DRIVEN	1
22	209102.022000	DRIVEN SHAFT ASSY.	1
23	17225J01F930	CIRCLIPφ20	3
24	210491170000	WASHER	1



E07 CLUTCH 离合器部件QJ 零件名称

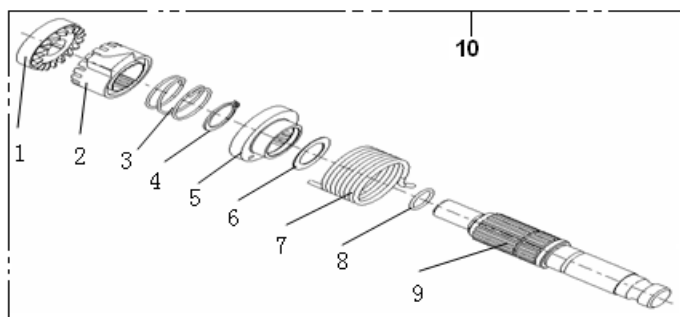
NO.	PART NO.	DESCRIPTION	使用数量 QTY
1	24000009B15F000	HUB,CLUTCHSLEEVE	1
1A	200101170001	HUB,CLUTCHSLEEVE	1
2	24000010B15F000	SPRING,CLUTCH	4
3	24000011B15F000	WASHER	4
4	24000013B15F000	NUT,LOCK	1
5	24000014B15F000	SCREW,LOCK	1
5A	200261170000	HANDSPIKE	1
6	B13010502003	HEXAGON BOLT WITH FLANGE	4
7	24000015B15F000	EXTERIOR SEPARATED CARRIER ROD	1
7A	200271170000	SCREW,LOCK	1
8	24000012B15F000	NUT,LOCK	1
9	24000008B15F000	WASHER,thust	1
10	24000004B15F000	INNER GEAR GASKER	1
11	24300000B15F000	FRICTION PLATE	4
12	24000007B15F000	PRESSURE PLATE	3
13	24000002B15F000	DISC-GASKER	4
14	24000003B15F000	WASHER, PLAIN	1
15	24000006B15F000	CENTER,CLUTCH	1
16	24100006B15F000	WASHER	4
17	24100005B15F000	SPRING	1
18	209051170003	SEPERATE PULL ROD WIELDING COMPONENT	1
18A	209051170003	SEPERATE PULL ROD WIELDING COMPONENT	1
19	307992012120	WASHER	1
20	24100007B15F000	LOCATING SCREWW	1
21	B06010130000	STELL BALL	1
22	24000001B15F000	INNER SEPARATED CARRIER ROD	1
23	24200000B15F000	CLUTCH DRUM COMP.	1
24	24000005B15F000	GEAR,DRIVE	1



E08 OIL PUMP ASSY(机油泵分总成)QJ1E40MB-2.11

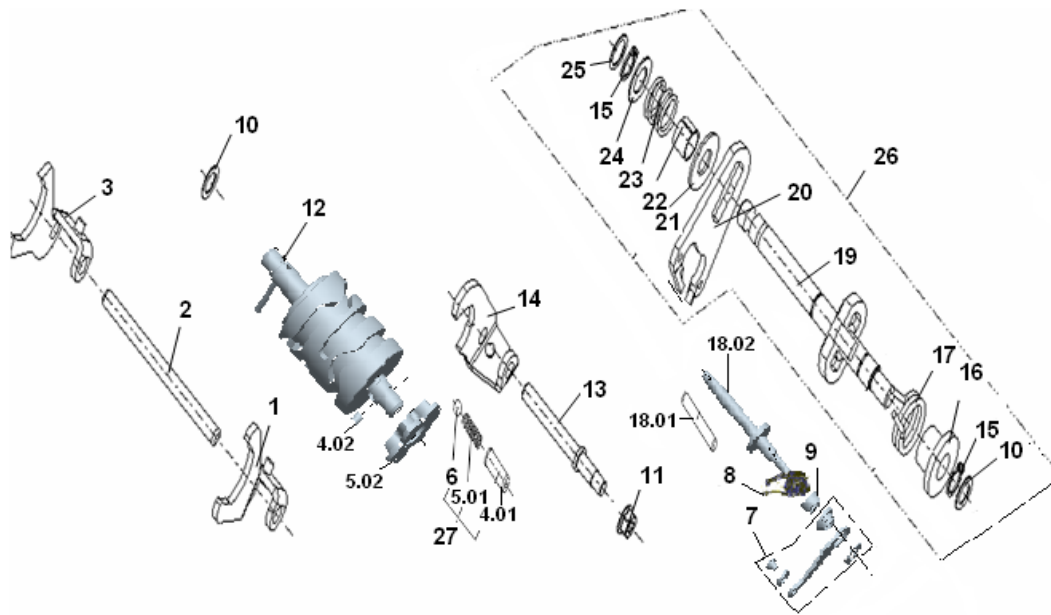
NO.	PART NO.	DESCRIPTION	QTY
1	38000002B15F000	OIL OUTLEAK TUBE	1
2	38121001B15F000	JOINT, OIL OUTLEAK PIPE	1
3	38000001B15F000	CLIP, OIL OUTLEAK PIPE	1
4	38110017B15F000	NUT	1
5	38110018B15F000	CAMSHAFT	1
6	38111004B15F000	SHAFT,	1
7	38111003B15F000	WASHER, PLAIN	1
8	B08100020000	CIRCLIP (OUTER) $\phi 2$	2
9	B07000005000	CIRCLIP	1
10	38111001B15F000	PAN,	1
11	38111002B15F000	SPRING FIXING SHAFT	1
12	38110015B15F000	SPRING	1
13	38110016B15F000	WASHER, PLAIN	1
14	B150200530D0	O-RING 5.3X1.8	1
15	38110001B15F000	OIL PUMP BODY	1
16	38110005B15F000	PIN C, DOWEL	1
17	38110013B15F000	PLUG	1
18	38110012B15F000	ADJUSTMENT BOLT	1
19	38110002B15F000	O-RING 19.5X1	4
19	260411170000	WASHER	1
20	38110003B15F000	OIL SEAL	1
21	38110004B15F000	GEAR	1
22	38110019B15F000	PIN C, DOWEL	1
23	38110010B15F000	FLUX ADJUSTMENT BOARD	1
24	38110011B15F000	SHAFT, ADJUSTMENT BOARD	1
25	38110009B15F000	SPRING	1
26	38110006B15F000	O-RING, SEALING	1

27	38110008B15F000	PLUG	1
28	38110007B15F000	SHAFT, OIL PUMP	1
29	38120003B15F000	PLUG I	1
30	38120001B15F000	COVER, OIL PUMP	1
31	38120005B15F000	PLUG II	1
32	B02000500685	BOLT M5X6	1
33	38121002B15F000	VALVE BODY	1
34	38121003B15F000	SPRING	1
35	B06010090000	STEEL BALL \varnothing 3.175	1
36	38121004B15F000	PLUG	1
37	38120004B15F000	WASHER, SEALING	1
38	B02210301020	BOLT M3X10	3
39	38000005B15F000	CLIP, TUBE	2
40	38120002B15F000	JOINT	1
41	38000004B15F000	TUBE	1
42	38000003B15F000	JACKET, OIL PIPE	1
43	38000000B15F000	OIL PUMP ASSY	1



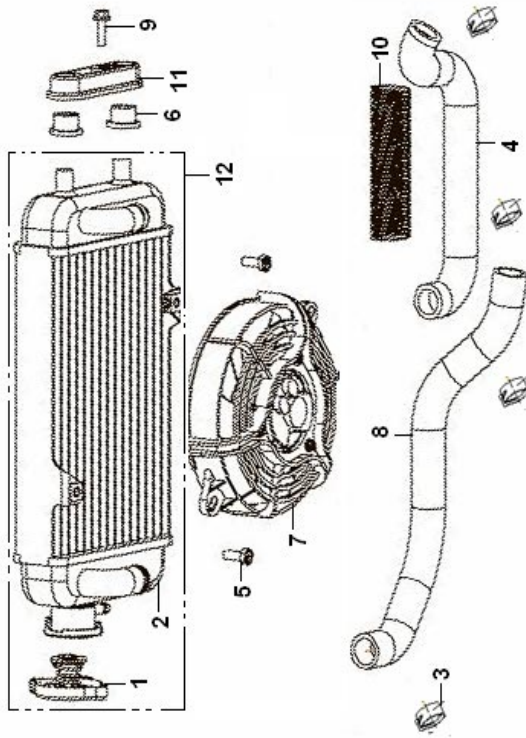
E09 KICK STARTER ASSY(脚启动轴组合)QJ1E40MB-2.05.06

NO.	PART NO.	DESCRIPTION	QTY
1	17600001B15F000	GEAR,KICK STARTER	1
2	17600002B15F000	RATCHET	1
3	17600003B15F000	SPRING,RATCHET	1
4	B08080180000	CIRCLIP(18)	1
5	17600004B15F000	SEAT,KICK STARTER SPRING	1
6	216409.001000	WASHER-XI	4
7	17600005B15F000	SPRING,KICK STARTER	1
8	17600007B15F000	O RING(12.5X1.5)	1
9	17600008B15F000	SHAFT,KICK STARTER	1
10	17600000B15F000	KICK STARTER ASSY	1



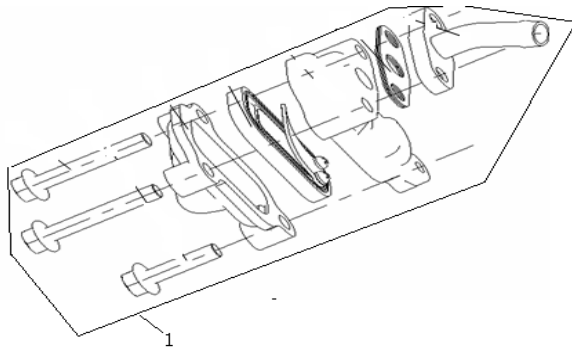
E10 变档机构组件(GEARSHIFT MECHANISM)QJ1E40MB-2.05.03,04,05

NO.	PART NO.	DESCRIPTION	QTY
1	219121170001	FORK,RIGHT GEARSHIFT	1
2	210303.012000	SHAFT,DRIVEN FORK	1
3	219101170001	FORK,LEFT GEARSHIFT	1
4,01	17500002B15F000	COVER, DRUM STOPPER	1
4,02	210291170000	DRUM STOPPER	1
5,01	17500001B15F000	SPRING,DRUM STOPPER	1
5,02	210251170000	PIN,PLATE	1
6	B06010300000	BALL(SD9)	1
7	210351170000	DRUM STOPPER ASSY.	1
8	210341170000	SPRING,DRUM STOPPER	1
9	210431170000	COVER,SPRING	1
10	210230.007000	WASHER X	2
11	441031C03000	NUT,FLANGE(M6)	1
12,01	210109.011000	DRUM ASSY.,GEARSHIFT	1
12,02	219041170001	DRUM ASSY.,GEARSHIFT	1
13	210303.013000	SHAFT,DRIVE FORK	1
14	219111170000	FORK,CENTER GEARSHIFT	1
15	B08010001200	CIRCLIP ϕ 12	2
16	17400004B15F000	COVER,SPRING I	1
17	17400003B15F000	SPRING I	1
18,01	17400008B15F000	PIN,RETURN SPRING	1
18,02	210361170000	PIN,RETURN SPRING	1
19	17420000B15F000	SHAFT,GEARSHIFT	1
20	17410000B15F000	PLATE,GRARSHIFT	1
21	17400001B15F000	WASHER I,GEARSHIFT	1
22	17400005B15F000	COVER,SPRING II	1
23	17400006B15F000	SPRING II	1
24	17400002B15F000	WASHER II,GEARSHIFT	1
25	17400007B15F000	WASHER III,GEARSHIFT	1
26,01	210100.017000	SHAFT ASSY.,GEARSHIFT	1
26,02	219011170000	SHAFT ASSY.,GEARSHIFT	1
27	17500000B15F000	DRUM STOPPER ASSY.	1



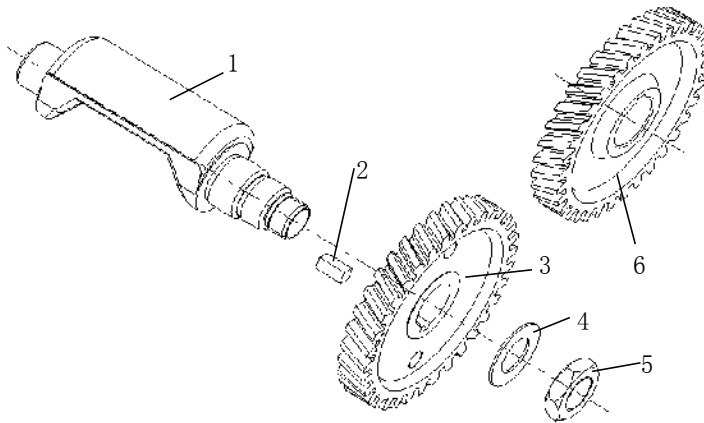
E11 RADIATOR ASSY(冷却器部件)QJ1E40MB-2.09

NO.	PART NO.	DESCRIPTION	QTY
1	21111000B15F000	WATER MACHINE COMPONENT	1
2	222225.001000	RADIATOR	1
3	221218.006000	CLIP, TUBE	4
4	221219.008000	HOSE D, WATER	1
5	B01090601665	BOLT M6X16	2
6	B07010008002	WASHER, PLAIN	2
6	21000005B15F000	RUBBER, RADIATOR SETTING	2
7	221108.003000	FAN ASSEMBLY	1
8	221219.009000	HOSE C, WATER	1
9	B01090601665	BOLT M6X16	2
10	221312.004000	BUSH	4
10	221215.003000	SPRING	1
11	221311.001000	FIXING SEAT, RADIATOR	1
12	304210600000	NUT-M6	4
12	21100000B15F000	RADIATOR ASSY	1
14	222120.002000	THE RMOSTAT	4



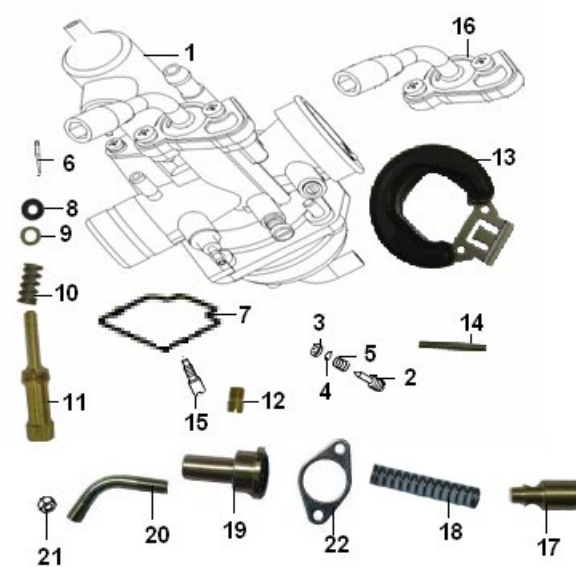
E12 SECONDARY AIR ASSY 二次补气分总成 QJ1E40MB-2.14

NO.	PART NO.	DESCRIPTION	QTY
1	229104.007000	AIR FEED	1



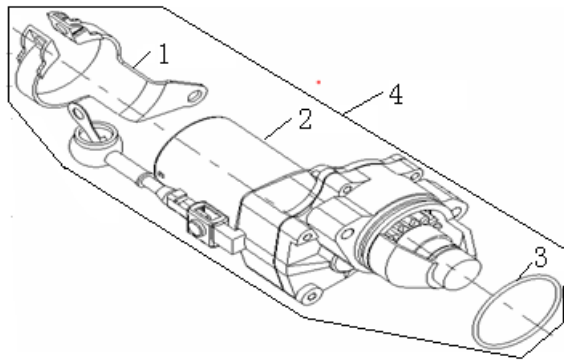
E13 SHAFT ASSY.,BALANCER (平衡轴组件) QJ1E40MB-2.08

NO.	PART NO.	DESCRIPTION	QTY
1	208400.017000	SHAFT,BALANCER	1
2	311730040008	KEY(B4X8)	1
3	208401.008000	DRIVEN GEAR,BALANCER	1
4	208427.009000	LOCK WASHER,BALANCER	4
5	208228.010000	LOCK NUT,BALANCER	1
6	208220.013000	DRIVE GEAR,BALANCER	1



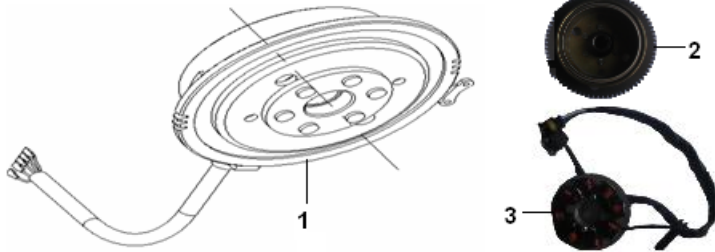
E14 CARBURETOR ASSY(化油器分总成)QJ1E40MB-2.13B:化油器用PZ19JB-4(下壳体JB-3),主量孔95

NO.	PART NO.	DESCRIPTION	QTY
1	224100.139000	CARBURETOR	1
2	224237.019000	SCREW□AIR	1
3	224238.017000	O RING□AIR SCREW	1
4	224238.018000	WASHER□AIR SCREW	1
5	224228.017000	SPRING□AIR SCREW	1
6	224208.038000	JET NEEDLE, THROTTLE VALVE	1
7	224416.017000	GASKET, FLOAT CHAMBER	1
8	224240.007000	O RING, VALVE PISTON	1
9	224240.008000	WASHER, VALVE PISTON	1
10	224229.011000	SPRING, VALVE PISTON	1
11	224239.012000	SCREW, VALVE PISTON	1
12	224202.071000	JET, MAIN	1
14	224215.018000	FLOAT	1
13	224222.020000	PIN, FLOAT	1
15	224203.043000	JET, IDLE	1
16	3326805E004X	COVER	1
17	3370908M0000	VALVE PISTON ASSY	1
18	3371808M0000	SPRING, VALVE PISTON	1
19	3300205E0140	SEAT, VALVE PISTON	1
20	33A010510140	PIPE, VALVE PISTON	1
21	3326102E0000	NUT	1
22	3360705E0000	FIXING BOARD	1



E15 STARTING MOTOR (启动马达分总成) QJ1E40MB-2.07

NO.	PART NO.	DESCRIPTION	QTY
1	218422.001000	MOTOR FIXER	1
2	218100.031000	STARTING MOTOR	1
3	315138718000	O RING(38.7X1.8)	1
4	218000.001000	STARTING MOTOR	1



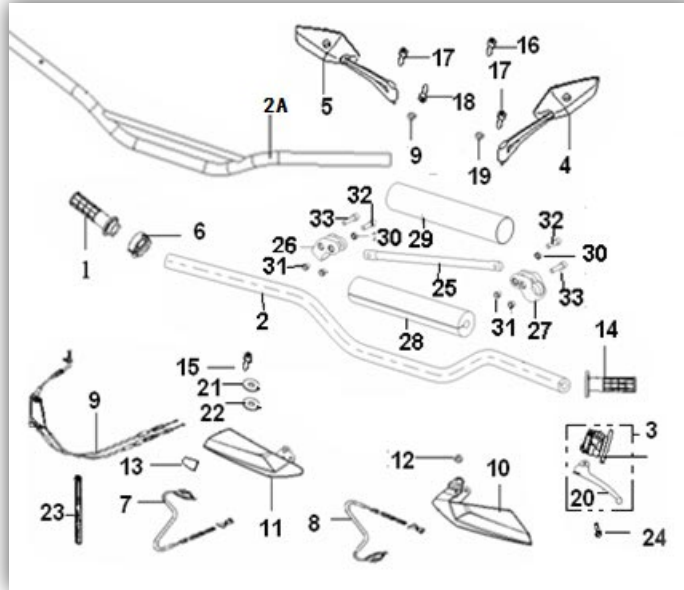
GENERATOR(磁电机分总成) QJ1E40MB-2.06

NO.	PART NO.	DESCRIPTION	QTY
1	223100.005000	GENERATOR	1
2	299021170000	STATOR ASSY	1
3	299031170000	ROTOR ASSY	1

JCK-(Q48-01)-QJ50-23A 45KM 1-G
 JCK Q48-01 QJ50-23A-1E
 JCK Q48-01 QJ50-23A-2E
 JCK Q48-01 QJ50-23A-1F
 JCK(Q48-01)-QJ50-23A 45KM competition. 1-H
 JCK Q48-01 QJ50-23A-1D
 JCK Q48-01 QJ50-23A(45KM)-1C

GE-02	GE-03
GE-05	

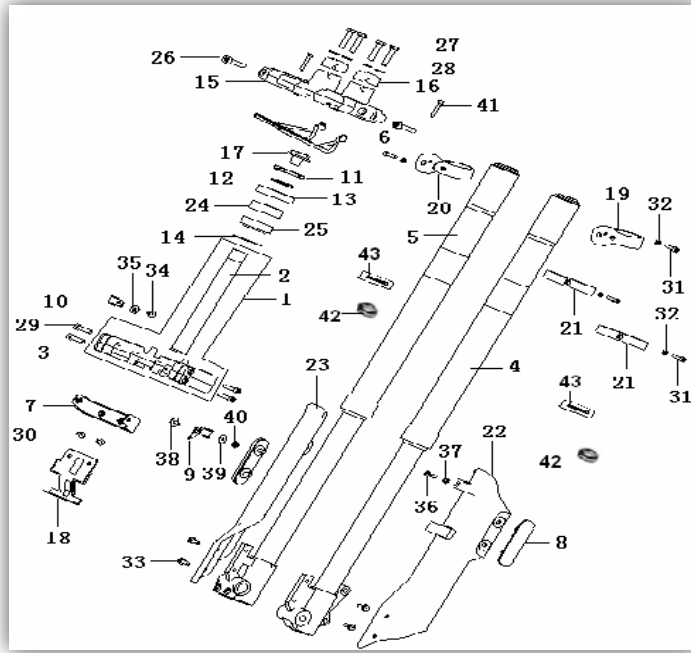
F01 CONTROL ASSY.



NO.	Version	Commercial name	PART NO.	EN DESCRIPTION	QTY	QTY SP AT
F01-1	GE-01	Trigger SM/ CMPT SM	40210D010000	R GRIP ASSY	1	
F01-2	GE-01	Trigger SM/ CMPT SM	40101D010001	HANDLE COMP aluminium	1	
F01-2A	GE-01	Trigger SM	40100D010000	HANDLE COMP,iron	1	
F01-3	GE-01	Trigger SM/ CMPT SM	40080D010000	LEVER ASSY ,L	1	
F01-4	GE-01	Trigger SM/ CMPT SM	40450D010000	BACK MIRROR ASSY ,LEFT	1	
F01-5	GE-01	Trigger SM/ CMPT SM	40480D010000	BACK MIRROR ASSY ,RIGHT	1	
F01-6	GE-01	Trigger SM/ CMPT SM	40320D010000	CAP THROTTLE	1	
F01-7	GE-02	Trigger SM/ CMPT SM	40400D010001	CLUTCH CABLE	1	
F01-8	GE-02	Trigger SM/ CMPT SM	40350D010001	CHOKE CABLE	1	
F01-9	GE-02	Trigger SM/ CMPT SM	40300D010003	THROTTLE CABLE	1	
F01-10	GE-01	Trigger SM/ CMPT SM	65003D01W500	COVER,HANDLE,LH WHITE W5	1	
F01-11	GE-01	Trigger SM/ CMPT SM	65004D01W500	COVER,HANDLE,RH WHITE W5	1	
F01-12	GE-01	Trigger SM/ CMPT SM	65006D010000	SPACER	1	
F01-13	GE-01	Trigger SM/ CMPT SM	40017D010000	JACKET CLUTCH CABLE	1	
F01-14	GE-01	Trigger SM/ CMPT SM	40001D010000	GRIP,LH	1	
F01-15	GE-01	Trigger SM/ CMPT SM	B02000501025	SCREW M5x10MM	1	
F01-16	GE-01	Trigger SM/ CMPT SM	B02050803065	SCREW M8x30MM	1	
F01-17	GE-01	Trigger SM/ CMPT SM	40011D010000	COVER	2	
F01-18	GE-01	Trigger SM/ CMPT SM	08001B380000	SCREW	1	
F01-19	GE-01	Trigger SM/ CMPT SM	B07000000805	WASHER 8MM	2	
F01-20	GE-01	Trigger SM/ CMPT SM	40084D010000	LEFT GRIP	1	
F01-21	GE-01	Trigger SM/ CMPT SM	B07030000505	WASHER 5MM	1	
F01-22	GE-01	Trigger SM/ CMPT SM	B07000000505	WASHER 5MM	1	
F01-23	GE-01	Trigger SM/ CMPT SM	96001J000000	BAND 7x150MM	1	
F01-24	GE-01	Trigger SM/ CMPT SM	B01090601065	BOLT M6x10MM	1	
F01-25	GE-01	Trigger SM/ CMPT SM	40043D010000	PROTECT ROD	1	
F01-26	GE-01	Trigger SM/ CMPT SM	40041D010000	HOLDER LEFT PROTECT	1	
F01-27	GE-01	Trigger SM/ CMPT SM	40042D010000	HOLDER RIGHT PROTECT	1	
F01-28	GE-01	Trigger SM/ CMPT SM	40005D010000	PAD,SPONGE	1	
F01-29	GE-01	Trigger SM/ CMPT SM	40901D010000	PROTECT SLEEVE	1	
F01-30	GE-01	Trigger SM/ CMPT SM	40047B470000	BUSH	4	

F01-31	GE-01	Trigger SM/ CMPT SM	40046B470000	BUSH	2	
F01-32	GE-01	Trigger SM/ CMPT SM	B02050602065	SCREW M6×20MM	2	
F01-33	GE-01	Trigger SM/ CMPT SM	B02050602565	SCREW M6×25MM	2	

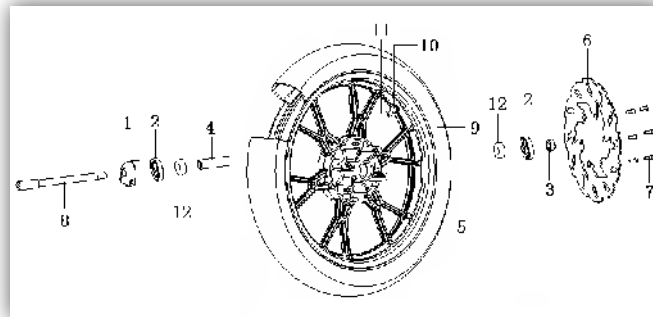
F02 字字字字 FRONT FORK ASSY



NO.	Version	Commercial name	PART NO.	EN DESCRIPTION	QTY	Unit
F02-1	GE-01	Trigger SM/ CMPT SM	43100D010000	UNDER BRACKET COMP.	1	
F02-2	GE-01	Trigger SM/ CMPT SM	43101D010000	DIRECTION MAST	1	
F02-3	GE-01	Trigger SM/ CMPT SM	43102D010000	UNDER BRACKET	1	
F02-4	GE-01	Trigger SM/ CMPT SM	43200D030001	F.L. FORK ASSY.GOLDEN	1	
F02-4	GE-01	Trigger SM/ CMPT SM	43200D03HV01	F.L. FORK ASSY.SILVER	1	
F02-4	GE-01	Trigger SM/ CMPT SM	43200D03BH01	F.L. FORK ASSY.BLACK	1	
F02-5	GE-01	Trigger SM/ CMPT SM	43300D030001	F.R. FORK ASSY.GOLDEN	1	
F02-5	GE-01	Trigger SM/ CMPT SM	43300D03HV01	F.R. FORK ASSY.SILVER	1	
F02-5	GE-01	Trigger SM/ CMPT SM	43300D03BH01	F.R. FORK ASSY.BLACK	1	
F02-6	GE-01	Trigger SM	65490D010000	METER SUPPORT COMP	1	
F02-6	GE-01	Trigger CMPT SM	65490J690000	METER SUPPORT COMP	1	
F02-7	GE-01	Trigger SM/ CMPT SM	65550D010000	BLEED COVER INSTALL PLANK	1	
F02-8	GE-01	Trigger SM/ CMPT SM	86300D010000	SIDE REFLECTOR	2	
F02-9	GE-01	Trigger SM	43061D010000	CLIP	1	
F02-9	GE-01	Trigger CMPT SM	43061D010010	CLIP	1	1H
F02-10	GE-02	Trigger SM/ CMPT SM	43070D010020	CLIP	1	
F02-11	GE-01	Trigger SM/ CMPT SM	43008D010000	NUT	1	
F02-12	GE-01	Trigger SM/ CMPT SM	43022D010000	BALL RACE COVER II	1	
F02-13	GE-01	Trigger SM/ CMPT SM	43005D010000	BALL RACE COVER I	1	
F02-14	GE-01	Trigger SM/ CMPT SM	43018D010000	WASHER DIRECTION MAST	1	
F02-15	GE-01	Trigger SM/ CMPT SM	43011D010000	UPPER BRACKET	1	
F02-16	GE-01	Trigger SM/ CMPT SM	43014D010000	CAP,HANDLE UPPER	2	
F02-17	GE-01	Trigger SM/ CMPT SM	43049D010000	BOLT,STEERING STEM	1	
F02-18	GE-01	Trigger SM	65541D010000	BLEED COVER SUPPORT	1	
F02-18	GE-01	Trigger CMPT SM	65541D010001	BLEED COVER SUPPORT	1	1H
F02-19	GE-01	Trigger SM	81106D010000	F.L.TURN SIGNAL SEAT	1	
F02-20	GE-01	Trigger SM	81306D010000	F.R.TURN SIGNAL SEAT	1	
F02-21	GE-01	Trigger SM/ CMPT SM	43035D010000	BRAKE HOSE HOLDER	2	
F02-22	GE-01	Trigger SM/ CMPT SM	43053D01W500	COVER F.L. FORK ASSY.WHITE W5	1	1F
F02-22	GE-01	Trigger SM/ CMPT SM	43053D01BH00	COVER F.L. FORK ASSY.BLACK BH	1	1F
F02-23	GE-01	Trigger SM/ CMPT SM	43054D01W500	COVER F.R. FORK ASSY.WHITE W5	1	1F
F02-23	GE-01	Trigger SM/ CMPT SM	43054D01BH00	COVER F.R. FORK ASSY.BLACK BH	1	1F
F02-24	GE-01	Trigger SM/ CMPT SM	B12016020500	BEARING 6205-2RS	1	
F02-25	GE-01	Trigger SM/ CMPT SM	B12133020500	BEARING 30205	1	
F02-26	GE-01	Trigger SM/ CMPT SM	B02050804065	SCREW M8×40MM	2	

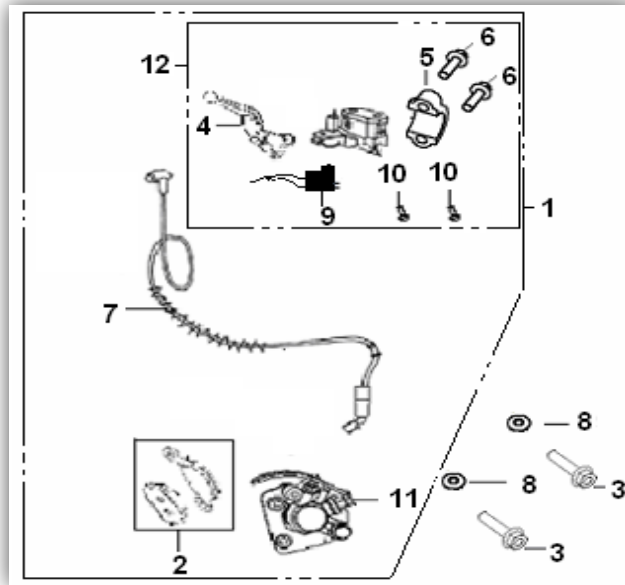
F02-27	GE-01	Trigger SM/ CMPT SM	B02050803565	SCREW M8×35MM	4	
F02-28	GE-01	Trigger SM/ CMPT SM	B07030000805	WASHER 8MM	4	
F02-29	GE-01	Trigger SM/ CMPT SM	B02050603065	SCREW M6×30MM	4	
F02-30	GE-01	Trigger SM/ CMPT SM	B13010501205	SCREW M5×12MM	2	
F02-31	GE-01	Trigger SM/ CMPT SM	B02000501225	SCREW M5×25MM	4	
F02-32	GE-01	Trigger SM/ CMPT SM	B04020500015	NUT M5MM	4	
F02-33	GE-01	Trigger SM/ CMPT SM	B13010601605	SCREW M6×16MM	4	
F02-34	GE-01	Trigger SM/ CMPT SM	B01090501265	BOLT M5×12MM	1	
F02-35	GE-01	Trigger SM/ CMPT SM	B07020000505	WASHER 5MM	1	
F02-36	GE-01	Trigger SM/ CMPT SM	B02000502025	SCREW M5×20MM	1	
F02-37	GE-01	Trigger SM/ CMPT SM	B04000500055	NUT M5MM	1	
F02-38	GE-01	Trigger SM/ CMPT SM	B01090501265	BOLT M5×12MM	1	
F02-39	GE-01	Trigger SM/ CMPT SM	B07020000505	WASHER 5MM	1	
F02-40	GE-01	Trigger SM/ CMPT SM	B04170500065	NUT M5MM	1	
F02-41	GE-01	Trigger SM/ CMPT SM	B02050503065	SCREW M5×30MM	2	
F02-42	GE-01	Trigger SM/ CMPT SM	43206D010000	COVER, ANTI-DUST	2	
F02-43	GE-01	Trigger SM/ CMPT SM	43260D010000	OIL SEAL	2	

F03 字号 FRONT WHEEL ASSY



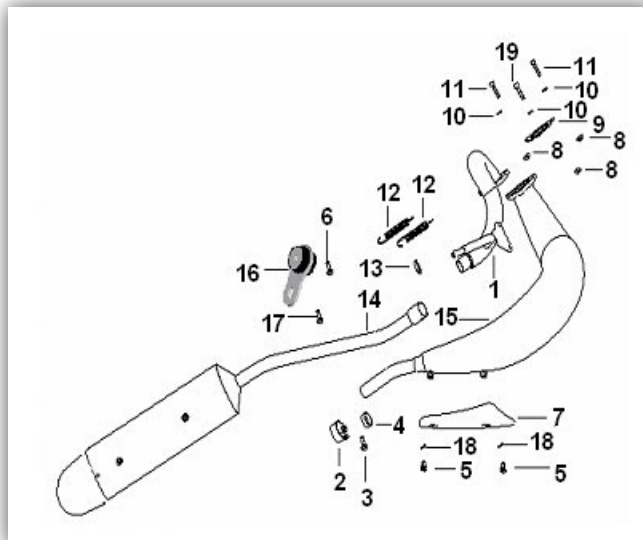
图号	版次	商业名称	零件号	英文描述	数量	备注
NO.	Version	Commercial name	PART NO.	EN DESCRIPTION	QTY	ATT
F03-1	GE-01	Trigger SM/ CMPT SM	44200D030001	SEAT ASSY.IGEAR	1	
F03-2	GE-01	Trigger SM/ CMPT SM	44300B910000	DUST SEAL ASSY	2	
F03-3	GE-01	Trigger SM/ CMPT SM	44005D010000	BUSH, FRONT WHEEL	1	
F03-4	GE-01	Trigger SM/ CMPT SM	44600D010000	SPACER,CENTER ASSY	1	
F03-5	GE-01	Trigger SM/ CMPT SM	44101D03BH00	RIM, FRONT WHEEL	1	
F03-5	GE-01	Trigger SM	44101D03HV00	RIM, FRONT WHEEL SILVER HV	1	
F03-6	GE-01	Trigger SM/ CMPT SM	45033D030000	FRONT BRAKE DISK	1	
F03-7	GE-01	Trigger SM/ CMPT SM	45036D010000	BOLT, BRAKE DISK	6	
F03-8	GE-01	Trigger SM/ CMPT SM	44004D010030	AXIL,FRONT WHEEL	1	
F03-9	GE-01	Trigger SM/ CMPT SM	B140505E1721	TUBE 100/80-17	1	
F03-10	GE-01	Trigger SM/ CMPT SM	B1403Z203300	VALVE Z2-01-1	1	
F03-11	GE-01	Trigger SM/ CMPT SM	B1404Z2011A0	CAP, VALVE A	1	
F03-12	GE-01	Trigger SM/ CMPT SM	B12016020200	BEARING 6202-2RS	2	

F04 字字字字字 FRONT DISC BRAKE



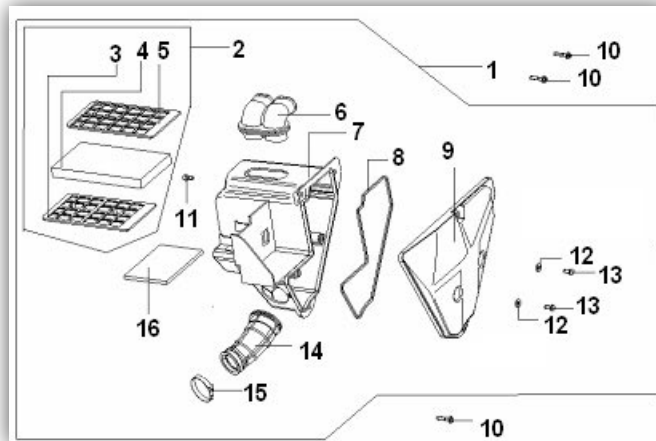
NO.	Version	Commercial name	PART NO.	EN DESCRIPTION	QTY	UNIT
F04-1	GE-02	Trigger SM/ CMPT SM	55900D010000	DISK BRAKE ASSY.	1	
F04-2	GE-01	Trigger SM/ CMPT SM	45110D010000	BRAKE SHOE ASSY	1	
F04-3	GE-02	Trigger SM/ CMPT SM	08012B920000	BOLT M8×34MM	2	
F04-4	GE-01	Trigger SM/ CMPT SM	45022D010000	LEVER, DISK BRAKE	1	
F04-5	GE-01	Trigger SM/ CMPT SM	45023D010000	COVER	1	
F04-6	GE-01	Trigger SM/ CMPT SM	B02050602565	SCREW M6×25MM	2	
F04-7	GE-01	Trigger SM/ CMPT SM	45200D030000	BRAKE TUBE ASSY	1	
F04-8	GE-01	Trigger SM/ CMPT SM	B07030000804	WASHER 8MM	2	
F04-9	GE-01	Trigger SM/ CMPT SM	45300D010000	BRAKE SWITCH ASSY	1	
F04-9	GE-01	Trigger SM/ CMPT SM	45300D010000	BRAKE SWITCH ASSY	1	
F04-10	GE-01	Trigger SM/ CMPT SM	B02000201225	SCREW M2×12MM	2	
F04-10	GE-01	Trigger SM/ CMPT SM	B02040301223	SCREW M3×12MM	2	
F04-11	GE-01	Trigger SM/ CMPT SM	45500D030000	BRAKE PUMP	1	
F04-12	GE-01	Trigger SM/ CMPT SM	45400D010000	MASTER CYLINDER ASSY.	1	

F05 ㊦㊦㊦ MUFFLER ASSY



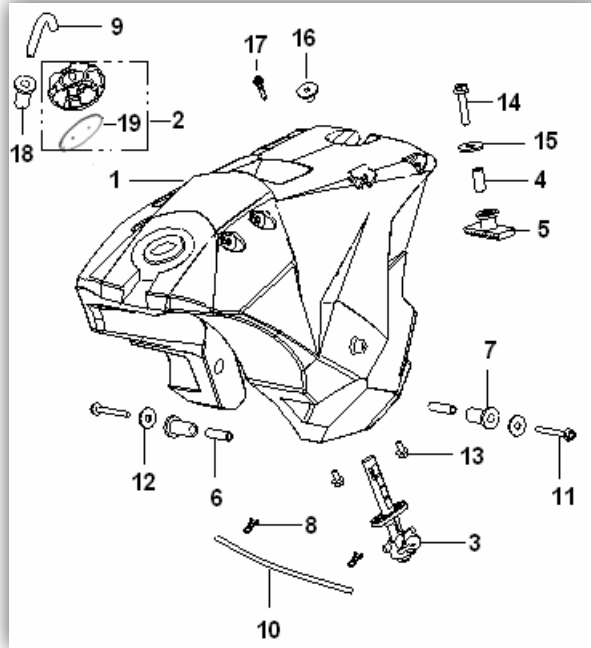
㊦	㊦	㊦	㊦	㊦	㊦	㊦
NO.	Version	Commercial name	PART NO.	EN DESCRIPTION	QTY	QTY SP AT
F05-1	GE-01	Trigger X	47500D010001	EXHAUST PIPE,ASSY	1	
F05-1	GE-02	Trigger SM/ CMPT SM	47500D010004	EXHAUST PIPE,ASSY	1	
F05-2	GE-01	Trigger SM/ CMPT SM	47150D010000	CLAMP,ASSY	1	
F05-3	GE-01	Trigger SM/ CMPT SM	B01090602565	BOLT M6×25MM	1	
F05-4	GE-01	Trigger SM/ CMPT SM	47035D010000	SPACE	1	
F05-5	GE-01	Trigger SM/ CMPT SM	B02000601025	SCREW M6×10MM	2	
F05-6	GE-01	Trigger SM/ CMPT SM	B01090602065	BOLT M6×20MM	1	
F05-7	GE-01	Trigger SM/ CMPT SM	47009D010000	COVERPROTECTOR	1	
F05-8	GE-01	Trigger SM/ CMPT SM	B04070600055	NUT M6MM	3	
F05-9	GE-01	Trigger SM/ CMPT SM	47121D010000	GASKET, MUFFLER	1	
F05-10	GE-01	Trigger SM/ CMPT SM	B07030000605	WASHER 6MM	3	
F05-11	GE-01	Trigger SM/ CMPT SM	B02050602565	SCREW M6×25MM	2	
F05-12	GE-01	Trigger SM/ CMPT SM	47041D010000	SPRING	2	
F05-13	GE-02	Trigger SM/ CMPT SM	53303D010000	GASKET	1	
F05-14	GE-01	Trigger SM/ CMPT SM	48200D010000	MUFFLER COMP,BACK	1	
F05-15	GE-01	Trigger SM/ CMPT SM	47200D010000	MUFFLER COMP,FRONT	1	
F05-16	GE-01	Trigger SM/ CMPT SM	47600D050000	RUBBER CUSHION ASSY	1	
F05-17	GE-01	Trigger SM/ CMPT SM	B01090601265	BOLT M6×12MM	1	
F05-18	GE-01	Trigger SM/ CMPT SM	B07030000605	WASHER 6MM	2	
F05-19	GE-02	Trigger SM/ CMPT SM	08013B920010	SCREW	1	

F06 图图图 AIR CLEANER ASSY.



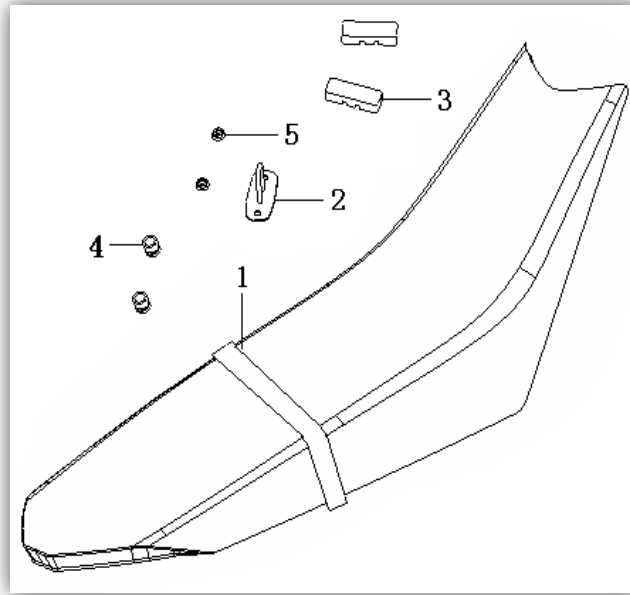
图图 NO.	图图 Version	图图图 Commercial name	图图图 PART NO.	图图图 EN DESCRIPTION	图图图 QTY	图图 QTY SP AT
F06-1	GE-02	Trigger SM/ CMPT SM	49000D010000	AIR CLEANER ASSY.	1	
F06-2	GE-01	Trigger SM/ CMPT SM	49200D010000	AIR ELEMENT ASSY.	1	
F06-3	GE-01	Trigger SM/ CMPT SM	49204D010000	FILTRATE1	1	
F06-4	GE-01	Trigger SM/ CMPT SM	49202D010000	SPONGE AIR ELEMENT	1	
F06-5	GE-01	Trigger SM/ CMPT SM	49207D010000	FILTRATE2	1	
F06-6	GE-01	Trigger SM/ CMPT SM	49002D010000	GUIDE PIPE	1	
F06-7	GE-01	Trigger SM/ CMPT SM	49100D010000	CASE, AIR CLEANER ASSY	1	
F06-8	GE-01	Trigger SM/ CMPT SM	49013D010000	SEAL GASKET	1	
F06-9	GE-01	Trigger SM/ CMPT SM	49001D010000	COVER, AIR CLEANER	1	
F06-10	GE-01	Trigger SM/ CMPT SM	B13060502505	SCREW M5×25MM	3	
F06-11	GE-01	Trigger SM/ CMPT SM	B02000501625	SCREW M5×16MM	1	
F06-12	GE-01	Trigger SM/ CMPT SM	49022D010000	GROMMET	2	
F06-13	GE-01	Trigger SM/ CMPT SM	B13060501205	SCREW M5×12MM	2	
F06-14	GE-01	Trigger SM/ CMPT SM	49005D010000	CONNECTTING PIPE	1	
F06-15	GE-01	Trigger SM/ CMPT SM	49350G120000	CLIP	1	
F06-16	GE-01	Trigger SM/ CMPT SM	49003D010000	SPONGE	1	

F07 字字字字字 FUEL TANK ASSY.



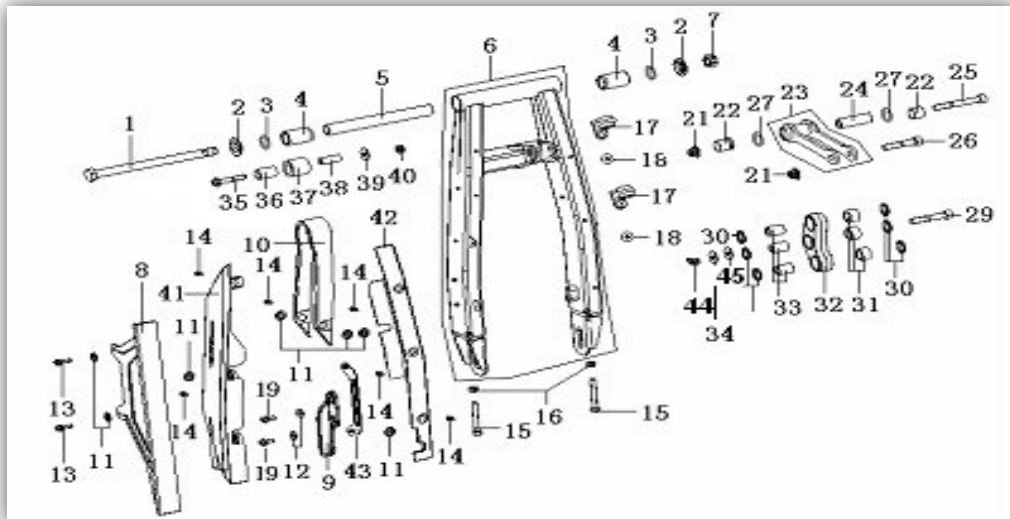
图号	版次	商业名称	零件号	英文描述	数量	备料
NO.	Version	Commercial name	PART NO.	EN DESCRIPTION	QTY	ST AT
F07-1	GE-01	Trigger SM/ CMPT SM	50100D010000	FUEL TANK ASSY	1	
F07-2	GE-01	Trigger SM/ CMPT SM	50200D010000	CAP,FULE TANK	1	
F07-3	GE-01	Trigger SM/ CMPT SM	50300D010000	STRAINERCOMPASSY,FUEL	1	
F07-4	GE-01	Trigger SM/ CMPT SM	50025D010000	GASKET II	1	
F07-5	GE-01	Trigger SM/ CMPT SM	50005D010000	BACK FIXING MAT,FUEL	1	
F07-6	GE-01	Trigger SM/ CMPT SM	50027D010000	GASKET I	2	
F07-7	GE-01	Trigger SM/ CMPT SM	50026D010000	FRONT FIXING MAT,FUEL	2	
F07-8	GE-02	Trigger SM/ CMPT SM	B17010080003	CLAMP	2	
F07-9	GE-01	Trigger SM/ CMPT SM	B16010520301	PIPE Ø5×Ø9×30	1	
F07-10	GE-01	Trigger SM/ CMPT SM	B16010521901	HOSE, FUEL Ø5×Ø9×190	1	
F07-11	GE-01	Trigger SM/ CMPT SM	B01090605565	BOLT M6×55MM	2	
F07-12	GE-01	Trigger SM/ CMPT SM	B07090000605	WASHER 6MM	2	
F07-13	GE-01	Trigger SM/ CMPT SM	B01090601265	BOLT M6×12MM	2	
F07-14	GE-01	Trigger SM/ CMPT SM	B01090804065	BOLT M8×40MM	1	
F07-15	GE-01	Trigger SM/ CMPT SM	B07090000805	WASHER 8MM	1	
F07-16	GE-01	Trigger SM/ CMPT SM	50031D010000	SPACE	1	
F07-17	GE-01	Trigger SM/ CMPT SM	B01090502065	BOLT M5×20MM	1	
F07-18	GE-02	Trigger SM/ CMPT SM	119031170000	UNILATERALISM VALVE ASSY	1	
F07-19	GE-01	Trigger SM/ CMPT SM	50203D010000	CUSHION	1	

F08 字字字字 SEAT ASSY



NO.	Version	Commercial name	PART NO.	EN DESCRIPTION	QTY	QTY ST AT
F08-1	GE-01	Trigger SM/ CMPT SM	51100D010000	SEAT ASSY	1	
F08-1	GE-01	Trigger SM/ CMPT SM	51100D010002	SEAT ASSY	1	
F08-2	GE-01	Trigger SM/ CMPT SM	51150D010000	CATCH COMP LOCK ASSY	1	
F08-3	GE-01	Trigger SM/ CMPT SM	51103J000000	RUBBER CUSHION	2	
F08-4	GE-01	Trigger SM/ CMPT SM	51104K010000	RUBBER CUSHION	2	
F08-5	GE-01	Trigger SM/ CMPT SM	B04070600055	NUT M6MM	2	

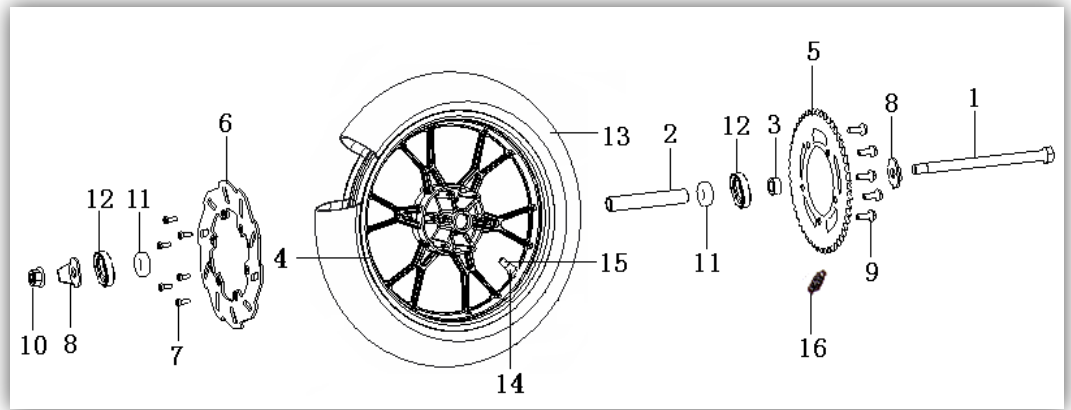
F09 字字字 REAR SWINGING ARM



NO.	Version	Commercial name	PART NO.	EN DESCRIPTION	QTY	Unit
F09-1	GE-01	Trigger SM/ CMPT SM	53001D010000	SHAFT	1	
F09-2	GE-01	Trigger SM/ CMPT SM	53017D010010	REAR SWINGING ARM SIDE COVER	2	
F09-3	GE-01	Trigger SM/ CMPT SM	B190102000C0	O -SEAL RING 20×3.55	2	
F09-4	GE-01	Trigger SM/ CMPT SM	53006D010010	SPACER	2	
F09-5	GE-01	Trigger SM/ CMPT SM	53005D010000	INSIDE COLLAR	1	
F09-6	GE-02	Trigger SM/ CMPT SM	53100D010010	REAR SWINGING BODY	1	
F09-7	GE-01	Trigger SM/ CMPT SM	B04171415054	NUT M14×1.5MM	1	
F09-8	GE-01	Trigger SM/ CMPT SM	53053D010000	TOP PROTECTOR COVER CHAIN	1	
F09-9	GE-01	Trigger SM/ CMPT SM	53054D01W500	BELOW PROTECTOR COVER CHAIN WHITE W5	1	
F09-9	GE-01	Trigger SM/ CMPT SM	53054D01BH00	BELOW PROTECTOR COVER CHAIN BLACK BH	1	
F09-10	GE-01	Trigger SM/ CMPT SM	53004D010000	CHAIN PROTECTOR BOARD	1	
F09-11	GE-02	Trigger SM/ CMPT SM	53056D010050	SPACER 2	7	
F09-12	GE-01	Trigger SM/ CMPT SM	53055D010000	SPACER 1	2	
F09-13	GE-01	Trigger SM/ CMPT SM	B01090501665	BOLT M5×16MM	2	
F09-14	GE-01	Trigger SM/ CMPT SM	B02000501225	SCREW M5×12MM	6	
F09-15	GE-01	Trigger SM/ CMPT SM	B01010806025	BOLT M8×60MM	2	
F09-16	GE-01	Trigger SM/ CMPT SM	B04000800055	NUT M8MM	2	
F09-17	GE-02	Trigger SM/ CMPT SM	43036D010000	BRAKE HOSE HOLDER	2	
F09-18	GE-01	Trigger SM/ CMPT SM	B01090601665	SCREW M6×16MM	2	
F09-19	GE-01	Trigger SM/ CMPT SM	B01090601665	BOLT M6×16MM	2	
F09-21	GE-01	Trigger SM/ CMPT SM	B04171012555	NUT M10×1.25MM	2	
F09-22	GE-01	Trigger SM/ CMPT SM	53301D010000	INSIDE BUSH	2	
F09-23	GE-01	Trigger SM/ CMPT SM	53310D010000	ARM JOIN COMP	1	
F09-24	GE-02	Trigger SM/ CMPT SM	53302D010030	COLLAR	1	
F09-25	GE-01	Trigger SM/ CMPT SM	B02551008585	SCREW M10×1.25×85MM	1	
F09-26	GE-01	Trigger SM/ CMPT SM	B02551005585	SCREW M10×1.25×55MM	1	
F09-27	GE-01	Trigger SM/ CMPT SM	53303D010000	O-SEAL RING 18×2.5	2	
F09-29	GE-01	Trigger SM/ CMPT SM	B02551006085	SCREW M10×1.25×60MM	1	
F09-30	GE-01	Trigger SM/ CMPT SM	53250D010000	DUSTPROOF COVER	6	
F09-31	GE-01	Trigger SM/ CMPT SM	B1210K161600	BEARING NK16/16	3	
F09-32	GE-01	Trigger SM/ CMPT SM	53241D010000	REAR ABSORBER SWINGING ARM	1	
F09-33	GE-02	Trigger SM/ CMPT SM	53242D010010	BUSH	3	
F09-34	GE-01	Trigger SM/ CMPT SM	B07030001005	WASHER 10MM	1	
F09-35	GE-01	Trigger SM/ CMPT SM	B01090805065	BOLT M8×50MM	1	
F09-36	GE-01	Trigger SM/ CMPT SM	53019D010000	BUSH	1	
F09-37	GE-01	Trigger SM/ CMPT SM	53018D010000	CHAIN ADJUST WHEEL	1	
F09-38	GE-01	Trigger SM/ CMPT SM	53021D010000	BUSH	1	
F09-39	GE-01	Trigger SM/ CMPT SM	B07020000805	WASHER 8MM	1	

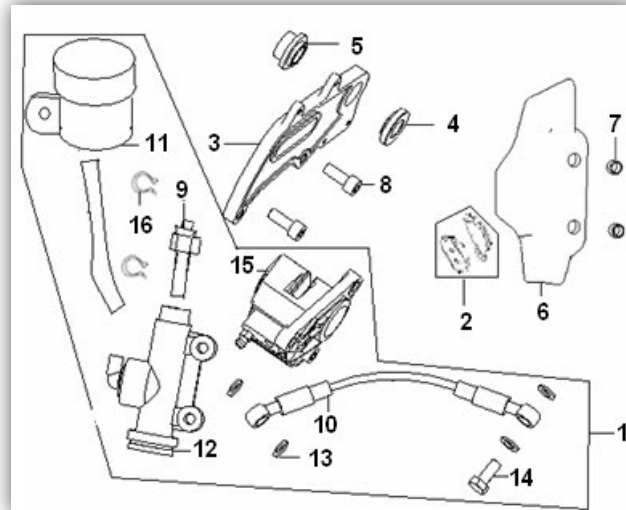
F09-40	GE-02	Trigger SM/ CMPT SM	B04000800055	NUT M8MM	1	
F09-41	GE-01	Trigger SM/ CMPT SM	53051D010000	DECORATEØLØREAR SWINGING ARM	1	
F09-42	GE-01	Trigger SM/ CMPT SM	53052D010000	DECORATEØRØREAR SWINGING ARM	1	
F09-43	GE-01	Trigger SM/ CMPT SM	53060D010000	STRENGTHEN COMP.	1	
F09-44	GE-01	Trigger SM/ CMPT SM	B04171012555	NUT M10×1.25MM	1	
F09-45	GE-02	Trigger SM/ CMPT SM	B07030001005	WASHER 10MM	1	

F10 Rear Wheel Assy



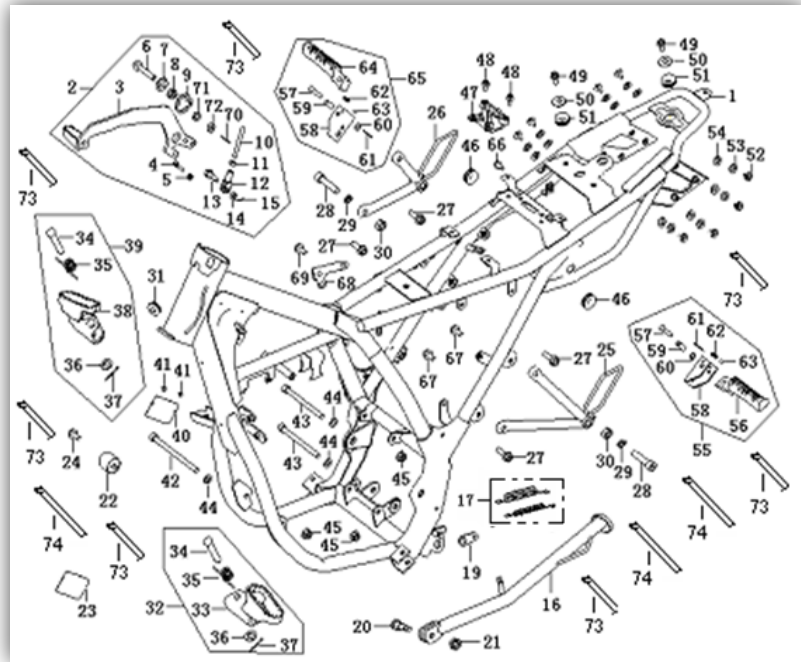
NO.	Version	Commercial name	PART NO.	EN DESCRIPTION	QTY	QTY SP AT
F10-1	GE-01	Trigger SM/ CMPT SM	54004D010000	AXLE, REAR WHEEL	1	
F10-2	GE-01	Trigger SM/ CMPT SM	54550D030000	SPACER,CENTER ASSY	1	
F10-3	GE-01	Trigger SM/ CMPT SM	55042D010050	SPACER, RR. WHEEL,L.	1	
F10-4	GE-01	Trigger SM/ CMPT SM	54101D030000	RIM REAR WHEEL	1	
F10-4	GE-01	Trigger SM/ CMPT SM	54101D03HV00	RIM REAR WHEEL SILVER HV	1	
F10-5	GE-01	Trigger SM/ CMPT SM	60002D010000	SPROKET CHAIN	1	
F10-6	GE-01	Trigger SM/ CMPT SM	55033D010000	REAR BRAKE DISK	1	
F10-7	GE-01	Trigger SM/ CMPT SM	45036D010000	BOLT, BRAKE DISK	6	
F10-8	GE-01	Trigger SM/ CMPT SM	54032D010000	REAR PRESS BOARD	2	
F10-9	GE-01	Trigger SM/ CMPT SM	60015D010000	BOLT SPROKET	5	
F10-10	GE-02	Trigger SM/ CMPT SM	B04171415054	NUT M14×1.5MM	1	
F10-11	GE-01	Trigger SM/ CMPT SM	B12016020200	BEARING 6202-2RS	2	
F10-12	GE-01	Trigger SM/ CMPT SM	44300B910000	DUST SEAL ASSY	2	
F10-13	GE-01	Trigger SM/ CMPT SM	B140508D1721	TUBE 130/70-17	1	
F10-14	GE-01	Trigger SM/ CMPT SM	B1403Z203300	VALVE Z2-01-1	1	
F10-15	GE-01	Trigger SM/ CMPT SM	B1404Z2011A0	CAP, VALVE A	1	
F10-16	GE-01	Trigger SM/ CMPT SM	B1502V1128B0	DRIVE CHAIN 420DX-1×128	1	

F11 字字字 REAR DISK BRAKE



NO.	Version	Commercial name	PART NO.	EN DESCRIPTION	QTY	QTY ST AT
F11-1	GE-01	Trigger SM/ CMPT SM	55000D010000	BACK DISK BRAKE	1	
F11-2	GE-01	Trigger SM/ CMPT SM	55110D010000	BRAKE SHOE ASSY	1	
F11-3	GE-01	Trigger SM/ CMPT SM	55025D010000	BRACKET	1	
F11-4	GE-01	Trigger SM/ CMPT SM	55049D010000	BUSH I	1	
F11-5	GE-01	Trigger SM/ CMPT SM	55095D010000	BUSH II	1	
F11-6	GE-01	Trigger SM/ CMPT SM	55041D010000	DECORATE BOARD	1	
F11-7	GE-02	Trigger SM/ CMPT SM	55042D010050	BUSH	2	
F11-8	GE-01	Trigger SM/ CMPT SM	B02050802065	SCREW M8×20MM	2	
F11-9	GE-01	Trigger SM/ CMPT SM	55300D010000	PRESSURE SENDER ASSY	1	
F11-10	GE-01	Trigger SM/ CMPT SM	55200D010000	HOSE ASSY [7] BRAKE	1	
F11-11	GE-01	Trigger SM/ CMPT SM	55140D010000	RESERVOIR , BRAKE FLUID	1	
F11-12	GE-01	Trigger SM/ CMPT SM	55400D010000	CYLINDER ASSY [7] MASTER	1	
F11-13	GE-01	Trigger SM/ CMPT SM	55029J000000	WASHER	4	
F11-14	GE-01	Trigger SM/ CMPT SM	45037J000000	BANJO BOLT	2	
F11-15	GE-01	Trigger SM/ CMPT SM	55600D010000	CALIPER ASSY [7] BRAKE	1	
F11-16	GE-01	Trigger SM/ CMPT SM	55067D090000	CLIP	2	

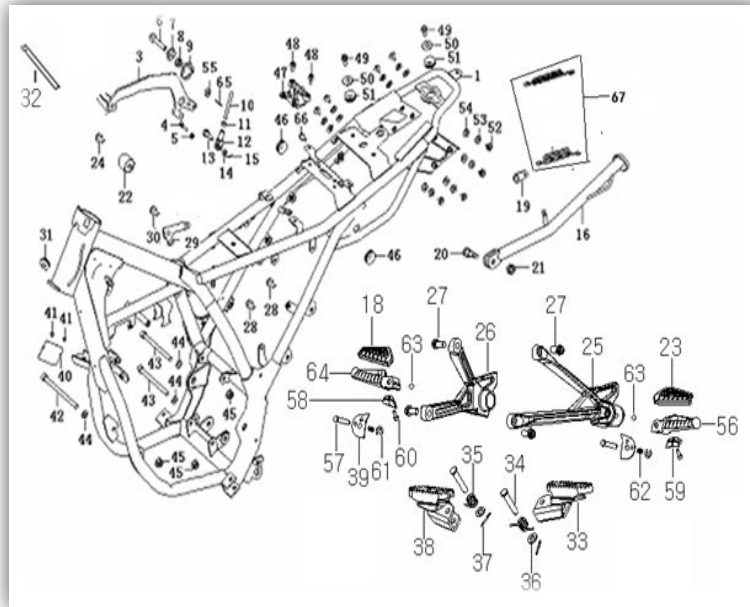
F12-01 字字字字 FRAME ASSY FOR TRIGGER SM



NO.	Version	Commercial name	PART NO.	EN DESCRIPTION	QTY	UNIT
F12-01-1	GE-01	Trigger SM	57100D010000	FRAME JOINTING ASSY	1	
F12-01-1	GE-01	Trigger SM	57100D01HV00	FRAME JOINTING ASSY SILVER HV	1	
F12-01-3	GE-01	Trigger SM	40710D010000	PEDAL JOINTING ASSY,BRAKE	1	
F12-01-4	GE-01	Trigger SM	B01090603065	BOLT M6×30MM	1	
F12-01-5	GE-01	Trigger SM	B04000600055	NUT M6MM	1	
F12-01-6	GE-01	Trigger SM	40718D010000	BOLT	1	
F12-01-7	GE-01	Trigger SM	40705D010000	SPACER	1	
F12-01-8	GE-01	Trigger SM	B04080800055	NUT M8MM	1	
F12-01-9	GE-01	Trigger SM	40709D010000	SPRING	1	
F12-01-10	GE-01	Trigger SM	40715D010000	PULL ROD	1	
F12-01-11	GE-01	Trigger SM	B04000600055	NUT M6MM	1	
F12-01-12	GE-01	Trigger SM	40716D010000	PULL HANDLE	1	
F12-01-13	GE-01	Trigger SM	40717D010000	BOLT	1	
F12-01-14	GE-01	Trigger SM	B04000600055	NUT M6MM	1	
F12-01-15	GE-01	Trigger SM	B090002018A3	SPLIT PIN 2×18MM	1	
F12-01-16	GE-01	Trigger SM	58700D030000	SIDE STAND	1	
F12-01-17	GE-01	Trigger SM	57004D010000	SPRING	1	
F12-01-18	GE-01	Trigger SM	57003D010000	SPRING	1	
F12-01-19	GE-01	Trigger SM	57006D010000	SPRING PLATE	1	
F12-01-20	GE-01	Trigger SM	57005D010000	BOLT	1	
F12-01-21	GE-01	Trigger SM	B04171012555	NUT M10×1.25MM	1	
F12-01-22	GE-01	Trigger SM	58920D010000	RUBBER MAT COMP	1	
F12-01-23	GE-01	Trigger SM	57002D010000	PLATE,VIN	1	
F12-01-24	GE-01	Trigger SM	B01090600865	BOLT M6×8MM	1	
F12-01-25	GE-01	Trigger SM	58270D010000	CANAL PEDAL COMP REAR LH	1	
F12-01-26	GE-01	Trigger SM	58290D010000	CANAL PEDAL COMP REAR RH	1	
F12-01-27	GE-01	Trigger SM	B01090802565	BOLT M8×25MM	4	
F12-01-28	GE-01	Trigger SM	B04171012555	SCREW M10×45MM	2	
F12-01-29	GE-01	Trigger SM	B07000001005	WASHER 10MM	2	
F12-01-30	GE-01	Trigger SM	B04051000065	NUT M10MM	2	
F12-01-31	GE-01	Trigger SM	65705J000000	WASHER	1	
F12-01-33	GE-01	Trigger SM	58250D010000	PANEL FLOOR JOINTING COMP LH	1	
F12-01-34	GE-01	Trigger SM	57024D010000	PIN	2	
F12-01-35	GE-01	Trigger SM	58202D010000	SPRING	2	

F12-01-36	GE-01	Trigger SM	B07030000805	WASHER 8MM	2	
F12-01-37	GE-01	Trigger SM	B090002018A3	SPLIT PIN 2×18MM	2	
F12-01-38	GE-01	Trigger SM	58230D010000	PANEL FLOOR JOINTING COMP RH	1	
F12-01-40	GE-01	Trigger SM	57001D030000	PLATE,VIN	1	
F12-01-41	GE-01	Trigger SM	B10000300600	RIVET 3×6MM	2	
F12-01-42	GE-01	Trigger SM	B02050812065	SCREW M8×120MM	1	
F12-01-43	GE-01	Trigger SM	B02050810065	SCREW M8×100MM	2	
F12-01-44	GE-01	Trigger SM	B07030000805	WASHER 8MM	3	
F12-01-45	GE-01	Trigger SM	B04170800055	NUT M8MM	3	
F12-01-46	GE-01	Trigger SM	65618J000000	CUSHION	2	
F12-01-47	GE-01	Trigger SM	88500D010000	LOCK	1	
F12-01-48	GE-01	Trigger SM	B01090601265	BOLT M6×12MM	2	
F12-01-49	GE-01	Trigger SM	B01090801665	BOLT M8×16MM	2	
F12-01-50	GE-01	Trigger SM	57206D010000	BUSH□MUFFER	2	
F12-01-51	GE-01	Trigger SM	57209D010000	CUSHION□MUFFER	2	
F12-01-52	GE-01	Trigger SM	57032D010000	CUSHION	8	
F12-01-53	GE-01	Trigger SM	B07030000805	WASHER 8MM	8	
F12-01-54	GE-01	Trigger SM	B13060501205	SCREW M5×12MM	8	
F12-01-55	GE-02	Trigger SM	58260B030000	PEDAL COMP REAR LH	1	
F12-01-65	GE-02	Trigger SM	58280B030000	PEDAL COMP REAR RH	1	
F12-01-66	GE-01	Trigger SM	B01090601265	BOLT M6×12MM	1	
F12-01-67	GE-01	Trigger SM	B01090602065	BOLT M6×20MM	2	
F12-01-68	GE-01	Trigger SM	57173D010000	ENHANCE BOARD□VALVE	1	
F12-01-69	GE-01	Trigger SM	B01090601265	BOLT M6×12MM	1	
F12-01-70	GE-01	Trigger SM	B090002018A3	SPLIT PIN 2×18MM	1	
F12-01-71	GE-01	Trigger SM	B07000000805	WASHER 8MM	1	
F12-01-72	GE-01	Trigger SM	B07030000805	WASHER 8MM	1	
F12-01-73	GE-01	Trigger SM	96001J000000	BAND7×150MM	7	
F12-01-74	GE-01	Trigger SM	96002J000000	BAND7×200MM	3	

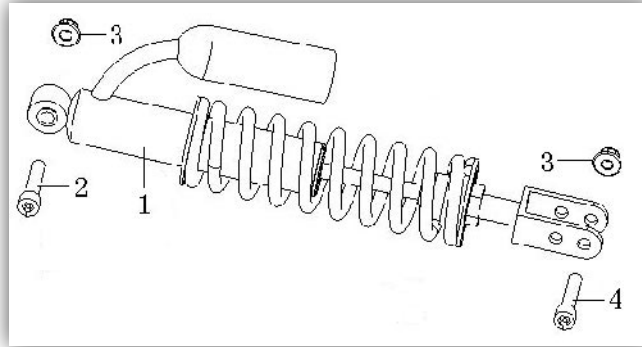
F12-02 字字字字 FRAME ASSY FOR TRIGGER CMPT SM



图号	版	商业名称	零件号	英文描述	数量	备
NO.	Version	Commercial name	PART NO.	EN DESCRIPTION	QTY	SP AT
F12-02-1	GE-01	Trigger CMPT SM	57100D010001	FRAME JOINTING ASSY	1	
F12-02-3	GE-01	Trigger CMPT SM	40710D010000	PEDAL JOINTING ASSY,BRAKE	1	
F12-02-4	GE-01	Trigger CMPT SM	B01090602565	BOLT M6x25MM	1	
F12-02-5	GE-01	Trigger CMPT SM	B04000600055	NUT M6MM	1	
F12-02-6	GE-01	Trigger CMPT SM	40718D010000	BOLT	1	
F12-02-7	GE-01	Trigger CMPT SM	40705D010000	SPACER	1	
F12-02-8	GE-01	Trigger CMPT SM	B04080800055	NUT M8MM	1	
F12-02-9	GE-01	Trigger CMPT SM	40709D010000	SPRING	1	
F12-02-10	GE-01	Trigger CMPT SM	40715D010000	PULL ROD	1	
F12-02-11	GE-01	Trigger CMPT SM	B04000600055	NUT M6MM	1	
F12-02-12	GE-01	Trigger CMPT SM	40716D010000	PULL HANDLE	1	
F12-02-13	GE-01	Trigger CMPT SM	40717D010000	BOLT	1	
F12-02-14	GE-01	Trigger CMPT SM	B04000600055	NUT M6MM	1	
F12-02-15	GE-01	Trigger CMPT SM	B090002018A3	SPLIT PIN 2x18MM	1	
F12-02-16	GE-01	Trigger CMPT SM	58700D030000	SIDE STAND	1	
F12-02-18	GE-01	Trigger CMPT SM	08372S020000	right footrest rubber	1	
F12-02-19	GE-01	Trigger CMPT SM	57006D010000	SPRING PLATE	1	
F12-02-20	GE-01	Trigger CMPT SM	57005D010000	BOLT	1	
F12-02-21	GE-01	Trigger CMPT SM	B04011012563	NUT M10x1.25MM	1	
F12-02-22	GE-01	Trigger CMPT SM	58920D010000	RUBBER MAT COMP	1	
F12-02-23	GE-01	Trigger CMPT SM	08352S020000	left footrest rubber	1	
F12-02-24	GE-01	Trigger CMPT SM	B01090601065	BOLT M6x10MM	1	
F12-02-25	GE-01	Trigger CMPT SM	58271J690000	footrest left back mounting bracket	1	
F12-02-26	GE-01	Trigger CMPT SM	58281J690000	footrest right back mounting bracket	1	
F12-02-27	GE-01	Trigger CMPT SM	B01090802565	BOLT M8x25MM	4	
F12-02-28	GE-01	Trigger CMPT SM	B01090602065	BOLT M6x20MM	2	
F12-02-29	GE-01	Trigger CMPT SM	57173D010000	ENHANCE BOARD VALVE	1	
F12-02-30	GE-01	Trigger CMPT SM	B01090601265	BOLT M6x12MM	1	
F12-02-31	GE-01	Trigger CMPT SM	65705J000000	WASHER	1	
F12-02-32	GE-01	Trigger CMPT SM	96002J000000	BAND7x200MM	3	
F12-02-33	GE-01	Trigger CMPT SM	58250D010000	PANEL FLOOR JOINTING COMP LH	1	
F12-02-34	GE-01	Trigger CMPT SM	57024D010000	PIN	2	
F12-02-35	GE-01	Trigger CMPT SM	58202D010000	SPRING	2	
F12-02-36	GE-01	Trigger CMPT SM	B07030000805	WASHER 8MM	2	
F12-02-37	GE-01	Trigger CMPT SM	B090002018A3	SPLIT PIN 2x18MM	2	

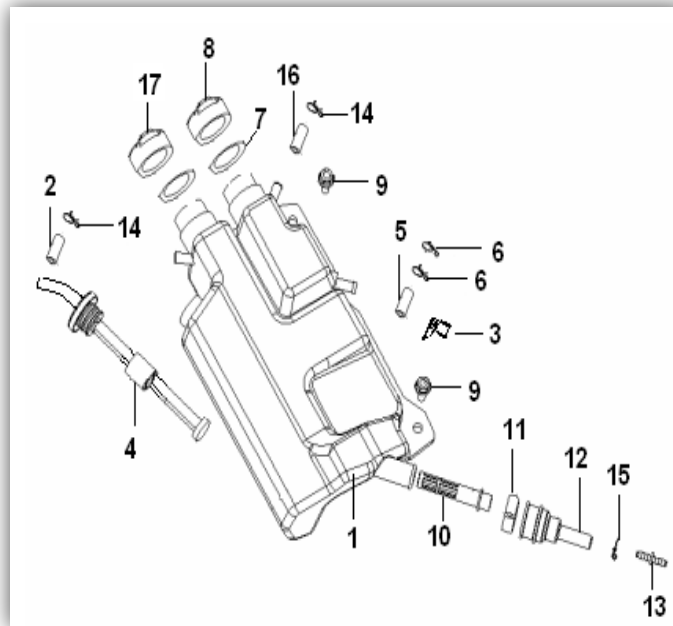
F12-02-38	GE-01	Trigger CMPT SM	58230D010000	PANEL FLOOR JOINTING COMP RH	1	
F12-02-39	GE-01	Trigger CMPT SM	58451S010000	mounting plate, kick-pedal,	2	
F12-02-40	GE-01	Trigger CMPT SM	57001D010000	PLATE,VIN	1	
F12-02-41	GE-01	Trigger CMPT SM	B10000300600	RIVET 3x6MM	2	
F12-02-42	GE-01	Trigger CMPT SM	B02050812065	SCREW M8x120MM	1	
F12-02-43	GE-01	Trigger CMPT SM	B02050810065	SCREW M8x100MM	2	
F12-02-44	GE-01	Trigger CMPT SM	B07030000805	WASHER 8MM	3	
F12-02-45	GE-01	Trigger CMPT SM	B04170800055	NUT M8MM	3	
F12-02-46	GE-01	Trigger CMPT SM	65618J000000	CUSHION	2	
F12-02-47	GE-01	Trigger CMPT SM	88500D010000	LOCK	1	
F12-02-48	GE-01	Trigger CMPT SM	B01090601265	BOLT M6x12MM	2	
F12-02-49	GE-01	Trigger CMPT SM	B01090801665	BOLT M8x16MM	2	
F12-02-50	GE-01	Trigger CMPT SM	57206D010000	BUSHMUFFER	2	
F12-02-51	GE-01	Trigger CMPT SM	57209D010000	CUSHIONMUFFER	2	
F12-02-52	GE-01	Trigger CMPT SM	57032D010000	CUSHION	8	
F12-02-53	GE-01	Trigger CMPT SM	B07030000805	WASHER 8MM	8	
F12-02-54	GE-01	Trigger CMPT SM	B13060501205	SCREW M5x12MM	8	
F12-02-55	GE-01	Trigger CMPT SM	B07030000805	WASHER 8MM	1	
F12-02-56	GE-01	Trigger CMPT SM	58266S010000	footrest left back	1	
F12-02-57	GE-01	Trigger CMPT SM	58217S010000	footrest pin shaft, mounting	2	
F12-02-58	GE-01	Trigger CMPT SM	58405S020000	right footrest rubber block	1	
F12-02-59	GE-01	Trigger CMPT SM	58205S020000	left footrest rubber block	1	
F12-02-60	GE-01	Trigger CMPT SM	B0280040100A	BOLT M4X10	2	
F12-02-61	GE-01	Trigger CMPT SM	B0882000050A	circlip5	2	
F12-02-62	GE-01	Trigger CMPT SM	58262S010000	footrest spring	2	
F12-02-63	GE-01	Trigger CMPT SM	B06000002000	footrest ball	2	
F12-02-64	GE-01	Trigger CMPT SM	58286S010000	footrest right back	1	
F12-02-65	GE-01	Trigger CMPT SM	B090002018A3	SPLIT PIN 2x18MM	1	
F12-02-66	GE-01	Trigger CMPT SM	B01090601265	BOLT M6x12MM	1	
F12-02-67	GE-01	Trigger CMPT SM	57010D010000	SPRING ASSY,SIDE STAND	1	

F13 字字字字字 REAR SHOCK ABSORBER ASSY



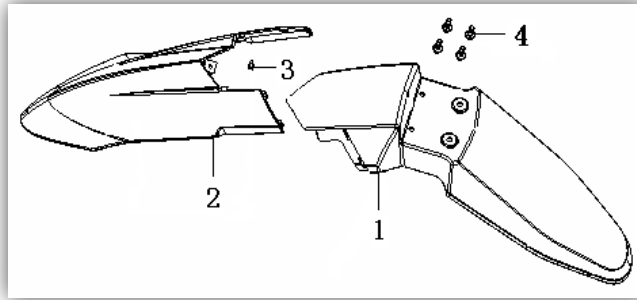
图号	版本	商业名称	零件号	英文描述	数量	备注
NO.	Version	Commercial name	PART NO.	EN DESCRIPTION	QTY	ATT
F13-1	GE-02	Trigger SM/ CMPT SM	63800D010000	RR. ABSORBER COMP	1	
F13-2	GE-02	Trigger SM/ CMPT SM	B02551005085	BOLT M10×1.25×50MM	1	
F13-3	GE-01	Trigger SM/ CMPT SM	B04171012555	NUT M10×1.25MM	2	
F13-4	GE-01	Trigger SM/ CMPT SM	B02551005085	BOLT M10×1.25×50MM	1	

F14 字字字 OIL TANK



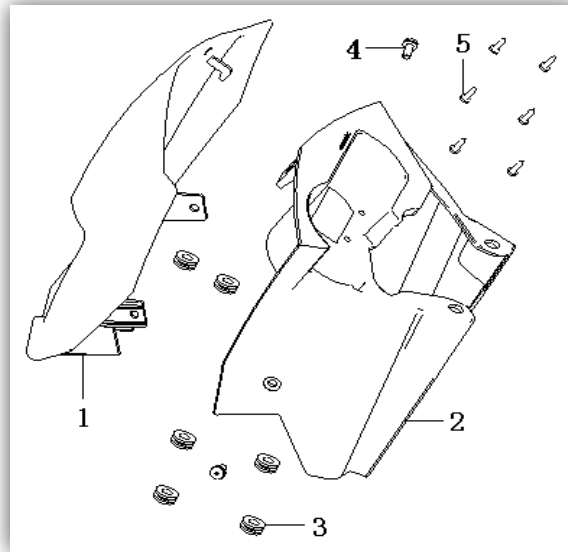
NO.	Version	Commercial name	PART NO.	EN DESCRIPTION	QTY	QTY SUP AT
F14-1	GE-02	Trigger SM/ CMPT SM	64001D010000	OIL TANK WHITE (ADD OIL MARK)	1	
F14-2	GE-01	Trigger SM/ CMPT SM	B16010723701	PIPE $\phi 7 \times \phi 11 \times 370$ MM	1	
F14-3	GE-02	Trigger SM/ CMPT SM	43061D010010	CLIP	1	
F14-4	GE-01	Trigger SM/ CMPT SM	64100D010000	OIL SENSOR ASSY	1	
F14-5	GE-02	Trigger SM/ CMPT SM	06102D010000	HOSE	1	
F14-6	GE-02	Trigger SM/ CMPT SM	B1701016000A	CLIP 10-16MM	2	
F14-7	GE-01	Trigger SM/ CMPT SM	64092D010000	GASKET WATER TANK CAP	2	
F14-8	GE-01	Trigger SM/ CMPT SM	64031D010000	WATER TANK CAP	1	
F14-9	GE-01	Trigger SM/ CMPT SM	B01090601665	BOLT M6 \times 16MM	2	
F14-10	GE-01	Trigger SM/ CMPT SM	64050D010000	FILTER ASSY	1	
F14-11	GE-01	Trigger SM/ CMPT SM	64060D010000	CLIP ASSY	1	
F14-12	GE-01	Trigger SM/ CMPT SM	64004D010000	OIL TANK PIPE	1	
F14-13	GE-01	Trigger SM/ CMPT SM	64008D010000	CONNECTOR	1	
F14-14	GE-02	Trigger SM/ CMPT SM	B17010105003	CLIP STEEL WIRE 10MM	2	
F14-15	GE-02	Trigger SM/ CMPT SM	B17010080003	CLIP STEEL WIRE 8MM	1	
F14-16	GE-01	Trigger SM/ CMPT SM	B16010722501	PIPE $\phi 7 \times \phi 11 \times 250$ MM	1	
F14-17	GE-01	Trigger SM/ CMPT SM	64031D010000	OIL TANK CAP	1	

F15 字字字字 FRONT FENDER



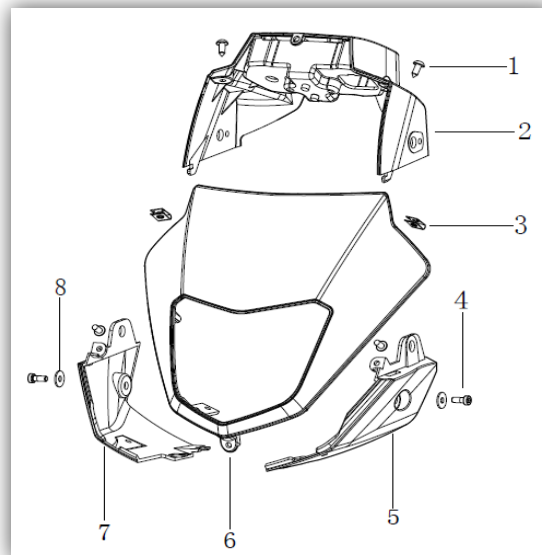
图号	版次	商业名称	零件号	英文描述	数量	备料
NO.	Version	Commercial name	PART NO.	EN DESCRIPTION	QTY	ST AT
F15-1	GE-01	Trigger SM/ CMPT SM	65106D010000	FRONT FENDER II	1	
F15-2	GE-01	Trigger SM/ CMPT SM	65101D01GS00	FRONT FENDER I GREEN GS	1	
F15-2	GE-01	Trigger SM/ CMPT SM	65101D01W500	FRONT FENDER I WHITE W5	1	
F15-2	GE-01	Trigger SM/ CMPT SM	65101D01BH00	FRONT FENDER I BLACK BH	1	
F15-2	GE-01	Trigger SM/ CMPT SM	65101D01M900	FRONT FENDER I ORANGE M9	1	
F15-2	GE-01	Trigger SM/ CMPT SM	65101D01W100	FRONT FENDER I WHITE W1	1	
F15-2	GE-01	Trigger SM/ CMPT SM	65101D01R800	FRONT FENDER I RED R8	1	
F15-3	GE-01	Trigger SM/ CMPT SM	B05004201305	SCREW ST4.2×13MM	1	
F15-4	GE-01	Trigger SM/ CMPT SM	B01090601665	BOLT M6×16MM	4	

F16-01 字字字 COWLING FOR TRIGGER SM



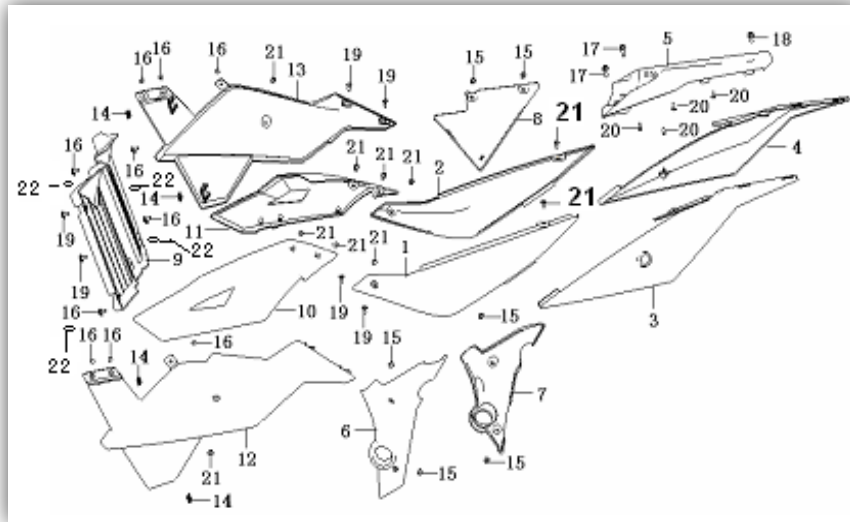
NO.	Version	Commercial name	PART NO.	EN DESCRIPTION	QTY	Supp AT
F16-01-1	GE-01	Trigger SM	65501D01W500	COWLING WHITE W5	1	
F16-01-1	GE-01	Trigger SM	65501D01BH00	COWLING BLACK BH	1	
F16-01-1	GE-01	Trigger SM	65501D01R800	COWLING RED R8	1	
F16-01-2	GE-01	Trigger SM	65483D010000	BRACKET SPEEDOMETER	1	
F16-01-3	GE-01	Trigger SM	65502J000001	CUSHION	6	
F16-01-4	GE-01	Trigger SM	B13010501205	SCREW M5×12MM	2	
F16-01-5	GE-01	Trigger SM	B05074001605	SCREW ST4×16MM	6	

F16-02 字字字 COWLING FOR TRIGGER CMPT X



NO.	Version	Commercial name	PART NO.	EN DESCRIPTION	QTY	Supp AT
F16-02-1	GE-01	Trigger CMPT SM	B05074001605	SCREW ST4×16MM	6	
F16-02-2	GE-01	Trigger CMPT SM	65519J690000	bracket	1	
F16-02-3	GE-01	Trigger CMPT SM	65801T020020	ST4.2	2	
F16-02-4	GE-01	Trigger CMPT SM	B13010501205	SCREW M5×12MM	2	
F16-02-5	GE-01	Trigger CMPT SM	65504J690000	BRACKET ASSY., COWLING L	1	
F16-02-6	GE-01	Trigger CMPT SM	65501J69001Z	COWLING	1	
F16-02-7	GE-01	Trigger CMPT SM	65505J690000	BRACKET ASSY., COWLING R	1	

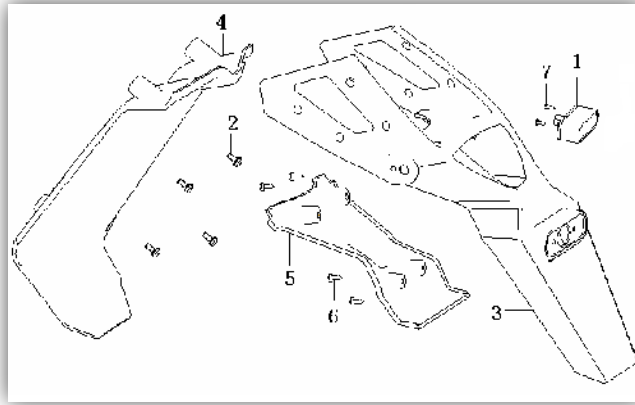
F17 字号 FRAME COVER



图号	000	0000	0000	0000	0000	0000	0000
NO.	Version	Commercial name	PART NO.	EN DESCRIPTION	QTY	0000	0000
F17-1	GE-01	Trigger SM/ CMPT SM	65601D010000	LEFT COVER	1		
F17-2	GE-01	Trigger SM/ CMPT SM	65602D010000	RIGHT COVER	1		
F17-3	GE-01	Trigger SM/ CMPT SM	65603D01GS00	REAR COVER\LH GREEN GS	1		
F17-3	GE-01	Trigger SM/ CMPT SM	65603D01W500	REAR COVER\LH WHITE W5	1		
F17-3	GE-01	Trigger SM/ CMPT SM	65603D01BH00	REAR COVER\LH BLACK BH	1		
F17-3	GE-01	Trigger SM/ CMPT SM	65603D01M900	REAR COVER\LH ORANGE M9	1		
F17-3	GE-01	Trigger SM/ CMPT SM	65603D01W100	REAR COVER\LH WHITE W1	1		
F17-4	GE-01	Trigger SM/ CMPT SM	65604D01GS00	REAR COVER\RH GREEN GS	1		
F17-4	GE-01	Trigger SM/ CMPT SM	65604D01W500	REAR COVER\RH WHITE W5	1		
F17-4	GE-01	Trigger SM/ CMPT SM	65604D01BH00	REAR COVER\RH BLACK BH	1		
F17-4	GE-01	Trigger SM/ CMPT SM	65604D01M900	REAR COVER\RH ORANGE M9	1		
F17-4	GE-01	Trigger SM/ CMPT SM	65604D01W100	REAR COVER\RH WHITE W1	1		
F17-5	GE-01	Trigger SM/ CMPT SM	65605D01GS00	JOIN BOARD GREEN GS	1		
F17-5	GE-01	Trigger SM/ CMPT SM	65605D01W500	JOIN BOARD WHITE W5	1		
F17-5	GE-01	Trigger SM/ CMPT SM	65605D01BH00	JOIN BOARD BLACK BH	1		
F17-5	GE-01	Trigger SM/ CMPT SM	65605D01M900	JOIN BOARD ORANGE M9	1		
F17-5	GE-01	Trigger SM/ CMPT SM	65605D01W100	JOIN BOARD WHITE W1	1		
F17-6	GE-01	Trigger SM/ CMPT SM	65001D010000	FRAME COVER\LH	1		
F17-7	GE-01	Trigger SM/ CMPT SM	65002D010000	FRAME COVER\RH	1		
F17-8	GE-01	Trigger SM/ CMPT SM	65005D010000	COVER\RH	1		
F17-9	GE-01	Trigger SM/ CMPT SM	65502D010000	BELOW COWLING	1		
F17-10	GE-01	Trigger SM/ CMPT SM	65671D01GS00	FRONT UP COVER,LH GREEN GS	1		
F17-10	GE-01	Trigger SM/ CMPT SM	65671D01W500	FRONT UP COVER,LH WHITE W5	1		
F17-10	GE-01	Trigger SM/ CMPT SM	65671D01BH00	FRONT UP COVER,LH BLACK BH	1		
F17-10	GE-01	Trigger SM/ CMPT SM	65671D01M900	FRONT UP COVER,LH ORANGE M9	1		
F17-10	GE-01	Trigger SM/ CMPT SM	65671D01W100	FRONT UP COVER,LH WHITE W1	1		
F17-11	GE-01	Trigger SM/ CMPT SM	65681D01GS00	FRONT UP COVER,RH GREEN GS	1		
F17-11	GE-01	Trigger SM/ CMPT SM	65681D01W500	FRONT UP COVER,RH WHITE W5	1		
F17-11	GE-01	Trigger SM/ CMPT SM	65681D01BH00	FRONT UP COVER,RH BLACK BH	1		
F17-11	GE-01	Trigger SM/ CMPT SM	65681D01M900	FRONT UP COVER,RH ORANGE M9	1		
F17-11	GE-01	Trigger SM/ CMPT SM	65681D01W100	FRONT UP COVER,RH WHITE W1	1		
F17-12	GE-01	Trigger SM/ CMPT SM	65672D01W500	FORNT DOWN COVER,LH WHITE W5	1		
F17-12	GE-01	Trigger SM/ CMPT SM	65672D01BH00	FORNT DOWN COVER,LH BLACK BH	1		
F17-13	GE-01	Trigger SM/ CMPT SM	65682D01W500	FORNT DOWN COVER,RH WHITE W5	1		
F17-13	GE-01	Trigger SM/ CMPT SM	65682D01BH00	FORNT DOWN COVER,RH BLACK BH	1		
F17-14	GE-01	Trigger SM/ CMPT SM	08051T020050	NUT ST4, .2	4		
F17-15	GE-01	Trigger SM/ CMPT SM	B13010501205	SCREW M5×12MM	6		
F17-16	GE-01	Trigger SM/ CMPT SM	B05004201305	SCREW ST4.2×13MM	10		
F17-17	GE-01	Trigger SM/ CMPT SM	B01090801665	BOLT M8×16MM	2		

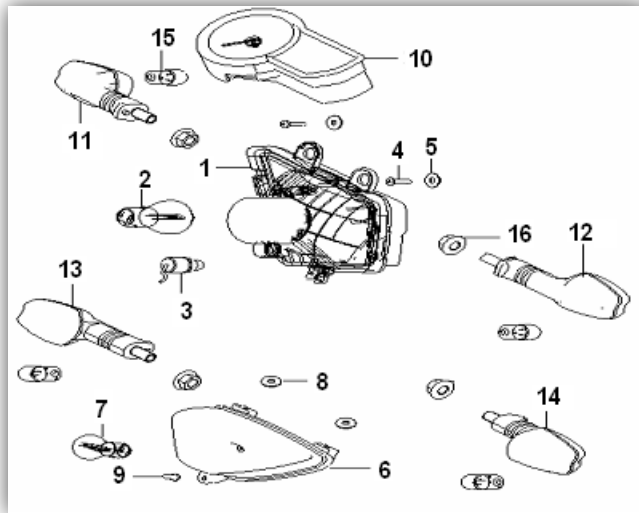
F17-18	GE-01	Trigger SM/ CMPT SM	B01090601265	BOLT M6×12MM	1	
F17-19	GE-01	Trigger SM/ CMPT SM	B13060501205	SCREW M5×12MM	6	
F17-20	GE-01	Trigger SM/ CMPT SM	B05004201015	SCREW ST4.2×9.5MM	4	
F17-21	GE-01	Trigger SM/ CMPT SM	B13060501005	SCREW M5×10MM	10	
F17-22	GE-01	Trigger SM/ CMPT SM	B07020000505	WASHER 5MM	4	

F18 字字字字 REAR FENDER



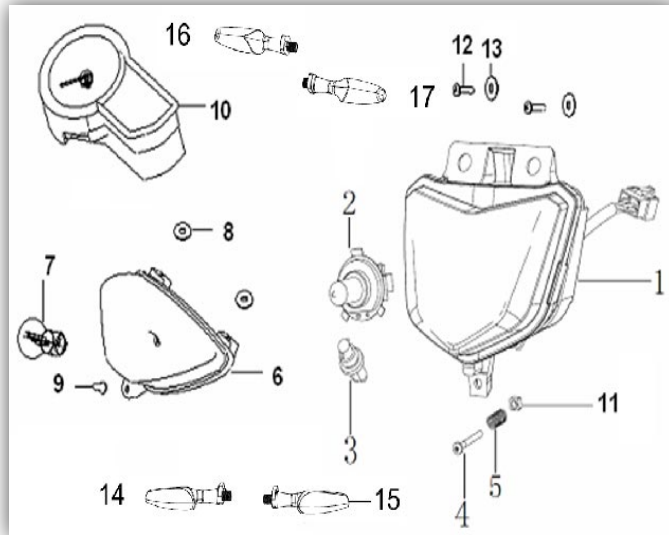
字字	字字	字字字	字字字	字字字	字字	字字
NO.	Version	Commercial name	PART NO.	EN DESCRIPTION	QTY	QTY ST AT
F18-1	GE-01	Trigger SM/ CMPT SM	82900D010000	LAMP ,LICENSE PLATE	1	
F18-2	GE-01	Trigger SM/ CMPT SM	B13010501205	SCREW M5×12MM	4	
F18-3	GE-01	Trigger SM/ CMPT SM	65701D010000	REAR FENDER I	1	
F18-4	GE-01	Trigger SM/ CMPT SM	65761D010000	FENDER,REAR	1	
F18-5	GE-01	Trigger SM/ CMPT SM	65709D010000	REAR FENDER II	1	
F18-6	GE-01	Trigger SM/ CMPT SM	B05004001005	SCREW ST4×10MM	4	
F18-7	GE-01	Trigger SM/ CMPT SM	B05004201305	SCREW ST4.2×13MM	2	

F19-01 図 電 器 I FOR TRIGGER X



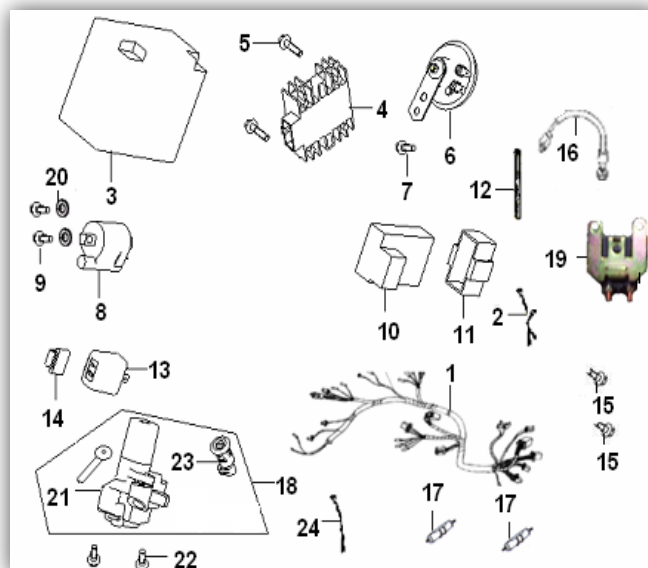
NO.	Version	Commercial name	PART NO.	EN DESCRIPTION	QTY	Unit
F19-01-1	GE-01	Trigger SM	80000D010000	HEAD LAMP ASSY.	1	
F19-01-2	GE-01	Trigger SM	B24010620000	BULB 12V/35W	1	
F19-01-3	GE-01	Trigger SM	B24013320000	BULB 12V/5W	1	
F19-01-4	GE-01	Trigger SM	B05004201605	SCREW ST4.2×16MM	2	
F19-01-5	GE-01	Trigger SM	B07020000505	WASHER 5MM	2	
F19-01-6	GE-01	Trigger SM	82000D010000	TAIL LAMP ASSY.	1	
F19-01-7	GE-01	Trigger SM	B24011820000	BULB, TAIL LIGHT 12V21W/5W	1	
F19-01-8	GE-01	Trigger SM	B07020000403	WASHER 4MM	2	
F19-01-9	GE-01	Trigger SM	B05004201305	SCREW ST4.2×13MM	1	
F19-01-10	GE-01	Trigger SM	70000D030002	SPEEDOMETER ASSY.	1	
F19-01-11	GE-01	Trigger SM	81100D010000	LAMP ASSY., FR. TURN SIGNAL, L.	1	
F19-01-12	GE-01	Trigger SM	81300D010000	LAMP ASSY., FR. TURN SIGNAL, R.	1	
F19-01-13	GE-01	Trigger SM	81500D010000	LAMP ASSY., RR. TURN SIGNAL, L.	1	
F19-01-14	GE-01	Trigger SM	81700D010000	LAMP ASSY., RR. TURN SIGNAL, R.	1	
F19-01-15	GE-01	Trigger SM	B24012420000	BULB, 12V/10W	4	
F19-01-16	GE-01	Trigger SM	B04071000053	NUT M10MM	4	

F19-02 图例 ELECTRIC I FOR TRIGGER CMPT X



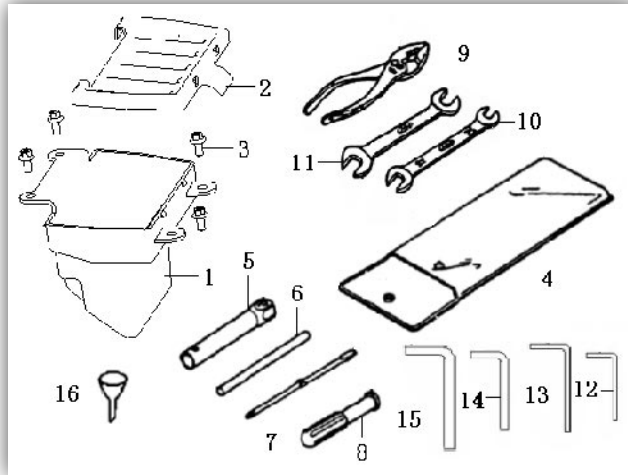
图号	版本	商业名称	零件号	英文描述	数量	备注
NO.	Version	Commercial name	PART NO.	EN DESCRIPTION	QTY	ATT
F19-02-1	GE-01	Trigger CMPT SM	80000J690000	HEAD LAMP ASSY.	1	
F19-02-2	GE-01	Trigger CMPT SM	B24010620000	BULB 12V/35W	1	
F19-02-3	GE-01	Trigger CMPT SM	B24013320000	BULB 12V/5W	1	
F19-02-4	GE-01	Trigger CMPT SM	B02000404023	OUT 4x40MM	1	
F19-02-5	GE-01	Trigger CMPT SM	80035D010000	SPRING	1	
F19-02-6	GE-01	Trigger CMPT SM	82000D010000	TAIL LAMP ASSY.	1	
F19-02-7	GE-01	Trigger CMPT SM	B24011820000	BULB, TAIL LIGHT 12V21W/5W	1	
F19-02-8	GE-01	Trigger CMPT SM	B07020000405	WASHER 4MM	2	
F19-02-9	GE-01	Trigger CMPT SM	B05004201305	SCREW ST4.2x13MM	1	
F19-02-10	GE-01	Trigger CMPT SM	70000D010004	SPEEDOMETER ASSY.	1	
F19-02-11	GE-01	Trigger CMPT SM	B04210600061	NUT M6MM	1	
F19-02-12	GE-01	Trigger CMPT SM	B05004201605	SCREW ST4.2x16MM	2	
F19-02-13	GE-01	Trigger CMPT SM	B07020000505	WASHER 5MM	2	
F19-02-14	GE-01	Trigger CMPT SM	81300J690000	TURN SIGNAL, FR., RH.	1	
F19-02-15	GE-01	Trigger CMPT SM	81100J690000	TURN SIGNAL, FR., LH.	1	
F19-02-16	GE-01	Trigger CMPT SM	81700J690000	TURN SIGNAL, RR., RH.	1	
F19-02-17	GE-01	Trigger CMPT SM	81500J690000	TURN SIGNAL, RR., LH.	1	

F20 图例 II ELECTRIC II



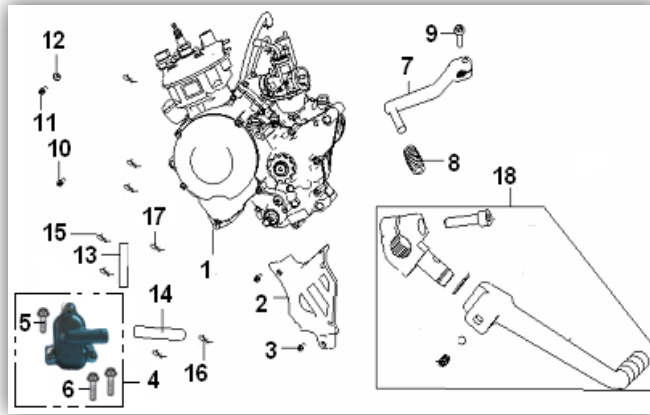
NO.	Version	Commercial name	PART NO.	EN DESCRIPTION	QTY	ST AT
F20-1	GE-01	Trigger SM	92000D010003	HARNESS, WIRING	1	
F20-1	GE-01	Trigger CMPT SM	92000D010005	HARNESS, WIRING	1	
F20-2	GE-01	Trigger SM/ CMPT SM	96900D010000	WIRE, EARTH	1	
F20-3	GE-01	Trigger SM/ CMPT SM	96100D010000	BATTERY	1	
F20-4	GE-02	Trigger SM/ CMPT SM	299082140000	RECTIFIER	1	
F20-5	GE-01	Trigger SM/ CMPT SM	B01090602565	BOLT M6×25MM	2	
F20-6	GE-02	Trigger SM/ CMPT SM	95100G120001	HORN ASSY.	1	
F20-7	GE-01	Trigger SM/ CMPT SM	B01090601265	BOLT M6×12MM	1	
F20-8	GE-02	Trigger SM/ CMPT SM	96200D010000	COIL ASSY.IGNITION	1	
F20-9	GE-01	Trigger SM/ CMPT SM	B01090501665	BOLT M5×16MM	2	
F20-10	GE-01	Trigger SM/ CMPT SM	299051170002	C.D.I	1	
F20-11	GE-02	Trigger SM/ CMPT SM	96007J040000	COVERC.D.I	1	
F20-12	GE-01	Trigger SM/ CMPT SM	96003D010000	BAND 3×80MM	2	
F20-13	GE-02	Trigger SM	96400K010001	RELAY, TURN SIGNAL	1	
F20-13	GE-01	Trigger CMPT SM	96400J690000	RELAY, TURN SIGNAL	1	
F20-14	GE-01	Trigger SM/ CMPT SM	96401B030000	COVERIRELAY, TURN SIGNAL	1	
F20-15	GE-01	Trigger SM/ CMPT SM	B01090601065	BOLT M6×10	2	
F20-16	GE-01	Trigger SM/ CMPT SM	92200J070000	ELECTRIC CABLE	1	
F20-17	GE-01	Trigger SM/ CMPT SM	96830J000000	FUSE	2	
F20-18	GE-02	Trigger SM/ CMPT SM	88000D010003	LOCK ASSY.	1	
F20-19	GE-01	Trigger SM/ CMPT SM	94100J000002	RELAY, KICK STARTER	1	
F20-20	GE-01	Trigger SM/ CMPT SM	B07030000565	WASHER 5MM	2	
F20-21	GE-01	Trigger SM/ CMPT SM	88100D010000	LOCK ASSY.	1	
F20-22	GE-01	Trigger SM/ CMPT SM	B02050602065	SCREW M6×20MM	2	
F20-23	GE-01	Trigger SM/ CMPT SM	88800D010000	LOCK ASSY.SEAT	1	
F20-24	GE-01	Trigger SM/ CMPT SM	58900D010000	CABLE ASSYISEAT	1	

F21 工具包 TOOL KIT

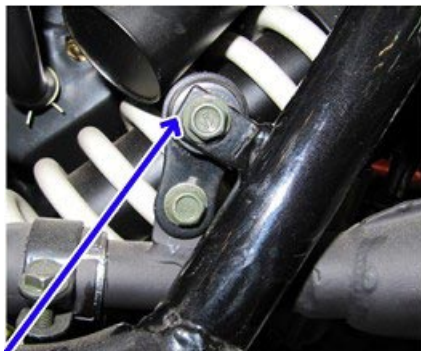


NO.	Version	Commercial name	PART NO.	EN DESCRIPTION	QTY	UNIT
F21-1	GE-01	Trigger SM/ CMPT SM	02131D010000	TOOL KIT	1	
F21-2	GE-01	Trigger SM/ CMPT SM	02132D010000	COVER TOOL KIT	1	
F21-3	GE-01	Trigger SM/ CMPT SM	B01090601265	BOLT M6×12MM	4	
F21-4	GE-02	Trigger SM/ CMPT SM	02110J000000	TOOL BAG	1	
F21-5	GE-01	Trigger SM/ CMPT SM	02102B910000	SOCKET, SPARK PLUG	1	
F21-6	GE-01	Trigger SM/ CMPT SM	02101B910000	SPANNER, SPARK PLUG	1	
F21-7	GE-01	Trigger SM/ CMPT SM	02103B910000	SCREW DRIVER, DOUBLE-HEADED	1	
F21-8	GE-01	Trigger SM/ CMPT SM	02104B910000	HANDLE	1	
F21-9	GE-01	Trigger SM/ CMPT SM	02112B920000	PLIERS	1	
F21-10	GE-01	Trigger SM/ CMPT SM	B20011001203	DOUBLE-ENDED SPANNER10-12MM	1	
F21-11	GE-01	Trigger SM/ CMPT SM	B20011301603	DOUBLE-ENDED SPANNER13-16MM	1	
F21-12	GE-01	Trigger SM/ CMPT SM	B20020400003	HEXAGON RING WRENCH 4MM	1	
F21-13	GE-01	Trigger SM/ CMPT SM	B20020500003	HEXAGON RING WRENCH 5MM	1	
F21-14	GE-01	Trigger SM/ CMPT SM	B20020600003	HEXAGON RING WRENCH 6MM	1	
F21-15	GE-01	Trigger SM/ CMPT SM	B20020800003	HEXAGON RING WRENCH 8MM	1	
F21-16	GE-01	Trigger SM/ CMPT SM	02114B910000	FILTER, OIL TANK	1	

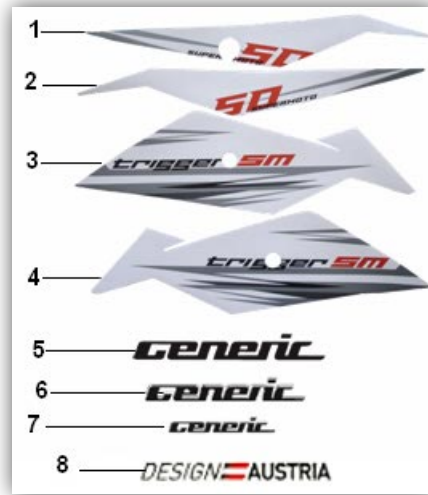
F22 ENGINE ATTACHMENT



NO.	Version	Commercial name	PART NO.	EN DESCRIPTION	QTY	QTY SP AT
F22-1	GE-01	Trigger SM	000002140010	ENGIN ASSY	1	
F22-1	GE-01	Trigger CMPT SM	C2105009HT00	ENGIN ASSY	1	
F22-2	GE-01	Trigger SM/ CMPT SM	162012140010	SIDE COVER L.R	1	
F22-3	GE-01	Trigger SM/ CMPT SM	B02050502065	SCREW M5×20MM	2	
F22-4	GE-01	Trigger SM/ CMPT SM	119031170000	UNILATERALISM VALVE ASSY	1	
F22-5	GE-01	Trigger SM/ CMPT SM	B01090603065	BOLT M6×30MM	1	
F22-6	GE-01	Trigger SM/ CMPT SM	B01090604065	BOLT M6×40MM	2	
F22-7	GE-01	Trigger SM/ CMPT SM	08383D010000	ROCKERARM,LEVEL ASSY	1	
F22-8	GE-01	Trigger SM/ CMPT SM	08372D010000	RUBBER GEAR SHIFT	1	
F22-9	GE-01	Trigger SM/ CMPT SM	B01090602565	BOLT M6×25MM	1	
F22-10	GE-01	Trigger SM/ CMPT SM	B01090601665	BOLT M6×16MM	1	
F22-11	GE-01	Trigger SM/ CMPT SM	B01090601265	BOLT M6×12MM	1	
F22-12	GE-01	Trigger SM/ CMPT SM	B07090000605	WASHER 6MM	1	
F22-13	GE-01	Trigger SM/ CMPT SM	49851D010000	PIPE	1	
F22-14	GE-01	Trigger SM/ CMPT SM	B16010945001	PIPE φ9×φ17×500	1	
F22-15	GE-01	Trigger SM/ CMPT SM	49804J000000	CLIP 17.5MM	2	
F22-16	GE-01	Trigger SM/ CMPT SM	49855J000000	CLIP 16.5MM	2	
F22-17	GE-01	Trigger SM/ CMPT SM	08060B450000	CLIP 16-25MM	4	
F22-18	GE-01	Trigger SM/ CMPT SM	08350D010000	LEVER ASSY, KICK STARTER ASSY	1	
			58811D010000	Muffler mounting plate 1	1	
			58812D010000	Muffler mounting plate 2	1	
			B02050601665	BOLT	1	
			B04000600055	NUT M6	1	

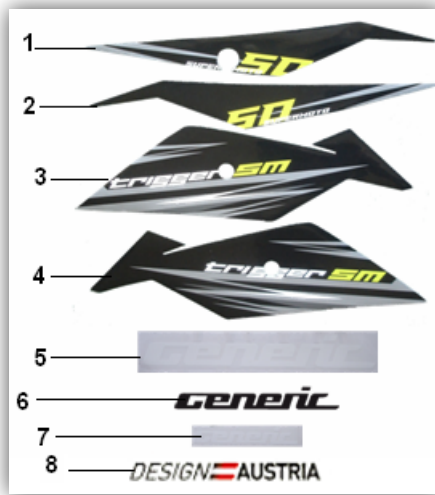


F23-01 字字 STICKER



图号	版次	商业名称	零件号	英文描述	数量	备注
NO.	Version	Commercial name	PART NO.	EN DESCRIPTION	QTY	ATT
F23-01-1	GE-01	Trigger SM	05511D03W504	STICKER,REAR SIDE COVER LH.	1	
F23-01-2	GE-01	Trigger SM	05512D03W504	STICKER,REAR SIDE COVER RH.	1	
F23-01-3	GE-01	Trigger SM	05513D03W504	STICKER,FRONT SIDE COVER LEFT BELOW	1	
F23-01-4	GE-01	Trigger SM	05514D03W504	STICKER,FRONT SIDE COVER RIGHT BELOW	1	
F23-01-5	GE-01	Trigger SM	05517D010004	STICKER,FRONT SUSPENSION COVER	1	
F23-01-6	GE-01	Trigger SM	05515D03W504	STICKER,FRONT SIDE COVER UPER	2	
F23-01-7	GE-01	Trigger SM	05508D010004	STICKER	1	
F23-01-8	GE-01	Trigger SM	05572B30000C	STICKER,REAR CARRIER	1	for

F23-02 字 STICKER



NO.	Version	Commercial name	PART NO.	EN DESCRIPTION	QTY	Supp AT
F23-02-1	GE-01	Trigger SM	05511D03GS04	STICKER,REAR SIDE COVER LH.	1	
F23-02-2	GE-01	Trigger SM	05512D03GS04	STICKER,REAR SIDE COVER RH.	1	
F23-02-3	GE-01	Trigger SM	05513D03GS04	STICKER,FRONT SIDE COVER LEFT BELOW	1	
F23-02-4	GE-01	Trigger SM	05514D03GS04	STICKER,FRONT SIDE COVER RIGHT BELOW	1	
F23-02-5	GE-01	Trigger SM	05517D030004	STICKER,FRONT SUSPENSION COVER	1	
F23-02-6	GE-01	Trigger SM	05515D03W504	STICKER,FRONT SIDE COVER UPER	2	
F23-02-7	GE-01	Trigger SM	05508D030004	STICKER	1	
F23-02-8	GE-01	Trigger SM	05572B30000C	STICKER,REAR CARRIER	1	for

F23-03 字 STICKER



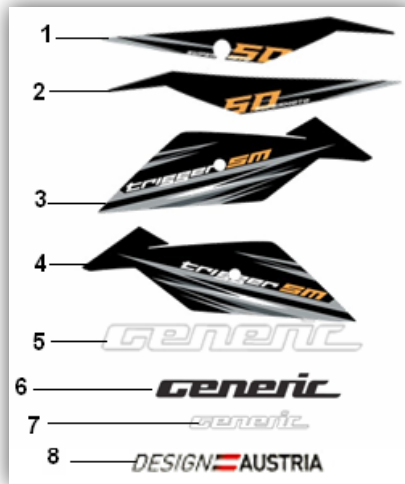
NO.	Version	Commercial name	PART NO.	EN DESCRIPTION	QTY	Com sup AT
F23-03-1	GE-01	Trigger SM	05511D03BH04	STICKER,REAR SIDE COVER LH.	1	
F23-03-2	GE-01	Trigger SM	05512D03BH04	STICKER,REAR SIDE COVER RH.	1	
F23-03-3	GE-01	Trigger SM	05513D03BH04	STICKER,FRONT SIDE COVER LEFT BELOW	1	
F23-03-4	GE-01	Trigger SM	05514D03BH04	STICKER,FRONT SIDE COVER RIGHT BELOW	1	
F23-03-5	GE-01	Trigger SM	05517D030004	STICKER,FRONT SUSPENSION COVER	1	
F23-03-6	GE-01	Trigger SM	05515D03BH04	STICKER,FRONT SIDE COVER UPER	2	
F23-03-7	GE-01	Trigger SM	05508D030004	STICKER	1	
F23-03-8	GE-01	Trigger SM	05511B30000C	STICKER,SIDE COVER	1	for

F23-04 字 STICKER



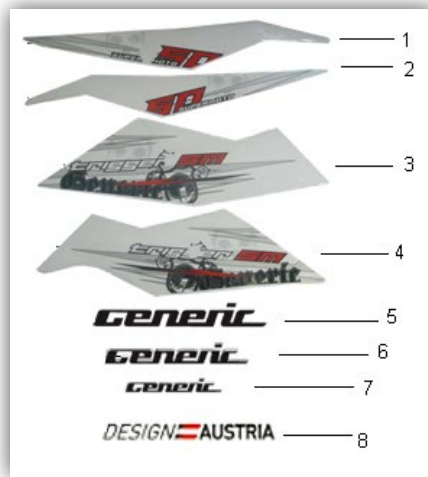
NO.	Version	Commercial name	PART NO.	EN DESCRIPTION	QTY	UNIT
F23-04-1	GE-01	Trigger SM	05514D030006	STICKER\FRONT SIDE COVER LOWER RIGHT	1	
F23-04-2	GE-01	Trigger SM	05513D030006	STICKER\FRONT SIDE COVER LOWER LEFT	1	
F23-04-3	GE-01	Trigger SM	05515D010006	STICKER\BACK SIDE COVER LEFT	1	
F23-04-4	GE-01	Trigger SM	05516D010006	STICKER\BACK SIDE COVER RIGHT	1	
F23-04-5	GE-01	Trigger SM	05517D010006	STICKER\FRONT ABSORBER	2	
F23-04-6	GE-01	Trigger SM	05511D010006	STICKER\UPPER SIDE COVER	2	
F23-04-7	GE-01	Trigger SM	05521D010006	STICKER\COWLING	1	
F23-04-8	GE-01	Trigger SM	05582D010006	STICKER,SWIMING ARM	2	
F23-04-9	GE-01	Trigger SM	05572B30000C	STICKER,REAR CARRIER	1	for 2

F23-05 字 STICKER



NO.	Version	Commercial name	PART NO.	EN DESCRIPTION	QTY	UNIT
F23-05-1	GE-01	Trigger SM	05511D030007	STICKER,REAR SIDE COVER LH.	1	
F23-05-2	GE-01	Trigger SM	05512D030007	STICKER,REAR SIDE COVER RH.	1	
F23-05-3	GE-01	Trigger SM	05513D030007	STICKER,FRONT SIDE COVER LEFT BELOW	1	
F23-05-4	GE-01	Trigger SM	05514D030007	STICKER,FRONT SIDE COVER RIGHT BELOW	1	
F23-05-5	GE-01	Trigger SM	05517D030004	STICKER,FRONT SUSPENSION COVER	1	
F23-05-6	GE-01	Trigger SM	05515D03W504	STICKER,FRONT SIDE COVER UPER	2	
F23-05-7	GE-01	Trigger SM	05508D030004	STICKER	1	
F23-05-8	GE-01	Trigger SM	05572B30000C	STICKER,REAR CARRIER	1	for

F23-06 字 STICKER



NO.	Version	Commercial name	PART NO.	EN DESCRIPTION	QTY	Supp AT
F23-06-1	GE-01	Trigger SM	05511D03W509	STICKER□BACK SIDE COVER LEFT	1	
F23-06-2	GE-01	Trigger SM	05512D03W509	STICKER□BACK SIDE COVER RIGHT	1	
F23-06-3	GE-01	Trigger SM	05513D03W509	STICKER□FRONT SIDE COVER LOWER LEFT	1	
F23-06-4	GE-01	Trigger SM	05514D03W509	STICKER□FRONT SIDE COVER LOWER RIGHT	1	
F23-06-5	GE-01	Trigger SM	05517D03W509	STICKER□FRONT ABSORBER	2	
F23-06-6	GE-01	Trigger SM	05515D03W509	STICKER□UPER SIDE COVER	2	
F23-06-7	GE-01	Trigger SM	05508D03W509	STICKER□COWLING	1	
F23-06-8	GE-01	Trigger SM	05572B30000C	STICKER,REAR CARRIER	1	

F23-07 字 STICKER



NO.	Version	Commercial name	PART NO.	EN DESCRIPTION	QTY	Supp AT
F23-07-1	GE-01	Trigger SM	05511D03GS09	STICKER□BACK SIDE COVER LEFT	1	
F23-07-2	GE-01	Trigger SM	05512D03GS09	STICKER□BACK SIDE COVER RIGHT	1	
F23-07-3	GE-01	Trigger SM	05513D03GS09	STICKER□FRONT SIDE COVER LOWER LEFT	1	
F23-07-4	GE-01	Trigger SM	05514D03GS09	STICKER□FRONT SIDE COVER LOWER RIGHT	1	
F23-07-5	GE-01	Trigger SM	05517D03BH09	STICKER□FRONT ABSORBER	2	
F23-07-6	GE-01	Trigger SM	05515D03W509	STICKER□UPER SIDE COVER	2	
F23-07-7	GE-01	Trigger SM	05508D03BH09	STICKER□COWLING	1	
F23-07-8	GE-01	Trigger SM	05572B30000C	STICKER,REAR CARRIER	1	

F23-08 字 STICKER



NO.	Version	Commercial name	PART NO.	EN DESCRIPTION	QTY	UNIT
F23-08-1	GE-01	Trigger SM	05511D03BH09	STICKER□BACK SIDE COVER LEFT	1	
F23-08-2	GE-01	Trigger SM	05512D03BH09	STICKER□BACK SIDE COVER RIGHT	1	
F23-08-3	GE-01	Trigger SM	05513D03BH09	STICKER□FRONT SIDE COVER LOWER LEFT	1	
F23-08-4	GE-01	Trigger SM	05514D03BH09	STICKER□FRONT SIDE COVER LOWER RIGHT	1	
F23-08-5	GE-01	Trigger SM	05517D03BH09	STICKER□FRONT ABSORBER	2	
F23-08-6	GE-01	Trigger SM	05515D03BH09	STICKER□UPER SIDE COVER	2	
F23-08-7	GE-01	Trigger SM	05508D03BH09	STICKER□COWLING	1	
F23-08-8	GE-01	Trigger SM	05511B30000C	STICKER,REAR CARRIER	1	

F23-09 字 STICKER



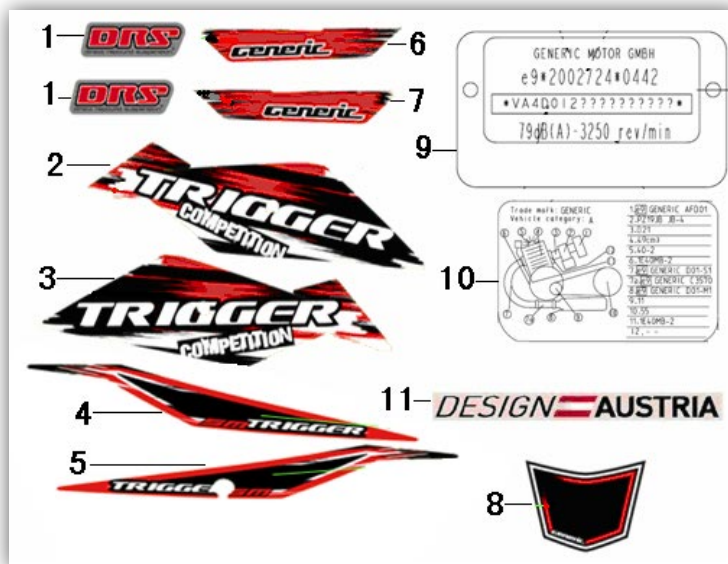
NO.	Version	Commercial name	PART NO.	EN DESCRIPTION	QTY	UNIT
F23-09-1	GE-01	Trigger SM	05511D03M909	STICKER□BACK SIDE COVER LEFT	1	
F23-09-2	GE-01	Trigger SM	05512D03M909	STICKER□BACK SIDE COVER RIGHT	1	
F23-09-3	GE-01	Trigger SM	05513D03M909	STICKER□FRONT SIDE COVER LOWER LEFT	1	
F23-09-4	GE-01	Trigger SM	05514D03M909	STICKER□FRONT SIDE COVER LOWER RIGHT	1	
F23-09-5	GE-01	Trigger SM	05517D03BH09	STICKER□FRONT ABSORBER	2	
F23-09-6	GE-01	Trigger SM	05515D03W509	STICKER□UPER SIDE COVER	2	
F23-09-7	GE-01	Trigger SM	05508D03BH09	STICKER□COWLING	1	
F23-09-8	GE-01	Trigger SM	05572B30000C	STICKER,REAR CARRIER	1	

F23-10 字字 STICKER



NO.	Version	Commercial name	PART NO.	EN DESCRIPTION	QTY	QUANTITY
F23-10-1	GE-01	Trigger SM	05514D03LZ06	STICKER, FRONT SIDE COVER LOWER RIGHT	1	
F23-10-2	GE-01	Trigger SM	05513D03LZ06	STICKER FRONT SIDE COVER LOWER LEFT	1	
F23-10-3	GE-01	Trigger SM	05515D010006	STICKER, BACK SIDE COVER LEFT	1	
F23-10-4	GE-01	Trigger SM	05516D010006	STICKER BACK SIDE COVER RIGHT	1	
F23-10-5	GE-01	Trigger SM	05517D010006	STICKER FRONT ABSORBER	2	
F23-10-6	GE-01	Trigger SM	05511D010006	STICKER UPPER SIDE COVER	2	
F23-10-7	GE-01	Trigger SM	05521D010006	STICKER COWLING	1	
F23-10-8	GE-01	Trigger SM	05582D010006	STICKER,SWIMING ARM	2	
F23-10-9	GE-01	Trigger SM	05572B30000C	STICKER,REAR CARRIER	1	

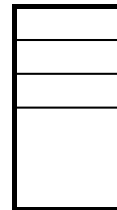
F23-11 字字 STICKER



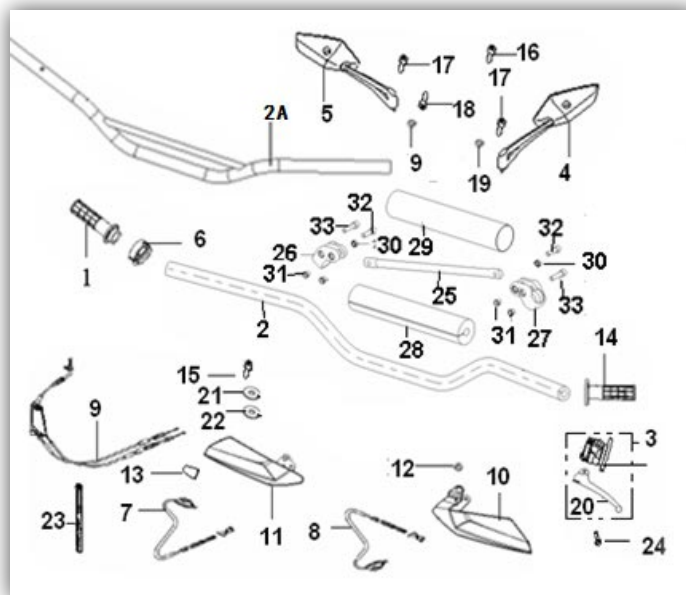
NO.	Version	Commercial name	PART NO.	EN DESCRIPTION	QTY	QUANTITY
F23-11-1	GE-01	Trigger CMPT SM	05517D010002	STICKER FRONT SUSPENSION	2	
F23-11-2	GE-01	Trigger CMPT SM	05514D010007	STICKER FRONT SIDE COVER FRONT LH LOWER	1	
F23-11-3	GE-01	Trigger CMPT SM	05513D010007	STICKER FRONT SIDE COVER FRONT LH LOWER	1	
F23-11-4	GE-01	Trigger CMPT SM	05512D030008	STICKER SIDE COVER REAR RH	1	
F23-11-5	GE-01	Trigger CMPT SM	05511D030008	STICKER SIDE COVER REAR LH	1	
F23-11-6	GE-01	Trigger CMPT SM	05515D010007	STICKER FRONT SIDE COVER FRONT LH UPER	1	

F23-11-7	GE-01	Trigger CMPT SM	05516D010007	STICKER FRONT SIDE COVER RH UPER	1	
F23-11-8	GE-01	Trigger CMPT SM	05521D010007	STICKER	1	
F23-11-9	GE-01	Trigger CMPT SM	57001D010000	PLATE, LABEL	1	
F23-11-10	GE-01	Trigger CMPT SM	57002D030000	ANTI-TAMPERING PLATE	1	
F23-11-11	GE-01	Trigger CMPT SM	05572B30000C	STICKER	1	

--	--	--	--	--	--	--



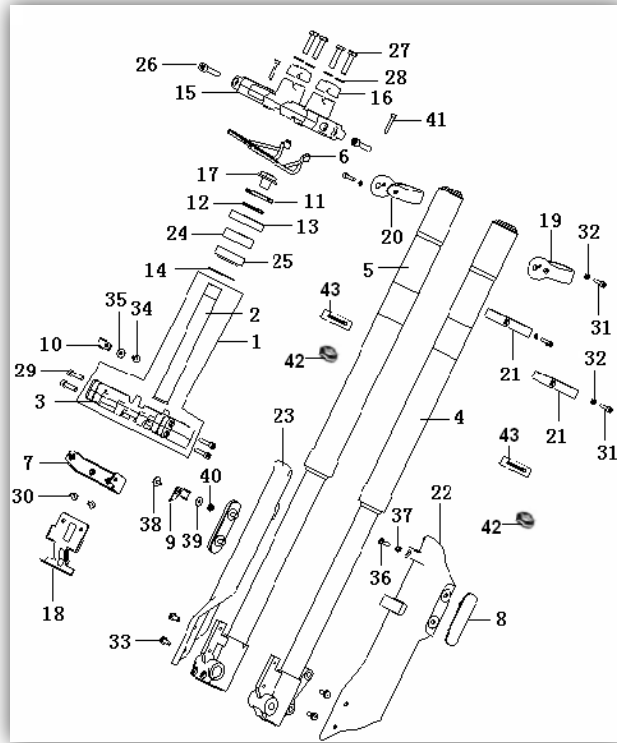
F01 CONTROL ASSY.



NO.	Version	Commercial name	PART NO.	EN DESCRIPTION	QTY
F01-1	GE-01	Trigger X/ CMPT X	40210D010000	R GRIP ASSY	1
F01-2	GE-01	Trigger X/ CMPT X	40101D010001	HANDLE COMP,aluminium	1
F01-2A	GE-01	Trigger X	40100D010000	HANDLE COMP,iron	1
F01-3	GE-01	Trigger X/ CMPT X	40080D010000	LEVER ASSY ,L	1
F01-4	GE-01	Trigger X/ CMPT X	40450D010000	BACK MIRROR ASSY ,LEFT	1
F01-5	GE-01	Trigger X/ CMPT X	40480D010000	BACK MIRROR ASSY ,RIGHT	1
F01-6	GE-01	Trigger X/ CMPT X	40320D010000	CAP THROTTLE	1
F01-7	GE-02	Trigger X/ CMPT X	40400D010001	CLUTCH CABLE	1
F01-8	GE-02	Trigger X/ CMPT X	40350D010001	CHOKE CABLE	1
F01-9	GE-02	Trigger X/ CMPT X	40300D010003	THROTTLE CABLE	1
F01-10	GE-01	Trigger X/ CMPT X	65003D01W500	COVER,HANDLE,LH WHITE W5	1
F01-10	GE-01	Trigger X/ CMPT X	65003D01BH00	COVER,HANDLE,LH BLACK BH	1
F01-11	GE-01	Trigger X/ CMPT X	65004D01W500	COVER,HANDLE,RH WHITE W5	1
F01-11	GE-01	Trigger X/ CMPT X	65004D01BH00	COVER,HANDLE,RH BLACK BH	1
F01-12	GE-01	Trigger X/ CMPT X	65006D010000	SPACER	1
F01-13	GE-01	Trigger X/ CMPT X	40017D010000	JACKET,CLUTCH CABLE	1
F01-14	GE-01	Trigger X/ CMPT X	40001D010000	GRIP,LH	1
F01-15	GE-01	Trigger X/ CMPT X	B02000501025	SCREW M5×10MM	1
F01-16	GE-01	Trigger X/ CMPT X	B02050803065	SCREW M8×30MM	1
F01-17	GE-01	Trigger X/ CMPT X	40011D010000	COVER	2
F01-18	GE-01	Trigger X/ CMPT X	08001B380000	SCREW	1
F01-19	GE-01	Trigger X/ CMPT X	B07000000805	WASHER 8MM	2
F01-20	GE-01	Trigger X/ CMPT X	40084D010000	LEFT GRIP	1
F01-21	GE-01	Trigger X/ CMPT X	B07030000505	WASHER 5MM	1
F01-22	GE-01	Trigger X/ CMPT X	B07000000505	WASHER 5MM	1
F01-23	GE-01	Trigger X/ CMPT X	96001J000000	BAND 7×150MM	1
F01-24	GE-01	Trigger X/ CMPT X	B01090601065	BOLT M6×10MM	1
F01-25	GE-01	Trigger X/ CMPT X	40043D010000	PROTECT ROD	1
F01-26	GE-01	Trigger X/ CMPT X	40041D010000	HOLDER LEFT PROTECT	1
F01-27	GE-01	Trigger X/ CMPT X	40042D010000	HOLDER RIGHT PROTECT	1

F01-28	GE-01	Trigger X/ CMPT X	40005D010000	PAD,SPONGE	1
F01-29	GE-01	Trigger X/ CMPT X	40901D010000	PROTECT SLEEVE	1
F01-30	GE-01	Trigger X/ CMPT X	40047B470000	BUSH	4
F01-31	GE-01	Trigger X/ CMPT X	40046B470000	BUSH	2
F01-32	GE-01	Trigger X/ CMPT X	B02050602065	SCREW M6×20MM	2
F01-33	GE-01	Trigger X/ CMPT X	B02050602565	SCREW M6×25MM	2

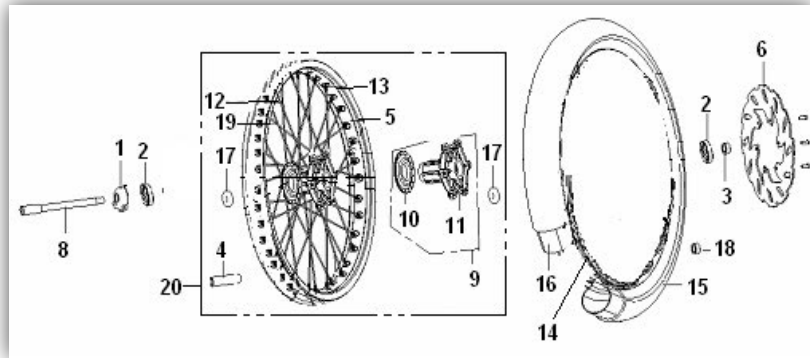
F02 字字字字 FRONT FORK ASSY



NO.	Version	Commercial name	PART NO.	EN DESCRIPTION	QTY
F02-1		Trigger X/ CMPT X	43100D010000	UNDER BRACKET COMP.	1
F02-2		Trigger X/ CMPT X	43101D010000	DIRECTION MAST	1
F02-3		Trigger X/ CMPT X	43102D010000	UNDER BRACKET	1
F02-4		Trigger X/ CMPT X	43200D01BH00	F.L. FORK ASSY.BLACK	1
F02-5		Trigger X/ CMPT X	43300D01BH00	F.R. FORK ASSY.BLACK	1
F02-6		Trigger X	65490D010000	METER SUPPORT COMP	1
F02-6		Trigger CMPT X	65490J690000	METER SUPPORT COMP	1
F02-7		Trigger X/ CMPT X	65550D010000	BLEED COVER INSTALL PLANK	1
F02-8		Trigger X/ CMPT X	86300D010000	SIDE REFLECTOR	2
F02-9		Trigger X	43061D010000	CLIP	1
F02-9		Trigger CMPT X	43061D010010	CLIP	1
F02-10		Trigger X/ CMPT X	43070D010020	CLIP	1
F02-11		Trigger X/ CMPT X	43008D010000	NUT	1
F02-12		Trigger X/ CMPT X	43022D010000	BALL RACE COVER II	1
F02-13		Trigger X/ CMPT X	43005D010000	BALL RACE COVER I	1
F02-14		Trigger X/ CMPT X	43018D010000	WASHER:DIRECTION MAST	1
F02-15		Trigger X/ CMPT X	43011D010000	UPPER BRACKET	1
F02-16		Trigger X/ CMPT X	43014D010000	CAP;HANDLE UPPER	2
F02-17		Trigger X/ CMPT X	43049D010000	BOLT,STEERING STEM	1
F02-18		Trigger X	65541D010000	BLEED COVER SUPPORT	1
F02-18		Trigger CMPT X	65541D010001	BLEED COVER SUPPORT	1
F02-19		Trigger X	81106D010000	F.L.TURN SIGNAL SEAT	1
F02-20		Trigger X	81306D010000	F.R.TURN SIGNAL SEAT	1
F02-21		Trigger X/ CMPT X	43035D010000	BRAKE HOSE HOLDER	2
F02-22		Trigger X/ CMPT X	43053D01W500	COVER;F.L. FORK ASSY.WHITE W5	1
F02-22		Trigger X/ CMPT X	43053D01BH00	COVER;F.L. FORK ASSY.BLACK BH	1
F02-23		Trigger X/ CMPT X	43054D01W500	COVER;F.R. FORK ASSY.WHITE W5	1
F02-23		Trigger X/ CMPT X	43054D01BH00	COVER;F.R. FORK ASSY.BLACK BH	1
F02-24		Trigger X/ CMPT X	B12016020500	BEARING 6205-2RS	1
F02-25		Trigger X/ CMPT X	B12133020500	BEARING 30205	1
F02-26		Trigger X/ CMPT X	B02050804065	SCREW M8×40MM	2
F02-27		Trigger X/ CMPT X	B02050803565	SCREW M8×35MM	4

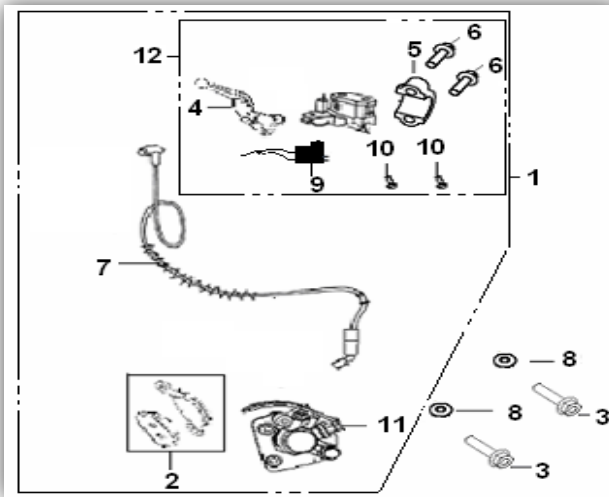
F02-28		Trigger X/ CMPT X	B07030000805	WASHER 8MM	4
F02-29		Trigger X/ CMPT X	B02050603065	SCREW M6×30MM	4
F02-30		Trigger X/ CMPT X	B13010501205	SCREW M5×12MM	2
F02-31		Trigger X/ CMPT X	B02000501225	SCREW M5×25MM	4
F02-32		Trigger X/ CMPT X	B04020500015	NUT M5MM	4
F02-33		Trigger X/ CMPT X	B13010601605	SCREW M6×16MM	4
F02-34		Trigger X/ CMPT X	B01090501265	BOLT M5×12MM	1
F02-35		Trigger X/ CMPT X	B07020000505	WASHER 5MM	1
F02-36		Trigger X/ CMPT X	B02000502025	SCREW M5×20MM	1
F02-37		Trigger X/ CMPT X	B04000500055	NUT M5MM	1
F02-38		Trigger X/ CMPT X	B01090501265	BOLT M5×12MM	1
F02-39		Trigger X/ CMPT X	B07020000505	WASHER 5MM	1
F02-40		Trigger X/ CMPT X	B04170500065	NUT M5MM	1
F02-41		Trigger X/ CMPT X	B02050503065	SCREW M5×30MM	2
F02-42		Trigger X/ CMPT X	43206D010000	COVER, ANTI-DUST	2
F02-43		Trigger X/ CMPT X	43260D010000	OIL SEAL	2

F03 图 FRONT WHEEL ASSY



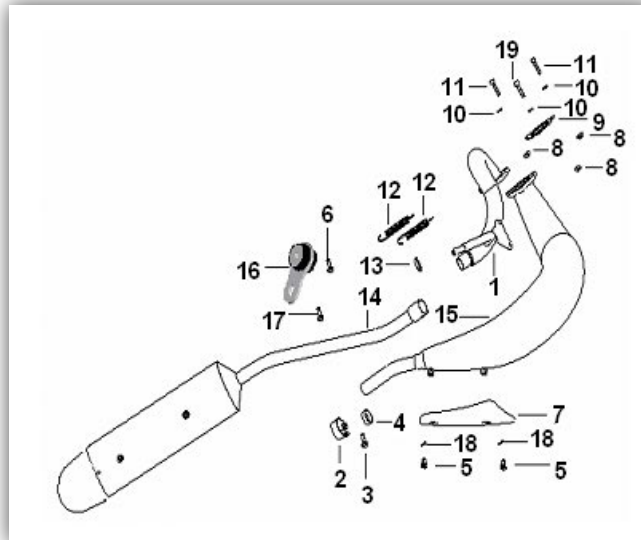
图号	版本	商业名称	零件号	英文描述	数量
NO.	Version	Commercial name	PART NO.	EN DESCRIPTION	QTY
F03-1	GE-01	Trigger X/ CMPT X	44200D010000	SEAT ASSY. GEAR	1
F03-2	GE-01	Trigger X/ CMPT X	44300B910000	DUST SEAL ASSY	2
F03-3	GE-01	Trigger X/ CMPT X	44005D010000	BUSH, FRONT WHEEL	1
F03-4	GE-02	Trigger X/ CMPT X	44006D010000	SPACER, CENTER ASSY	1
F03-5	GE-01	Trigger X	44101D010000	RIM, FRONT WHEELSILVER	1
F03-5	GE-01	Trigger CMPT X	44101D010010	RIM, FRONT WHEELBLACK	1
F03-6	GE-01	Trigger X/ CMPT X	45033D010000	FRONT BRAKE DISK	1
F03-7	GE-01	Trigger X/ CMPT X	45036D010000	BOLT, BRAKE DISK	6
F03-8	GE-01	Trigger X/ CMPT X	44004D010030	AXIL, FRONT WHEEL	1
F03-9	GE-01	Trigger X/ CMPT X	44110D010000	FRONT WHEEL HUB ASSY	1
F03-10	GE-01	Trigger X/ CMPT X	44112D010000	WHEEL HUB EMBED PIECE	1
F03-11	GE-02	Trigger X/ CMPT X	44102D010000	FRONT WHEEL HUB	1
F03-12	GE-01	Trigger X/ CMPT X	44011D010000	SPOKE	27
F03-13	GE-01	Trigger X/ CMPT X	44014D010000	NIPPLE	36
F03-14	GE-01	Trigger X/ CMPT X	44013D010000	PROTECTOR, TUBE	1
F03-15	GE-01	Trigger X/ CMPT X	B14153002121	TIRE 3.00-21	1
F03-16	GE-01	Trigger X/ CMPT X	B14023002100	INNER TUBE 3.00-21	1
F03-17	GE-01	Trigger X/ CMPT X	B12016020200	BEARING 6202-2RS	2
F03-18	GE-01	Trigger X/ CMPT X	B1404Z2011A0	CAP, VALVE A	1
F03-19	GE-01	Trigger X/ CMPT X	44012D010000	SPOKE	9
F03-20	GE-01	Trigger X/ CMPT X	44100D01001Z	RIM, FRONT WHEEL	1

F04 FRONT DISC BRAKE



NO.	Version	Commercial name	PART NO.	EN DESCRIPTION	QTY
F04-1	GE-02	Trigger X/ CMPT X	45900D010000	DISK BRAKE ASSY.	1
F04-2	GE-01	Trigger X/ CMPT X	45110D010000	BRAKE SHOE ASSY	1
F04-3	GE-02	Trigger X/ CMPT X	08012B920000	BOLT M8×34MM	2
F04-4	GE-01	Trigger X/ CMPT X	45022D010000	LEVER, DISK BRAKE	1
F04-5	GE-01	Trigger X/ CMPT X	45023D010000	COVER	1
F04-6	GE-01	Trigger X/ CMPT X	B02050602565	SCREW M6×25MM	2
F04-7	GE-01	Trigger X/ CMPT X	45200D010000	BRAKE TUBE ASSY	1
F04-8	GE-01	Trigger X/ CMPT X	B07030000804	WASHER 8MM	2
F04-9	GE-01	Trigger X/ CMPT X	45300D010000	BRAKE SWITCH ASSY	1
F04-9	GE-01	Trigger X/ CMPT X	45300D010000	BRAKE SWITCH ASSY	1
F04-10	GE-01	Trigger X/ CMPT X	B02000201225	SCREW M2×12MM	2
F04-10	GE-01	Trigger X/ CMPT X	B02040301223	SCREW M3×12MM	2
F04-11	GE-01	Trigger X/ CMPT X	45500D010000	BRAKE PUMP	1
F04-12	GE-01	Trigger X/ CMPT X	45400D010000	MASTER CYLINDER ASSY.	1

F05 排气系统 MUFFLER ASSY



NO.	Version	Commercial name	PART NO.	EN DESCRIPTION	QTY
F05-1	GE-01	Trigger X	47500D010001	EXHAUST PIPE,ASSY	1
F05-1	GE-02	Trigger X/ CMPT X	47500D010004	EXHAUST PIPE,ASSY	1
F05-2	GE-01	Trigger X/ CMPT X	47150D010000	CLAMP,ASSY	1
F05-3	GE-01	Trigger X/ CMPT X	B01090602565	BOLT M6×25MM	1
F05-4	GE-01	Trigger X/ CMPT X	47035D010000	SPACE	1
F05-5	GE-01	Trigger X/ CMPT X	B02000601025	SCREW M6×10MM	2
F05-6	GE-01	Trigger X/ CMPT X	B01090602065	BOLT M6×20MM	1
F05-7	GE-01	Trigger X/ CMPT X	47009D010000	COVER,PROTECTOR	1
F05-8	GE-01	Trigger X/ CMPT X	B04070600055	NUT M6MM	3
F05-9	GE-01	Trigger X/ CMPT X	47121D010000	GASKET, MUFFLER	1
F05-10	GE-01	Trigger X/ CMPT X	B07030000605	WASHER 6MM	3
F05-11	GE-01	Trigger X/ CMPT X	B02050602565	SCREW M6×25MM	2
F05-12	GE-01	Trigger X/ CMPT X	47041D010000	SPRING	2
F05-13	GE-02	Trigger X/ CMPT X	53303D010000	GASKET	1
F05-14	GE-01	Trigger X/ CMPT X	48200D010000	MUFFLER COMP,BACK	1
F05-15	GE-01	Trigger X/ CMPT X	47200D010000	MUFFLER COMP,FRONT	1
F05-16	GE-01	Trigger X/ CMPT X	47600D050000	RUBBER CUSHION ASSY	1
F05-17	GE-01	Trigger X/ CMPT X	B01090601265	BOLT M6×12MM	1
F05-18	GE-01	Trigger X/ CMPT X	B07030000605	WASHER 6MM	2
F05-19	GE-02	Trigger X/ CMPT X	08013B920010	SCREW	1

F06 図 図 図 AIR CLEANER ASSY.

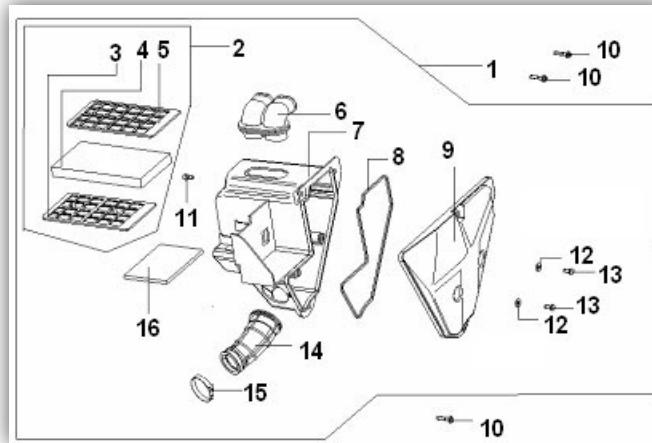
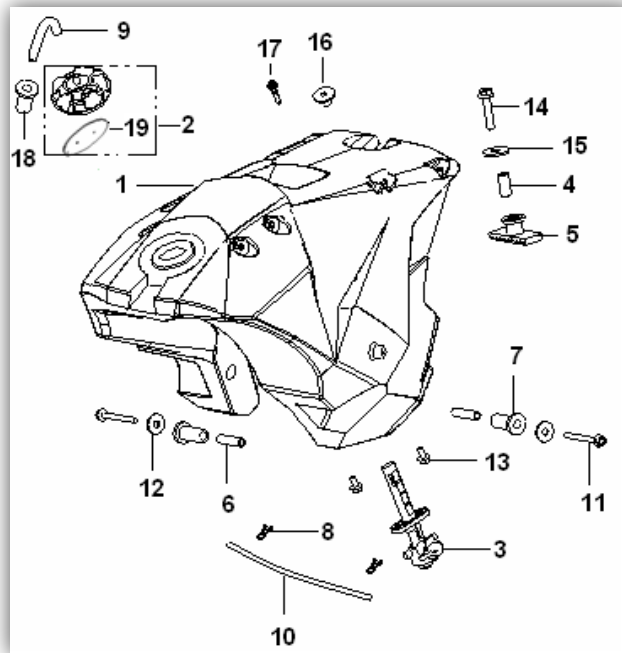


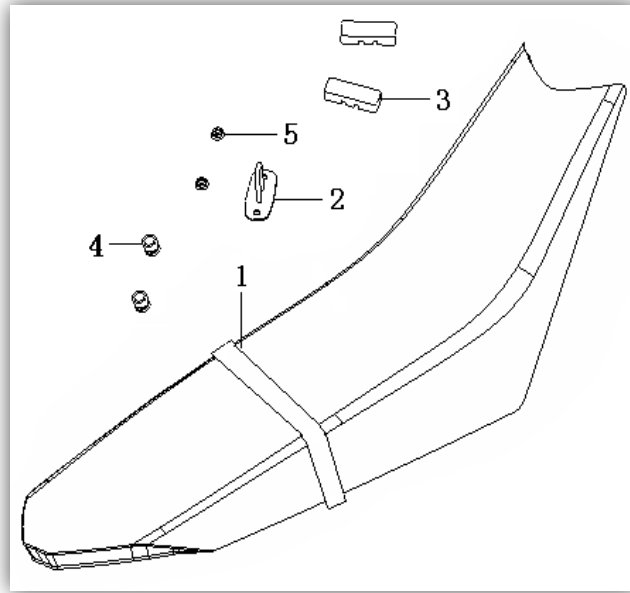
図 NO.	版 Version	商名 Commercial name	部番 PART NO.	記述 EN DESCRIPTION	数量 QTY
F06-1	GE-02	Trigger X/ CMPT X	4900D010000	AIR CLEANER ASSY.	1
F06-2	GE-01	Trigger X/ CMPT X	4920D010000	AIR ELEMENT ASSY.	1
F06-3	GE-01	Trigger X/ CMPT X	49204D010000	FILTRATE1	1
F06-4	GE-01	Trigger X/ CMPT X	49202D010000	SPONGE AIR ELEMENT	1
F06-5	GE-01	Trigger X/ CMPT X	49207D010000	FILTRATE2	1
F06-6	GE-01	Trigger X/ CMPT X	49002D010000	GUIDE PIPE	1
F06-7	GE-01	Trigger X/ CMPT X	4910D010000	CASE, AIR CLEANER ASSY	1
F06-8	GE-01	Trigger X/ CMPT X	49013D010000	SEAL GASKET	1
F06-9	GE-01	Trigger X/ CMPT X	49001D010000	COVER, AIR CLEANER	1
F06-10	GE-01	Trigger X/ CMPT X	B13060502505	SCREW M5×25MM	3
F06-11	GE-01	Trigger X/ CMPT X	B02000501625	SCREW M5×16MM	1
F06-12	GE-01	Trigger X/ CMPT X	49022D010000	GROMMET	2
F06-13	GE-01	Trigger X/ CMPT X	B13060501205	SCREW M5×12MM	2
F06-14	GE-01	Trigger X/ CMPT X	49005D010000	CONNECTTING PIPE	1
F06-15	GE-01	Trigger X/ CMPT X	49350G120000	CLIP	1
F06-16	GE-01	Trigger X/ CMPT X	49003D010000	SPONGE	1

F07 图 FUEL TANK ASSY.



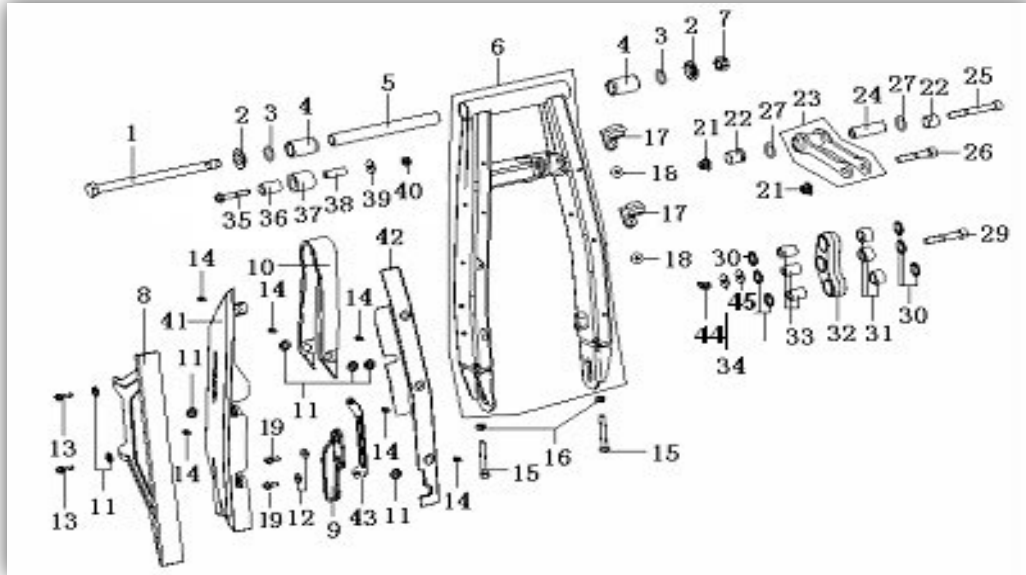
图号	版本	商业名称	零件号	英文描述	数量
NO.	Version	Commercial name	PART NO.	EN DESCRIPTION	QTY
F07-1	GE-01	Trigger X/ CMPT X	50100D010000	FUEL TANK ASSY	1
F07-2	GE-01	Trigger X/ CMPT X	50200D010000	CAP,FULE TANK	1
F07-3	GE-01	Trigger X/ CMPT X	50300D010000	STRAINERCOMPASSY,FUEL	1
F07-4	GE-01	Trigger X/ CMPT X	50025D010000	GASKET II	1
F07-5	GE-01	Trigger X/ CMPT X	50005D010000	BACK FIXING MAT,FUEL	1
F07-6	GE-01	Trigger X/ CMPT X	50027D010000	GASKET I	2
F07-7	GE-01	Trigger X/ CMPT X	50026D010000	FRONT FIXING MAT,FUEL	2
F07-8	GE-02	Trigger X/ CMPT X	B17010080003	CLAMP	2
F07-9	GE-01	Trigger X/ CMPT X	B16010520301	PIPE Ø5×Φ9×30	1
F07-10	GE-01	Trigger X/ CMPT X	B16010521901	HOSE, FUEL Ø5×Φ9×190	1
F07-11	GE-01	Trigger X/ CMPT X	B01090605565	BOLT M6×55MM	2
F07-12	GE-01	Trigger X/ CMPT X	B07090000605	WASHER 6MM	2
F07-13	GE-01	Trigger X/ CMPT X	B01090601265	BOLT M6×12MM	2
F07-14	GE-01	Trigger X/ CMPT X	B01090804065	BOLT M8×40MM	1
F07-15	GE-01	Trigger X/ CMPT X	B07090000805	WASHER 8MM	1
F07-16	GE-01	Trigger X/ CMPT X	50031D010000	SPACE	1
F07-17	GE-01	Trigger X/ CMPT X	B01090502065	BOLT M5×20MM	1
F07-18	GE-02	Trigger X/ CMPT X	119031170000	UNILATERALISM VALVE ASSY	1
F07-19	GE-01	Trigger X/ CMPT X	50203D010000	CUSHION	1

F08 图号 SEAT ASSY



图号	图号	图号	图号	图号	图号
NO.	Version	Commercial name	PART NO.	EN DESCRIPTION	QTY
F08-1	GE-01	Trigger X/ CMPT X	51100D010000	SEAT ASSY	1
F08-1	GE-01	Trigger X	51100D010002	SEAT ASSY	1
F08-2	GE-01	Trigger X/ CMPT X	51150D010000	CATCH COMP LOCK ASSY	1
F08-3	GE-01	Trigger X/ CMPT X	51103J000000	RUBBER CUSHION	2
F08-4	GE-01	Trigger X/ CMPT X	51104K010000	RUBBER CUSHION	2
F08-5	GE-01	Trigger X/ CMPT X	B04070600055	NUT M6MM	2

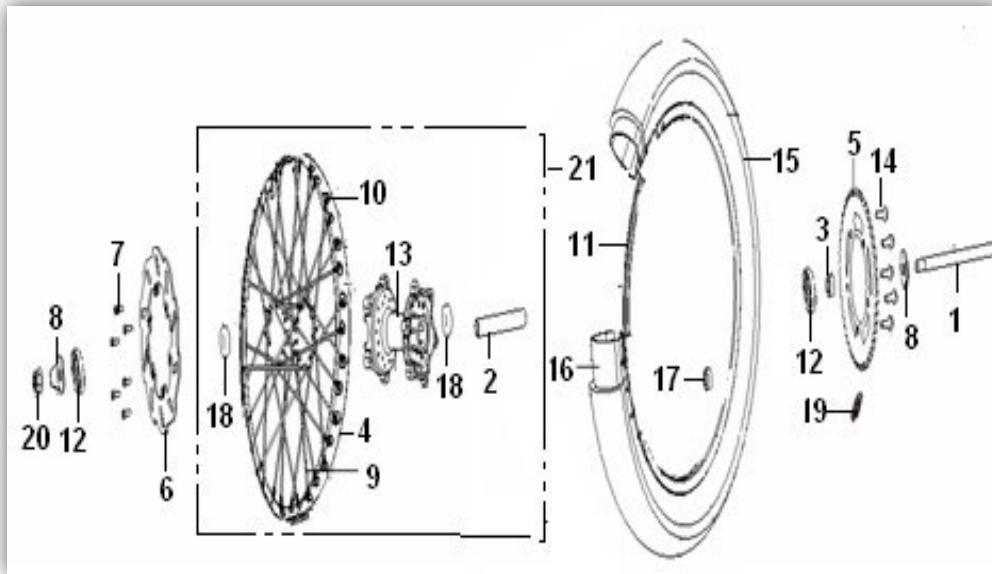
F09 REAR SWINGING ARM



NO.	Version	Commercial name	PART NO.	EN DESCRIPTION	QTY
F09-1	GE-01	Trigger X/ CMPT X	53001D010000	SHAFT	1
F09-2	GE-01	Trigger X/ CMPT X	53017D010010	REAR SWINGING ARM SIDE COVER	2
F09-3	GE-01	Trigger X/ CMPT X	B190102000C0	O-SEAL RING 20×3.55	2
F09-4	GE-01	Trigger X/ CMPT X	53006D010010	SPACER	2
F09-5	GE-01	Trigger X/ CMPT X	53005D010000	INSIDE COLLAR	1
F09-6	GE-02	Trigger X/ CMPT X	53100D010010	REAR SWINGING BODY	1
F09-7	GE-01	Trigger X/ CMPT X	B04171415054	NUT M14×1.5MM	1
F09-8	GE-01	Trigger X/ CMPT X	53053D010000	TOP PROTECTOR COVER CHAIN	1
F09-9	GE-01	Trigger X/ CMPT X	53054D01W500	BELOW PROTECTOR COVER CHAIN WHITE W5	1
F09-9	GE-01	Trigger X/ CMPT X	53054D01BH00	BELOW PROTECTOR COVER CHAIN BLACK BH	1
F09-10	GE-01	Trigger X/ CMPT X	53004D010000	CHAIN PROTECTOR BOARD	1
F09-11	GE-02	Trigger X/ CMPT X	53056D010050	SPACER 2	7
F09-12	GE-01	Trigger X/ CMPT X	53055D010000	SPACER 1	2
F09-13	GE-01	Trigger X/ CMPT X	B01090501665	BOLT M5×16MM	2
F09-14	GE-01	Trigger X/ CMPT X	B02000501225	SCREW M5×12MM	6
F09-15	GE-01	Trigger X/ CMPT X	B01010806025	BOLT M8×60MM	2
F09-16	GE-01	Trigger X/ CMPT X	B04000800055	NUT M8MM	2
F09-17	GE-02	Trigger X/ CMPT X	43036D010000	BRAKE HOSE HOLDER	2
F09-18	GE-01	Trigger X/ CMPT X	B01090601665	SCREW M6×16MM	2
F09-19	GE-01	Trigger X/ CMPT X	B01090601665	BOLT M6×16MM	2
F09-21	GE-01	Trigger X/ CMPT X	B04171012555	NUT M10×1.25MM	2
F09-22	GE-01	Trigger X/ CMPT X	53301D010000	INSIDE BUSH	2
F09-23	GE-01	Trigger X/ CMPT X	53310D010000	ARM JOIN COMP	1
F09-24	GE-02	Trigger X/ CMPT X	53302D010030	COLLAR	1
F09-25	GE-01	Trigger X/ CMPT X	B02551008585	SCREW M10×1.25×85MM	1
F09-26	GE-01	Trigger X/ CMPT X	B02551005585	SCREW M10×1.25×55MM	1
F09-27	GE-01	Trigger X/ CMPT X	53303D010000	O-SEAL RING 18×2.5	2
F09-29	GE-01	Trigger X/ CMPT X	B02551006085	SCREW M10×1.25×60MM	1
F09-30	GE-01	Trigger X/ CMPT X	53250D010000	DUSTPROOF COVER	6
F09-31	GE-01	Trigger X/ CMPT X	B1210K161600	BEARING NK16/16	3
F09-32	GE-01	Trigger X/ CMPT X	53241D010000	REAR ABSORBER SWINGING ARM	1
F09-33	GE-02	Trigger X/ CMPT X	53242D010010	BUSH	3
F09-34	GE-01	Trigger X/ CMPT X	B07030001005	WASHER 10MM	1
F09-35	GE-01	Trigger X/ CMPT X	B01090805065	BOLT M8×50MM	1
F09-36	GE-01	Trigger X/ CMPT X	53019D010000	BUSH	1
F09-37	GE-01	Trigger X/ CMPT X	53018D010000	CHAIN ADJUST WHEEL	1
F09-38	GE-01	Trigger X/ CMPT X	53021D010000	BUSH	1

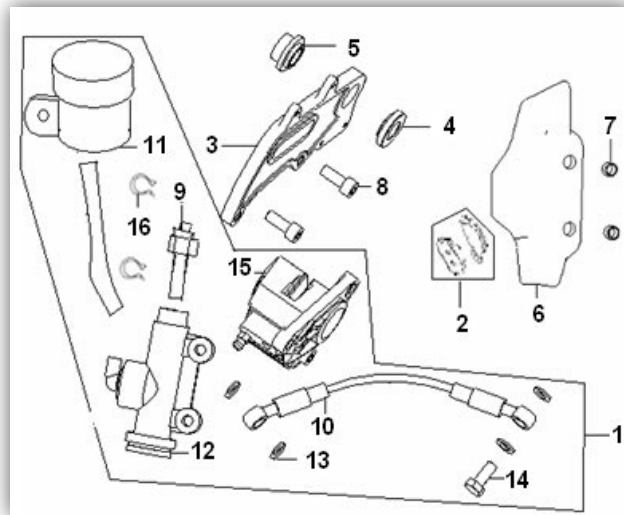
F09-39	GE-01	Trigger X/ CMPT X	B07020000805	WASHER 8MM	1
F09-40	GE-02	Trigger X/ CMPT X	B04000800055	NUT M8MM	1
F09-41	GE-01	Trigger X/ CMPT X	53051D010000	DECORATE L REAR SWINGING ARM	1
F09-42	GE-01	Trigger X/ CMPT X	53052D010000	DECORATE R REAR SWINGING ARM	1
F09-43	GE-01	Trigger X/ CMPT X	53060D010000	STRENGTHEN COMP.	1
F09-44	GE-01	Trigger X/ CMPT X	B04171012555	NUT M10x1.25MM	1
F09-45	GE-02	Trigger X/ CMPT X	B07030001005	WASHER 10MM	1

F10 Rear Wheel Assy



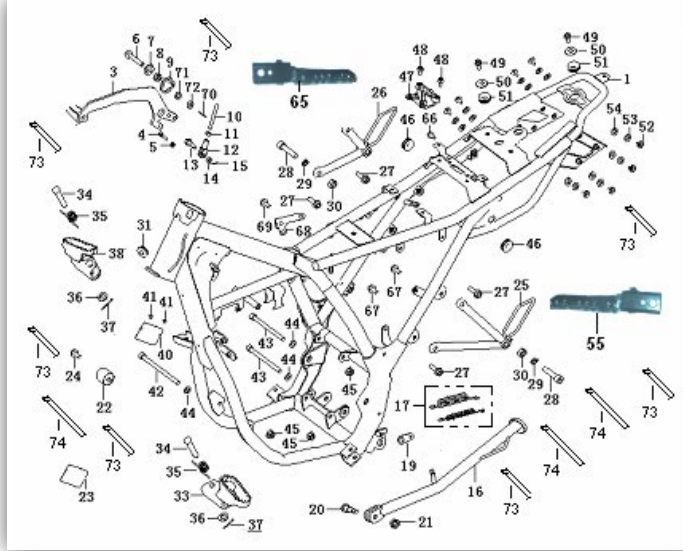
NO.	Version	Commercial name	PART NO.	EN DESCRIPTION	QTY
F10-1	GE-01	Trigger X/ CMPT X	54004D010000	AXLE, REAR WHEEL	1
F10-2	GE-02	Trigger X/ CMPT X	54006D010000	SPACER,CENTER	1
F10-3	GE-02	Trigger X/ CMPT X	54016D010040	SPACER, RR. WHEEL,L.	1
F10-4	GE-02	Trigger X/ CMPT X	54101D040000	RIM,REAR WHEEL	1
F10-4	GE-01	Trigger X/ CMPT X	54101D010010	RIM,REAR WHEEL	1
F10-5	GE-01	Trigger X/ CMPT X	60002D010000	SPROKET,CHAIN	1
F10-6	GE-01	Trigger X/ CMPT X	55033D010000	REAR BRAKE DISK	1
F10-7	GE-01	Trigger X/ CMPT X	45036D010000	BOLT, BRAKE DISK	6
F10-8	GE-01	Trigger X/ CMPT X	54032D010000	REAR PRESS BOARD	2
F10-9	GE-01	Trigger X/ CMPT X	54011D010001	SPOKE OUTSIDE	18
F10-9	GE-01	Trigger X/ CMPT X	54012D010001	SPOKE INSIDE	18
F10-10	GE-01	Trigger X/ CMPT X	54014D010001	NIPPLE	36
F10-11	GE-01	Trigger X/ CMPT X	44013D010003	PROTECTOR,TUBE	1
F10-12	GE-01	Trigger X/ CMPT X	44300B910000	DUST SEAL ASSY	2
F10-13	GE-01	Trigger X/ CMPT X	54102D010001	REAR WHEEL HUB	1
F10-14	GE-01	Trigger X/ CMPT X	60015D010000	BOLT,SPROKET	5
F10-15	GE-01	Trigger X/ CMPT X	B14154101821	TIRE 4.10-18	1
F10-16	GE-01	Trigger X/ CMPT X	B14024101800	INNER TUBE 4.10-18	1
F10-17	GE-01	Trigger X/ CMPT X	B1404Z2011A0	CAP, VALVE A	1
F10-18	GE-01	Trigger X/ CMPT X	B12016020200	BEARING 6202-2RS	2
F10-19	GE-01	Trigger X/ CMPT X	B1502V1128B0	DRIVE CHAIN 420DX-1×128	1
F10-20	GE-02	Trigger X/ CMPT X	B04171415054	NUT M14×1.5MM	1
F10-21	GE-01	Trigger X/ CMPT X	54100D01002Z	RIM,REAR WHEEL	1

F11 図 図 図 REAR DISK BRAKE



図号 NO.	バージョン Version	商品名 Commercial name	部品番号 PART NO.	説明 EN DESCRIPTION	数量 QTY
F11-1	GE-01	Trigger X/ CMPT X	55000D010000	BACK DISK BRAKE	1
F11-2	GE-01	Trigger X/ CMPT X	55110D010000	BRAKE SHOE ASSY	1
F11-3	GE-01	Trigger X/ CMPT X	55025D010000	BRACKET	1
F11-4	GE-01	Trigger X/ CMPT X	55049D010000	BUSH I	1
F11-5	GE-01	Trigger X/ CMPT X	55095D010000	BUSH II	1
F11-6	GE-01	Trigger X/ CMPT X	55041D010000	DECORATE BOARD	1
F11-7	GE-02	Trigger X/ CMPT X	55042D010050	BUSH	2
F11-8	GE-01	Trigger X/ CMPT X	B02050802065	SCREW M8x20MM	2
F11-9	GE-01	Trigger X/ CMPT X	55300D010000	PRESSURE SENDER ASSY	1
F11-10	GE-01	Trigger X/ CMPT X	55200D010000	HOSE ASSY [7] BRAKE	1
F11-11	GE-01	Trigger X/ CMPT X	55140D010000	RESERVOIR , BRAKE FLUID	1
F11-12	GE-01	Trigger X/ CMPT X	55400D010000	CYLINDER ASSY [7] MASTER	1
F11-13	GE-01	Trigger X/ CMPT X	55029J000000	WASHER	4
F11-14	GE-01	Trigger X/ CMPT X	45037J000000	BANJO BOLT	2
F11-15	GE-01	Trigger X/ CMPT X	55600D010000	CALIPER ASSY [7] BRAKE	1
F11-16	GE-01	Trigger X/ CMPT X	55067D090000	CLIP	2

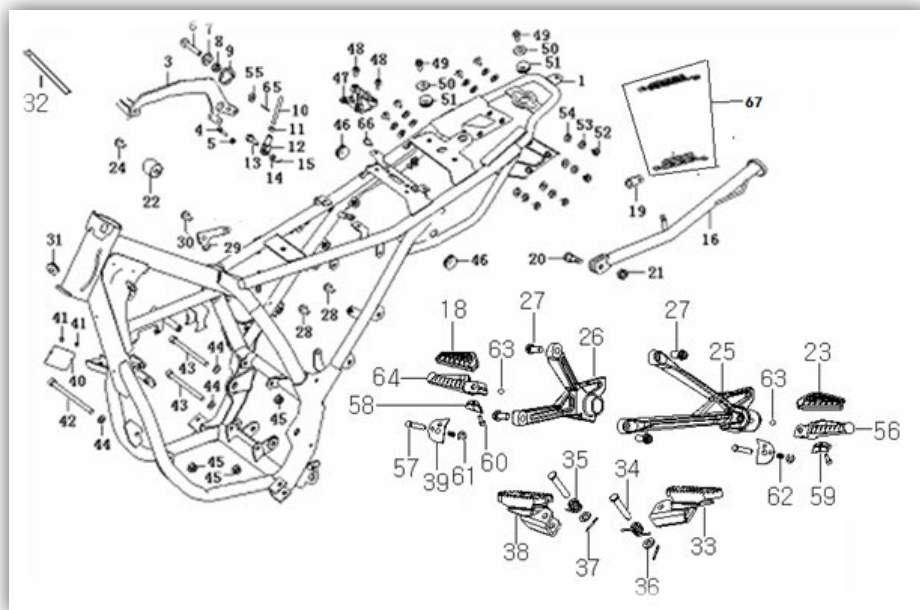
F12-01 车架总成 FRAME ASSY FOR TRIGGER X



NO.	Version	Commercial name	PART NO.	EN DESCRIPTION	QTY
F12-01-1	GE-01	Trigger X	57100D010000	FRAME JOINTING ASSY	1
F12-01-3	GE-01	Trigger X	40710D010000	PEDAL JOINTING ASSY,BRAKE	1
F12-01-4	GE-01	Trigger X	B01090603065	BOLT M6×30MM	1
F12-01-5	GE-01	Trigger X	B04000600055	NUT M6MM	1
F12-01-6	GE-01	Trigger X	40718D010000	BOLT	1
F12-01-7	GE-01	Trigger X	40705D010000	SPACER	1
F12-01-8	GE-01	Trigger X	B04080800055	NUT M8MM	1
F12-01-9	GE-01	Trigger X	40709D010000	SPRING	1
F12-01-10	GE-01	Trigger X	40715D010000	PULL ROD	1
F12-01-11	GE-01	Trigger X	B04000600055	NUT M6MM	1
F12-01-12	GE-01	Trigger X	40716D010000	PULL HANDLE	1
F12-01-13	GE-01	Trigger X	40717D010000	BOLT	1
F12-01-14	GE-01	Trigger X	B04000600055	NUT M6MM	1
F12-01-15	GE-01	Trigger X	B090002018A3	SPLIT PIN 2×18MM	1
F12-01-16	GE-02	Trigger X	58700D010001	SIDE STAND	1
F12-01-17	GE-01	Trigger X	57010D010000	SPRING ASSY,SIDE STAND	1
F12-01-19	GE-01	Trigger X	57006D010000	SPRING PLATE	1
F12-01-20	GE-01	Trigger X	57005D010000	BOLT	1
F12-01-21	GE-01	Trigger X	B04011012555	NUT M10×1.25MM	1
F12-01-22	GE-01	Trigger X	58920D010000	RUBBER MAT COMP	1
F12-01-23	GE-01	Trigger X	57002D010000	PLATE,VIN	1
F12-01-24	GE-01	Trigger X	B01090600865	BOLT M6×8MM	1
F12-01-25	GE-01	Trigger X	58270D010000	CANAL PEDAL COMP REAR LH	1
F12-01-26	GE-01	Trigger X	58290D010000	CANAL PEDAL COMP REAR RH	1
F12-01-27	GE-01	Trigger X	B01090802565	BOLT M8×25MM	4
F12-01-28	GE-01	Trigger X	B02051004565	SCREW M10×45MM	2
F12-01-29	GE-01	Trigger X	B07000001005	WASHER 10MM	2
F12-01-30	GE-01	Trigger X	B04051000065	NUT M10MM	2
F12-01-31	GE-01	Trigger X	65705J000000	WASHER	1
F12-01-33	GE-01	Trigger X	58250D010000	PANEL FLOOR JOINTING COMP LH	1
F12-01-34	GE-01	Trigger X	57024D010000	PIN	2
F12-01-35	GE-01	Trigger X	58202D010000	SPRING	2
F12-01-36	GE-01	Trigger X	B07030000805	WASHER 8MM	2
F12-01-37	GE-01	Trigger X	B090002018A3	SPLIT PIN 2×18MM	2
F12-01-38	GE-01	Trigger X	58230D010000	PANEL FLOOR JOINTING COMP RH	1
F12-01-40	GE-01	Trigger X	57001D010000	PLATE,VIN	1
F12-01-41	GE-01	Trigger X	B10000300600	RIVET 3×6MM	2
F12-01-42	GE-01	Trigger X	B02050812065	SCREW M8×120MM	1

F12-01-43	GE-01	Trigger X	B02050810065	SCREW M8×100MM	2
F12-01-44	GE-01	Trigger X	B07030000805	WASHER 8MM	3
F12-01-45	GE-01	Trigger X	B04170800055	NUT M8MM	3
F12-01-46	GE-01	Trigger X	65618J000000	CUSHION	2
F12-01-47	GE-01	Trigger X	88500D010000	LOCK	1
F12-01-48	GE-01	Trigger X	B01090601265	BOLT M6×12MM	2
F12-01-49	GE-01	Trigger X	B01090801665	BOLT M8×16MM	2
F12-01-50	GE-01	Trigger X	57206D010000	BUSHIMUFFER	2
F12-01-51	GE-01	Trigger X	57209D010000	CUSHIONMUFFER	2
F12-01-52	GE-01	Trigger X	57032D010000	CUSHION	8
F12-01-53	GE-01	Trigger X	B07030000805	WASHER 8MM	8
F12-01-54	GE-01	Trigger X	B13060501205	SCREW M5×12MM	8
F12-01-55	GE-02	Trigger X	58260B030000	PEDAL COMP REAR LH	1
F12-01-65	GE-02	Trigger X	58280B030000	PEDAL COMP REAR RH	1
F12-01-66	GE-01	Trigger X	B01090601265	BOLT M6×12MM	1
F12-01-67	GE-01	Trigger X	B01090602065	BOLT M6×20MM	2
F12-01-68	GE-01	Trigger X	57173D010000	ENHANCE BOARD VALVE	1
F12-01-69	GE-01	Trigger X	B01090601265	BOLT M6×12MM	1
F12-01-70	GE-01	Trigger X	B090002018A3	SPLIT PIN 2×18MM	1
F12-01-71	GE-01	Trigger X	B07000000805	WASHER 8MM	1
F12-01-72	GE-01	Trigger X	B07030000805	WASHER 8MM	1
F12-01-73	GE-01	Trigger X	96001J000000	BAND7×150MM	7
F12-01-74	GE-01	Trigger X	96002J000000	BAND7×200MM	3

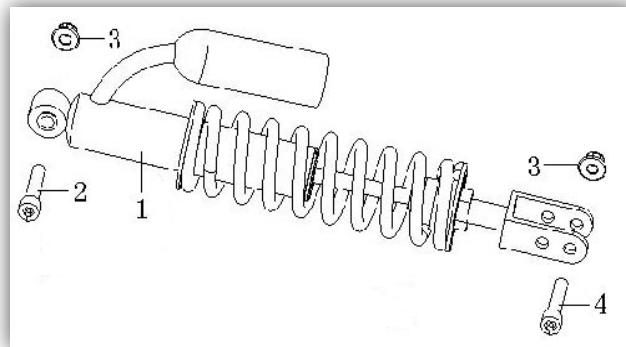
F12-02 车架总成 FRAME ASSY FOR TRIGGER CMPT X



图号	版本	商业名称	零件号	英文描述	数量
NO.	Version	Commercial name	PART NO.	EN DESCRIPTION	QTY
F12-02-1	GE-01	Trigger CMPT X	57100D010000	FRAME JOINTING ASSY	1
F12-02-3	GE-01	Trigger CMPT X	40710D010000	PEDAL JOINTING ASSY,BRAKE	1
F12-02-4	GE-01	Trigger CMPT X	B01090602565	BOLT M6×25MM	1
F12-02-5	GE-01	Trigger CMPT X	B04000600055	NUT M6MM	1
F12-02-6	GE-01	Trigger CMPT X	40718D010000	BOLT	1
F12-02-7	GE-01	Trigger CMPT X	40705D010000	SPACER	1
F12-02-8	GE-01	Trigger CMPT X	B04080800055	NUT M8MM	1
F12-02-9	GE-01	Trigger CMPT X	40709D010000	SPRING	1
F12-02-10	GE-01	Trigger CMPT X	40715D010000	PULL ROD	1
F12-02-11	GE-01	Trigger CMPT X	B04000600055	NUT M6MM	1
F12-02-12	GE-01	Trigger CMPT X	40716D010000	PULL HANDLE	1
F12-02-13	GE-01	Trigger CMPT X	40717D010000	BOLT	1
F12-02-14	GE-01	Trigger CMPT X	B04000600055	NUT M6MM	1
F12-02-15	GE-01	Trigger CMPT X	B090002018A3	SPLIT PIN 2×18MM	1
F12-02-16	GE-01	Trigger CMPT X	58700D010001	SIDE STAND	1
F12-02-18	GE-01	Trigger CMPT X	08372S020000	right footrest rubber	1
F12-02-19	GE-01	Trigger CMPT X	57006D010000	SPRING PLATE	1
F12-02-20	GE-01	Trigger CMPT X	57005D010000	BOLT	1
F12-02-21	GE-01	Trigger CMPT X	B04011012563	NUT M10×1.25MM	1
F12-02-22	GE-01	Trigger CMPT X	58920D010000	RUBBER MAT COMP	1
F12-02-23	GE-01	Trigger CMPT X	08352S020000	left footrest rubber	1
F12-02-24	GE-01	Trigger CMPT X	B01090601065	BOLT M6×10MM	1
F12-02-25	GE-01	Trigger CMPT X	58271J690000	footrest left back mounting bracket	1
F12-02-26	GE-01	Trigger CMPT X	58281J690000	footrest right back mounting bracket	1
F12-02-27	GE-01	Trigger CMPT X	B01090802565	BOLT M8×25MM	4
F12-02-28	GE-01	Trigger CMPT X	B01090602065	BOLT M6×20MM	2
F12-02-29	GE-01	Trigger CMPT X	57173D010000	ENHANCE BOARD,VALVE	1
F12-02-30	GE-01	Trigger CMPT X	B01090601265	BOLT M6×12MM	1
F12-02-31	GE-01	Trigger CMPT X	65705J000000	WASHER	1
F12-02-32	GE-01	Trigger CMPT X	96002J000000	BAND7×200MM	3
F12-02-33	GE-01	Trigger CMPT X	58250D010000	PANEL FLOOR JOINTING COMP LH	1
F12-02-34	GE-01	Trigger CMPT X	57024D010000	PIN	2
F12-02-35	GE-01	Trigger CMPT X	58202D010000	SPRING	2
F12-02-36	GE-01	Trigger CMPT X	B07030000805	WASHER 8MM	2
F12-02-37	GE-01	Trigger CMPT X	B090002018A3	SPLIT PIN 2×18MM	2

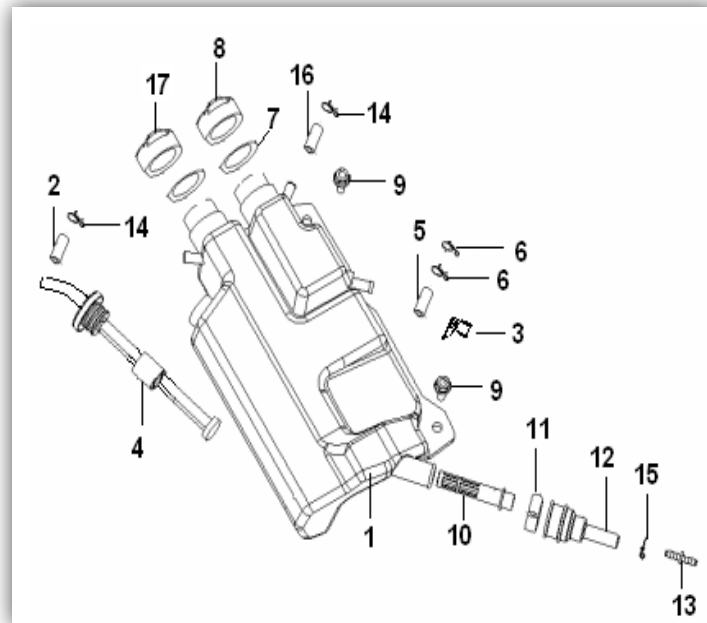
F12-02-38	GE-01	Trigger CMPT X	58230D010000	PANEL FLOOR JOINTING COMP RH	1
F12-02-39	GE-01	Trigger CMPT X	58451S010000	mounting plate, kick-pedal,	2
F12-02-40	GE-01	Trigger CMPT X	57001D010000	PLATE,VIN	1
F12-02-41	GE-01	Trigger CMPT X	B10000300600	RIVET 3×6MM	2
F12-02-42	GE-01	Trigger CMPT X	B02050812065	SCREW M8×120MM	1
F12-02-43	GE-01	Trigger CMPT X	B02050810065	SCREW M8×100MM	2
F12-02-44	GE-01	Trigger CMPT X	B07030000805	WASHER 8MM	3
F12-02-45	GE-01	Trigger CMPT X	B04170800055	NUT M8MM	3
F12-02-46	GE-01	Trigger CMPT X	65618J000000	CUSHION	2
F12-02-47	GE-01	Trigger CMPT X	88500D010000	LOCK	1
F12-02-48	GE-01	Trigger CMPT X	B01090601265	BOLT M6×12MM	2
F12-02-49	GE-01	Trigger CMPT X	B01090801665	BOLT M8×16MM	2
F12-02-50	GE-01	Trigger CMPT X	57206D010000	BUSH:MUFFER	2
F12-02-51	GE-01	Trigger CMPT X	57209D010000	CUSHION:MUFFER	2
F12-02-52	GE-01	Trigger CMPT X	57032D010000	CUSHION	8
F12-02-53	GE-01	Trigger CMPT X	B07030000805	WASHER 8MM	8
F12-02-54	GE-01	Trigger CMPT X	B13060501205	SCREW M5×12MM	8
F12-02-55	GE-01	Trigger CMPT X	B07030000805	WASHER 8MM	1
F12-02-56	GE-01	Trigger CMPT X	58266S010000	footrest left back	1
F12-02-57	GE-01	Trigger CMPT X	58217S010000	footrest pin shaft, mounting	2
F12-02-58	GE-01	Trigger CMPT X	58405S020000	right footrest rubber block	1
F12-02-59	GE-01	Trigger CMPT X	58205S020000	left footrest rubber block	1
F12-02-60	GE-01	Trigger CMPT X	B0280040100A	BOLT M4X10	2
F12-02-61	GE-01	Trigger CMPT X	B0882000050A	circlip5	2
F12-02-62	GE-01	Trigger CMPT X	58262S010000	footrest spring	2
F12-02-63	GE-01	Trigger CMPT X	B06000002000	footrest ball	2
F12-02-64	GE-01	Trigger CMPT X	58286S010000	footrest right back	1
F12-02-65	GE-01	Trigger CMPT X	B090002018A3	SPLIT PIN 2×18MM	1
F12-02-66	GE-01	Trigger CMPT X	B01090601265	BOLT M6×12MM	1
F12-02-67	GE-01	Trigger CMPT X	57010D010000	SPRING ASSY,SIDE STAND	1

F13 Rear Shock Absorber Assy



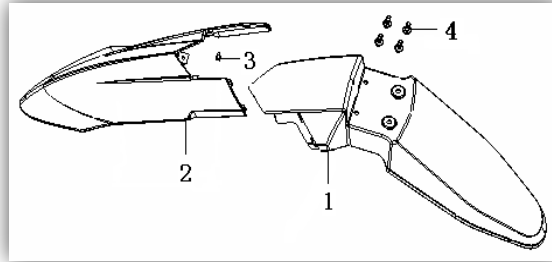
NO.	Version	Commercial name	PART NO.	EN DESCRIPTION	QTY
F13-1	GE-02	Trigger X/ CMPT X	63800D010000	RR. ABSORBER COMP	1
F13-2	GE-02	Trigger X/ CMPT X	B02551005085	BOLT M10×1.25×50MM	1
F13-3	GE-01	Trigger X/ CMPT X	B04171012555	NUT M10×1.25MM	2
F13-4	GE-01	Trigger X/ CMPT X	B02551005085	BOLT M10×1.25×50MM	1

F14 図 図 図 OIL TANK



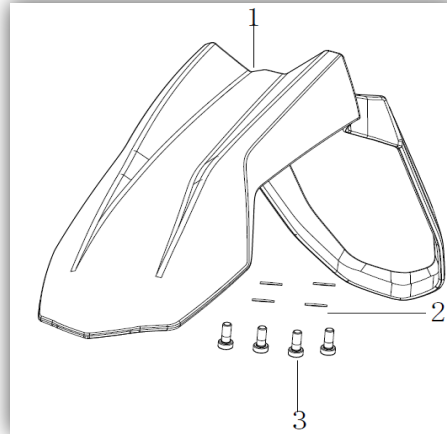
図号	バージョン	商名	部品番号	説明	数量
NO.	Version	Commercial name	PART NO.	EN DESCRIPTION	QTY
F14-1	GE-02	Trigger X/ CMPT X	64001D010000	OIL TANK WHITE (ADD OIL MARK)	1
F14-2	GE-01	Trigger X/ CMPT X	B16010723701	PIPE $\Phi 7 \times \Phi 11 \times 370$ MM	1
F14-3	GE-02	Trigger X/ CMPT X	43061D010010	CLIP	1
F14-4	GE-01	Trigger X/ CMPT X	64100D010000	OIL SENSOR ASSY	1
F14-5	GE-02	Trigger X/ CMPT X	06102D010000	HOSE	1
F14-6	GE-02	Trigger X/ CMPT X	B1701016000A	CLIP 10-16MM	2
F14-7	GE-01	Trigger X/ CMPT X	64092D010000	GASKET WATER TANK CAP	2
F14-8	GE-01	Trigger X/ CMPT X	64031D010000	WATER TANK CAP	1
F14-9	GE-01	Trigger X/ CMPT X	B01090601665	BOLT M6 \times 16MM	2
F14-10	GE-01	Trigger X/ CMPT X	64050D010000	FILTER ASSY	1
F14-11	GE-01	Trigger X/ CMPT X	64060D010000	CLIP ASSY	1
F14-12	GE-01	Trigger X/ CMPT X	64004D010000	OIL TANK PIPE	1
F14-13	GE-01	Trigger X/ CMPT X	64008D010000	CONNECTOR	1
F14-14	GE-02	Trigger X/ CMPT X	B17010105003	CLIP STEEL WIRE 10MM	2
F14-15	GE-02	Trigger X/ CMPT X	B17010080003	CLIP STEEL WIRE 8MM	1
F14-16	GE-01	Trigger X/ CMPT X	B16010722501	PIPE $\Phi 7 \times \Phi 11 \times 250$ MM	1
F14-17	GE-01	Trigger X/ CMPT X	64031D010000	OIL TANK CAP	1

F15-01 字字字字 FRONT FENDER FOR TRIGGER X



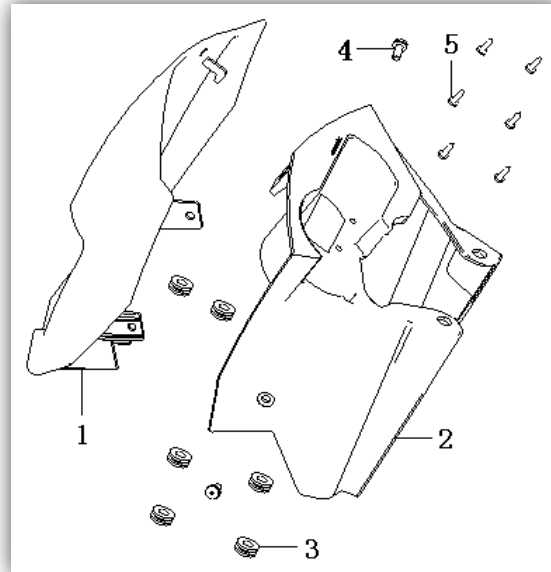
图号	版次	商业名称	零件号	英文描述	数量
NO.	Version	Commercial name	PART NO.	EN DESCRIPTION	QTY
F15-01-1	GE-01	Trigger X	65106D010000	FRONT FENDER II	1
F15-01-2	GE-01	Trigger X	65101D01W500	FRONT FENDER I WHITE W5	1
F15-01-2	GE-01	Trigger X	65101D01GS00	FRONT FENDER I GREEN GS	1
F15-01-2	GE-01	Trigger X	65101D01R800	FRONT FENDER I RED R8	1
F15-01-2	GE-01	Trigger X	65101D01LZ00	FRONT FENDER I BLUE LZ	1
F15-01-3	GE-01	Trigger X	B05004201305	SCREW ST4.2×13MM	1
F15-01-4	GE-01	Trigger X	B01090601665	BOLT M6×16MM	4

F15-02 图图图图 FRONT FENDER FOR TRIGGER CMPT X



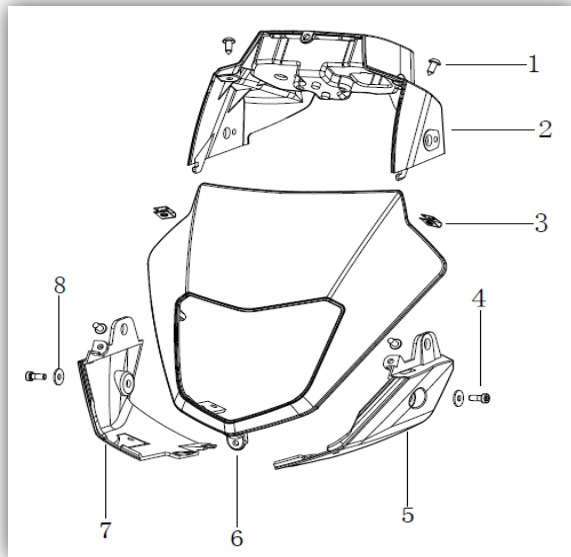
图图	图图	图图图	图图图	图图	图图图
NO.	Version	Commercial name	PART NO.	EN DESCRIPTION	QTY
F15-02-1	GE-01	Trigger CMPT X	65101J69W100	FRONT FENDER	1
F15-02-2	GE-01	Trigger CMPT X	B07030000605	WASHER 6MM	4
F15-02-3	GE-01	Trigger CMPT X	B01090601665	BOLT M6×16MM	4

F16-01 图图图 COWLING FOR TRIGGER X



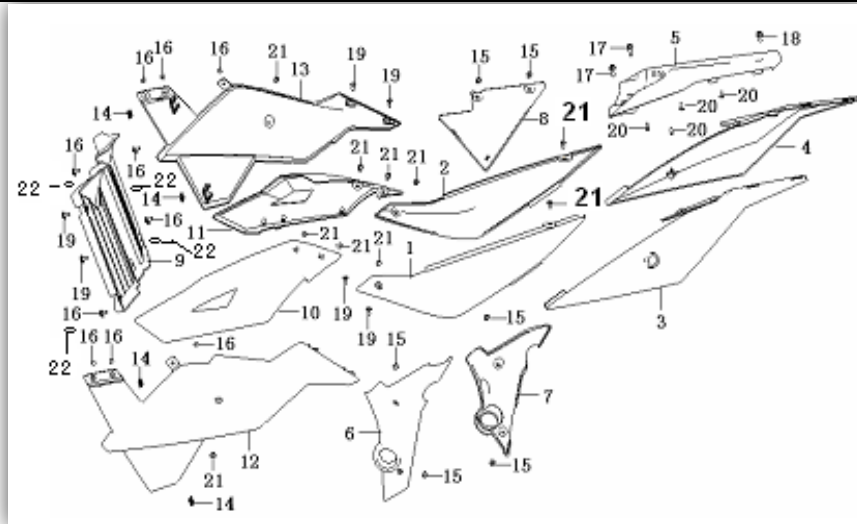
图图	图图	图图图	图图图	图图	图图图
NO.	Version	Commercial name	PART NO.	EN DESCRIPTION	QTY
F16-01-1	GE-01	Trigger X	65501D01W500	COWLING,WHITE W5	1
F16-01-1	GE-01	Trigger X	65501D01R800	COWLING,RED R8	1
F16-01-2	GE-01	Trigger X	65483D010000	BRACKET,SPEEDOMETER	1
F16-01-3	GE-01	Trigger X	65502J000001	CUSHION	6
F16-01-4	GE-01	Trigger X	B13010501205	SCREW M5×12MM	2
F16-01-5	GE-01	Trigger X	B05074001605	SCREW ST4×16MM	6

F16-02 图 图 图 COWLING FOR TRIGGER CMPT X



图号	版本	商业名称	零件号	英文描述	数量
NO.	Version	Commercial name	PART NO.	EN DESCRIPTION	QTY
F16-02-1	GE-01	Trigger CMPT X	B05074001605	SCREW ST4×16MM	6
F16-02-2	GE-01	Trigger CMPT X	65519J690000	bracket	1
F16-02-3	GE-01	Trigger CMPT X	65801T020020	ST4.2	2
F16-02-4	GE-01	Trigger CMPT X	B13010501205	SCREW M5×12MM	2
F16-02-5	GE-01	Trigger CMPT X	65504J690000	BRACKET ASSY., COWLING L	1
F16-02-6	GE-01	Trigger CMPT X	65501J69001Z	COWLING	1
F16-02-7	GE-01	Trigger CMPT X	65505J690000	BRACKET ASSY., COWLING R	1

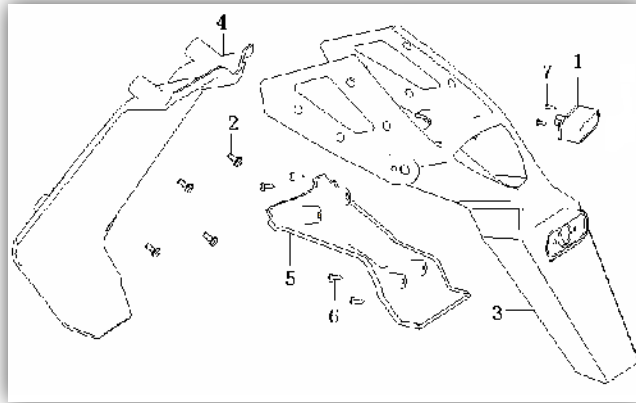
F17 图 图 图 FRAME COVER



图号	版本	商业名称	零件号	英文描述	数量
NO.	Version	Commercial name	PART NO.	EN DESCRIPTION	QTY
F17-1	GE-01	Trigger X/ CMPT X	65601D010000	LEFT COVER	1
F17-2	GE-01	Trigger X/ CMPT X	65602D010000	RIGHT COVER	1
F17-3	GE-01	Trigger X/ CMPT X	65603D01W500	REAR COVER LH WHITE W5	1
F17-3	GE-01	Trigger X/ CMPT X	65603D01W100	REAR COVER LH WHITE W1	1
F17-4	GE-01	Trigger X/ CMPT X	65604D01W500	REAR COVER RH WHITE W5	1
F17-4	GE-01	Trigger X/ CMPT X	65604D01W100	REAR COVER RH WHITE W1	1
F17-5	GE-01	Trigger X/ CMPT X	65605D01W500	JOIN BOARD WHITE W5	1
F17-5	GE-01	Trigger X/ CMPT X	65605D01GS00	JOIN BOARD GREEN GS	1
F17-5	GE-01	Trigger X/ CMPT X	65605D01LZ00	JOIN BOARD BLUE LZ	1
F17-5	GE-01	Trigger X/ CMPT X	65605D01W100	JOIN BOARD WHITE W1	1

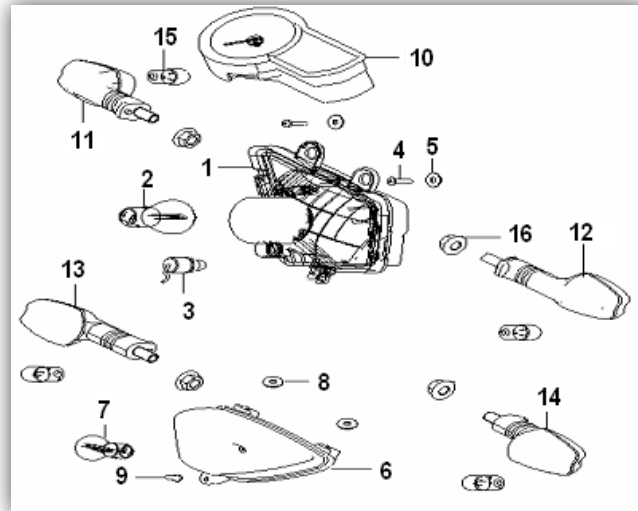
F17-6	GE-01	Trigger X/ CMPT X	65001D010000	FRAME COVER,LH	1
F17-7	GE-01	Trigger X/ CMPT X	65002D010000	FRAME COVER,RH	1
F17-8	GE-01	Trigger X/ CMPT X	65005D010000	COVER,RH	1
F17-9	GE-01	Trigger X/ CMPT X	65502D010000	BELOW COWLING	1
F17-10	GE-01	Trigger X/ CMPT X	65671D01W500	FRONT UP COVER,LH WHITE W5	1
F17-10	GE-01	Trigger X/ CMPT X	65671D01GS00	FRONT UP COVER,LH GREEN GS	1
F17-10	GE-01	Trigger X/ CMPT X	65671D01W100	FRONT UP COVER,LH,WHITE W1	1
F17-10	GE-01	Trigger X/ CMPT X	65671D01BH00	FRONT UP COVER,LH BLACK BH	1
F17-10	GE-01	Trigger X/ CMPT X	65671D01LZ00	FRONT UP COVER,LH BLUE LZ	1
F17-11	GE-01	Trigger X/ CMPT X	65681D01W500	FRONT UP COVER,RH WHITE W5	1
F17-11	GE-01	Trigger X/ CMPT X	65681D01GS00	FRONT UP COVER,RH GREEN GS	1
F17-11	GE-01	Trigger X/ CMPT X	65681D01BH00	FRONT UP COVER,RH BLACK BH	1
F17-11	GE-01	Trigger X/ CMPT X	65681D01W100	FRONT UP COVER,RH WHITE W1	1
F17-11	GE-01	Trigger X/ CMPT X	65681D01LZ00	FRONT UP COVER,RH BLUE LZ	1
F17-12	GE-01	Trigger X/ CMPT X	65672D01BH00	FORNT DOWN COVER,LH BLACK BH	1
F17-12	GE-01	Trigger X/ CMPT X	65672D01W500	FORNT DOWN COVER,LH WHITE W5	1
F17-13	GE-01	Trigger X/ CMPT X	65682D01BH00	FRONT DOWN COVER,RH BLACK BH	1
F17-13	GE-01	Trigger X/ CMPT X	65682D01W500	FRONT DOWN COVER,RH WHITE W5	1
F17-14	GE-02	Trigger X/ CMPT X	08051T020050	NUT	4
F17-15	GE-01	Trigger X/ CMPT X	B13010501205	SCREW M5×12MM	6
F17-16	GE-01	Trigger X/ CMPT X	B05004201305	SCREW ST4.2×13MM	10
F17-17	GE-01	Trigger X/ CMPT X	B01090801665	BOLT M8×16MM	2
F17-18	GE-01	Trigger X/ CMPT X	B01090601265	BOLT M6×12MM	1
F17-19	GE-01	Trigger X/ CMPT X	B13060501005	SCREW M5×10MM	6
F17-20	GE-02	Trigger X/ CMPT X	B05004201015	SCREW ST4.2×9.5MM	4
F17-21	GE-01	Trigger X/ CMPT X	B13060501005	SCREW M5×10MM	10
F17-22	GE-02	Trigger X/ CMPT X	B07020000505	WASHER 5MM	4

F18 警用装备 REAR FENDER



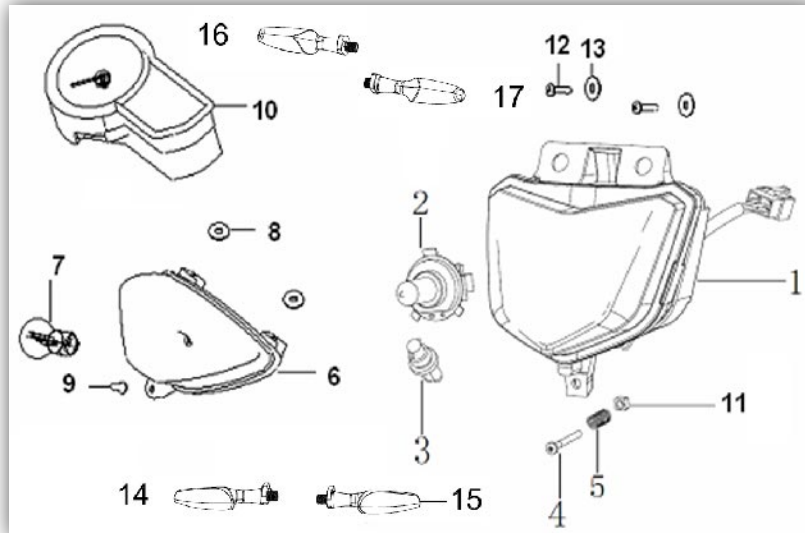
序号	版本	商业名称	零件号	英文描述	数量
NO.	Version	Commercial name	PART NO.	EN DESCRIPTION	QTY
F18-1	GE-01	Trigger X/ CMPT X	82900D010000	LAMP ,LICENSE PLATE	1
F18-2	GE-01	Trigger X/ CMPT X	B13010501205	SCREW M5×12MM	1
F18-3	GE-01	Trigger X/ CMPT X	65701D010000	REAR FENDER I	1
F18-4	GE-01	Trigger X/ CMPT X	65761D010000	FENDER,REAR	1
F18-5	GE-01	Trigger X/ CMPT X	65709D010000	REAR FENDER II	1
F18-6	GE-01	Trigger X/ CMPT X	B05004001005	SCREW ST4×10MM	4
F18-7	GE-01	Trigger X/ CMPT X	B05004201305	SCREW ST4.2×13MM	2

F19-01 図字 | ELECTRIC | FOR TRIGGER X



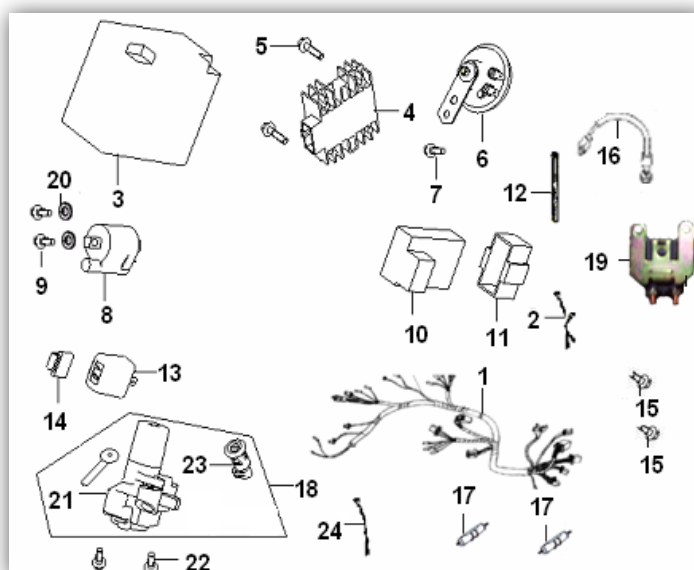
図字 NO.	図字 Version	図字 Commercial name	図字 PART NO.	図字 EN DESCRIPTION	図字 QTY
F19-01-1	GE-01	Trigger X	8000D010000	HEAD LAMP ASSY.	1
F19-01-2	GE-01	Trigger X	B24010620000	BULB 12V/35W	1
F19-01-3	GE-01	Trigger X	B24013320000	BULB 12V/5W	1
F19-01-4	GE-01	Trigger X	B05004201605	SCREW ST4.2×16MM	2
F19-01-5	GE-01	Trigger X	B07020000505	WASHER 5MM	2
F19-01-6	GE-01	Trigger X	82000D010000	TAIL LAMP ASSY.	1
F19-01-7	GE-01	Trigger X	B24011820000	BULB, TAIL LIGHT 12V21W/5W	1
F19-01-8	GE-01	Trigger X	B07020000403	WASHER 4MM	2
F19-01-9	GE-01	Trigger X	B05004201305	SCREW ST4.2×13MM	1
F19-01-10	GE-01	Trigger X	7000D010001	SPEEDOMETER ASSY.	1
F19-01-11	GE-01	Trigger X	81100D010000	LAMP ASSY., FR. TURN SIGNAL, L.	1
F19-01-12	GE-01	Trigger X	81300D010000	LAMP ASSY., FR. TURN SIGNAL, R.	1
F19-01-13	GE-01	Trigger X	81500D010000	LAMP ASSY., RR. TURN SIGNAL, L.	1
F19-01-14	GE-01	Trigger X	81700D010000	LAMP ASSY., RR. TURN SIGNAL, R.	1
F19-01-15	GE-01	Trigger X	B24012420000	BULB, 12V/10W	4
F19-01-16	GE-01	Trigger X	B04071000053	NUT M10MM	4

F19-02 图例 I ELECTRIC I FOR TRIGGER CMPT X



图号	版本	商业名称	零件号	英文描述	数量
NO.	Version	Commercial name	PART NO.	EN DESCRIPTION	QTY
F19-02-1	GE-01	Trigger CMPT X	80000J690000	HEAD LAMP ASSY.	1
F19-02-2	GE-01	Trigger CMPT X	B24010620000	BULB 12V/35W	1
F19-02-3	GE-01	Trigger CMPT X	B24013320000	BULB 12V/5W	1
F19-02-4	GE-01	Trigger CMPT X	B02000404023	OUT 4x40MM	1
F19-02-5	GE-01	Trigger CMPT X	80035D010000	SPRING	1
F19-02-6	GE-01	Trigger CMPT X	82000D010000	TAIL LAMP ASSY.	1
F19-02-7	GE-01	Trigger CMPT X	B24011820000	BULB, TAIL LIGHT 12V21W/5W	1
F19-02-8	GE-01	Trigger CMPT X	B07020000405	WASHER 4MM	2
F19-02-9	GE-01	Trigger CMPT X	B05004201305	SCREW ST4.2x13MM	1
F19-02-10	GE-01	Trigger CMPT X	70000D010004	SPEEDOMETER ASSY.	1
F19-02-11	GE-01	Trigger CMPT X	B04210600061	NUT M6MM	1
F19-02-12	GE-01	Trigger CMPT X	B05004201605	SCREW ST4.2x16MM	2
F19-02-13	GE-01	Trigger CMPT X	B07020000505	WASHER 5MM	2
F19-02-14	GE-01	Trigger CMPT X	81300J690000	TURN SIGNAL, FR., RH.	1
F19-02-15	GE-01	Trigger CMPT X	81100J690000	TURN SIGNAL, FR., LH.	1
F19-02-16	GE-01	Trigger CMPT X	81700J690000	TURN SIGNAL, RR., RH.	1
F19-02-17	GE-01	Trigger CMPT X	81500J690000	TURN SIGNAL, RR., LH.	1

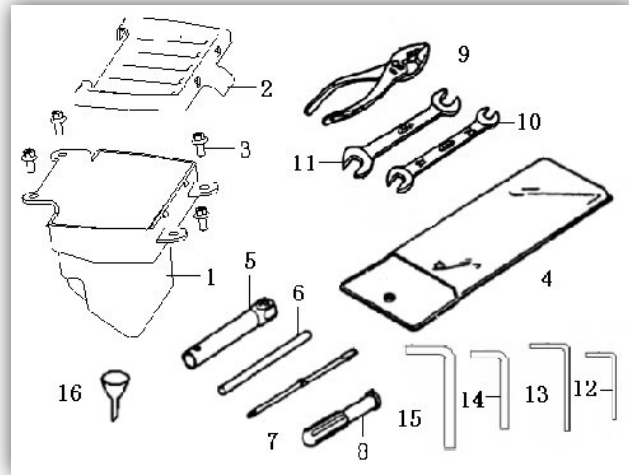
F20 图例 II ELECTRIC II



图号	版本	商业名称	零件号	英文描述	数量
----	----	------	-----	------	----

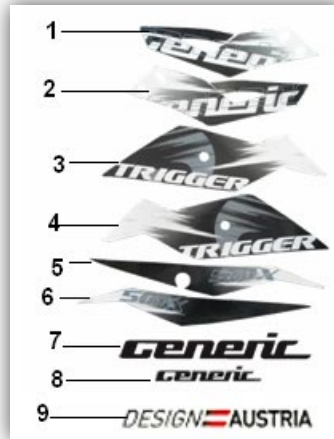
NO.	Version	Commercial name	PART NO.	EN DESCRIPTION	QTY
F20-1	GE-01	Trigger X	92000D010003	HARNESS, WIRING	1
F20-1	GE-01	Trigger CMPT X	92000D010005	HARNESS, WIRING	1
F20-2	GE-01	Trigger X/ CMPT X	96900D010000	WIRE, EARTH	1
F20-3	GE-01	Trigger X/ CMPT X	96100D010000	BATTERY	1
F20-4	GE-02	Trigger X/ CMPT X	299082140000	RECTIFIER	1
F20-5	GE-01	Trigger X/ CMPT X	B01090602565	BOLT M6×25MM	2
F20-6	GE-02	Trigger X/ CMPT X	95100G120001	HORN ASSY.	1
F20-7	GE-01	Trigger X/ CMPT X	B01090601265	BOLT M6×12MM	1
F20-8	GE-02	Trigger X/ CMPT X	96200D010000	COIL ASSY.:IGNITION	1
F20-9	GE-01	Trigger X/ CMPT X	B01090501665	BOLT M5×16MM	2
F20-10	GE-01	Trigger X/ CMPT X	299051170002	C.D.I	1
F20-11	GE-02	Trigger X/ CMPT X	96007J040000	COVER:C.D.I	1
F20-12	GE-01	Trigger X/ CMPT X	96003D010000	BAND 3×80MM	2
F20-13	GE-02	Trigger X	96400K010001	RELAY, TURN SIGNAL	1
F20-13	GE-01	Trigger CMPT X	96400J690000	RELAY, TURN SIGNAL	1
F20-14	GE-01	Trigger X/ CMPT X	96401B030000	COVER:RELAY, TURN SIGNAL	1
F20-15	GE-01	Trigger X/ CMPT X	B01090601065	BOLT M6×10	2
F20-16	GE-01	Trigger X/ CMPT X	92200J070000	ELECTRIC CABLE	1
F20-17	GE-01	Trigger X/ CMPT X	96830J000000	FUSE	2
F20-18	GE-02	Trigger X/ CMPT X	88000D010003	LOCK ASSY.	1
F20-19	GE-01	Trigger X/ CMPT X	94100J000002	RELAY, KICK STARTER	1
F20-20	GE-01	Trigger X/ CMPT X	B07030000565	WASHER 5MM	2
F20-21	GE-01	Trigger X/ CMPT X	88100D010000	LOCK ASSY.	1
F20-22	GE-01	Trigger X/ CMPT X	B02050602065	SCREW M6×20MM	2
F20-23	GE-01	Trigger X/ CMPT X	88800D010000	LOCK ASSY:SEAT	1
F20-24	GE-01	Trigger X/ CMPT X	58900D010000	CABLE ASSY:SEAT	1

F21 TOOL KIT



NO.	Version	Commercial name	PART NO.	EN DESCRIPTION	QTY
F21-1	GE-01	Trigger X/ CMPT X	02131D010000	TOOL KIT	1
F21-2	GE-01	Trigger X/ CMPT X	02132D010000	COVER TOOL KIT	1
F21-3	GE-01	Trigger X/ CMPT X	B01090601265	BOLT M6×12MM	4
F21-4	GE-02	Trigger X/ CMPT X	02110J000000	TOOL BAG	1
F21-5	GE-01	Trigger X/ CMPT X	02102B910000	SOCKET, SPARK PLUG	1
F21-6	GE-01	Trigger X/ CMPT X	02101B910000	SPANNER, SPARK PLUG	1
F21-7	GE-01	Trigger X/ CMPT X	02103B910000	SCREW DRIVER, DOUBLE-HEADED	1
F21-8	GE-01	Trigger X/ CMPT X	02104B910000	HANDLE	1
F21-9	GE-01	Trigger X/ CMPT X	02112B920000	PLIERS	1
F21-10	GE-01	Trigger X/ CMPT X	B20011001203	DOUBLE-ENDED SPANNER10-12MM	1
F21-11	GE-01	Trigger X/ CMPT X	B20011301603	DOUBLE-ENDED SPANNER13-16MM	1
F21-12	GE-01	Trigger X/ CMPT X	B20020400003	HEXAGON RING WRENCH 4MM	1
F21-13	GE-01	Trigger X/ CMPT X	B20020500003	HEXAGON RING WRENCH 5MM	1
F21-14	GE-01	Trigger X/ CMPT X	B20020600003	HEXAGON RING WRENCH 6MM	1
F21-15	GE-01	Trigger X/ CMPT X	B20020800003	HEXAGON RING WRENCH 8MM	1
F21-16	GE-01	Trigger X/ CMPT X	02114B910000	FILTER, OIL TANK	1

F22-01 文字 STICKER



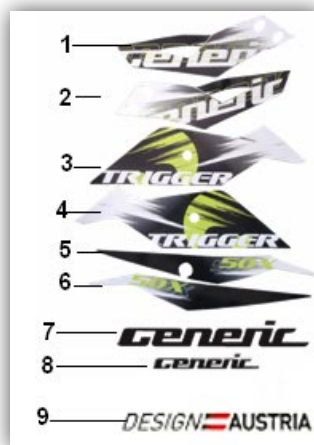
图号 NO.	版本 Version	商业名称 Commercial name	零件号 PART NO.	描述 EN DESCRIPTION	数量 QTY
F22-01-1	GE-01	Trigger X	05515D01W504	STICKER,FRONT SIDE COVER UPER LH.	1
F22-01-2	GE-01	Trigger X	05516D01W504	STICKER,FRONT SIDE COVER UPER RH.	1
F22-01-3	GE-01	Trigger X	05513D01W504	STICKER,FRONT COVER BELOW LH.	1
F22-01-4	GE-01	Trigger X	05514D01W504	STICKER,FRONT COVER BELOW RH.	1
F22-01-5	GE-01	Trigger X	05511D01W504	STICKER,REAR SIDE COVER LH.	1
F22-01-6	GE-01	Trigger X	05512D01W504	STICKER,REAR SIDE COVER RH.	1
F22-01-7	GE-01	Trigger X	05517D010004	STICKER	2
F22-01-8	GE-01	Trigger X	05508D010004	STICKER,COWLING	1
F22-01-9	GE-01	Trigger X	05572B30000C	STICKER,REAR CARRIER	1

F22-02 文字 STICKER



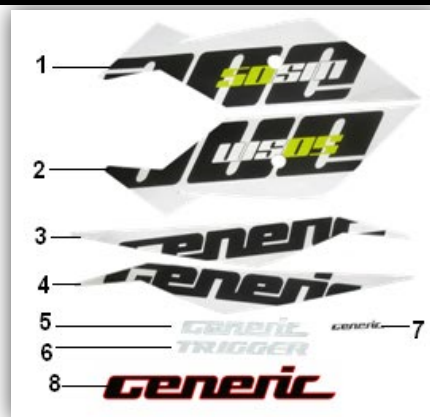
NO.	Version	Commercial name	PART NO.	EN DESCRIPTION	QTY
F22-02-1	GE-01	Trigger X	05515D01LZ04	STICKER,FRONT SIDE COVER UPER LH.	1
F22-02-2	GE-01	Trigger X	05516D01LZ04	STICKER,FRONT SIDE COVER UPER RH.	1
F22-02-3	GE-01	Trigger X	05513D01LZ04	STICKER,FRONT COVER BELOW LH.	1
F22-02-4	GE-01	Trigger X	05514D01LZ04	STICKER,FRONT COVER BELOW RH.	1
F22-02-5	GE-01	Trigger X	05511D01LZ04	STICKER,REAR SIDE COVER LH.	1
F22-02-6	GE-01	Trigger X	05512D01LZ04	STICKER,REAR SIDE COVER RH.	1
F22-02-7	GE-01	Trigger X	05517D010004	STICKER	2
F22-02-8	GE-01	Trigger X	05508D010004	STICKER,COWLING	1
F22-02-9	GE-01	Trigger X	05511B30000C	STICKER,SIDE COVER	1

F22-03 字 STICKER



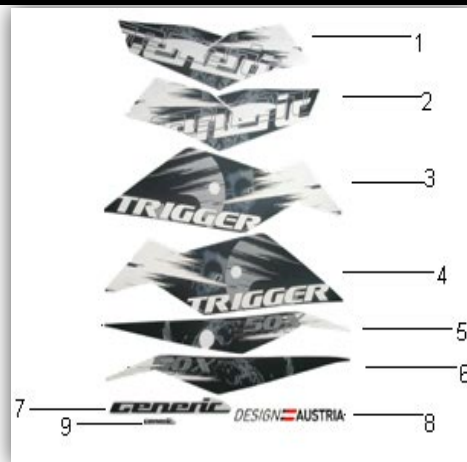
NO.	Version	Commercial name	PART NO.	EN DESCRIPTION	QTY
F22-03-1	GE-01	Trigger X	05515D01GS04	STICKER,FRONT SIDE COVER UPER LH.	1
F22-03-2	GE-01	Trigger X	05516D01GS04	STICKER,FRONT SIDE COVER UPER RH.	1
F22-03-3	GE-01	Trigger X	05513D01GS04	STICKER,FRONT COVER BELOW LH.	1
F22-03-4	GE-01	Trigger X	05514D01GS04	STICKER,FRONT COVER BELOW RH.	1
F22-03-5	GE-01	Trigger X	05511D01GS04	STICKER,REAR SIDE COVER LH.	1
F22-03-6	GE-01	Trigger X	05512D01GS04	STICKER,REAR SIDE COVER RH.	1
F22-03-7	GE-01	Trigger X	05517D010004	STICKER	2
F22-03-8	GE-01	Trigger X	05508D010004	STICKER,COWLING	1
F22-03-9	GE-01	Trigger X	05572B30000C	STICKER,REAR CARRIER	1

F22-04 字 STICKER



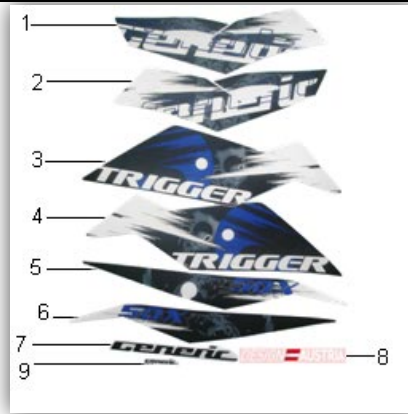
NO.	Version	Commercial name	PART NO.	EN DESCRIPTION	QTY
F22-04-1	GE-01	Trigger X	05514D010006	STICKER:FRONT SIDE COVER LOWER RIGHT	1
F22-04-2	GE-01	Trigger X	05513D010006	STICKER:FRONT SIDE COVER LOWER LEFT	1
F22-04-3	GE-01	Trigger X	05515D010006	STICKER:BACK SIDE COVER LEFT	1
F22-04-4	GE-01	Trigger X	05516D010006	STICKER:BACK SIDE COVER RIGHT	1
F22-04-5	GE-01	Trigger X	05517D010006	STICKER:FRONT ABSORBER	2
F22-04-6	GE-01	Trigger X	05511D010006	STICKER:UPPER SIDE COVER	2
F22-04-7	GE-01	Trigger X	05521D010006	STICKER:COWLING	1
F22-04-8	GE-01	Trigger X	05582D010006	STICKER,SWIMMING ARM	2

F22-05 文字 STICKER



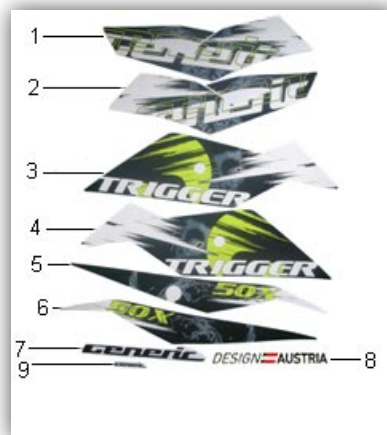
図号 NO.	バージョン Version	商名 Commercial name	部品番号 PART NO.	説明 EN DESCRIPTION	数量 QTY
F22-05-1	GE-01	Trigger X	05515D01W508	STICKER;FRONT SIDE COVER UPER LH.	1
F22-05-2	GE-01	Trigger X	05516D01W508	STICKER;FRONT SIDE COVER UPER RH	1
F22-05-3	GE-01	Trigger X	05513D01W508	STICKER;FRONT SIDE COVER LOWER LEFT	1
F22-05-4	GE-01	Trigger X	05514D01W508	STICKER;FRONT SIDE COVER LOWER RIGHT	1
F22-05-5	GE-01	Trigger X	05511D01W508	STICKER;BACK SIDE COVER LEFT	1
F22-05-6	GE-01	Trigger X	05512D01W508	STICKER;BACK SIDE COVER RIGHT	1
F22-05-7	GE-01	Trigger X	05517D010008	STICKER;FRONT ABSORBER	2
F22-05-8	GE-01	Trigger X	05572B30000C	STICKER;REAR CARRIER	1
F22-05-9	GE-01	Trigger X	05508D010008	STICKER;COWLING	1

F22-06 字 STICKER



NO.	Version	Commercial name	PART NO.	EN DESCRIPTION	QTY
F22-06-1	GE-01	Trigger X	05515D01LZ08	STICKER,FRONT SIDE COVER UPER LH.	1
F22-06-2	GE-01	Trigger X	05516D01LZ08	STICKER,FRONT SIDE COVER UPER RH	1
F22-06-3	GE-01	Trigger X	05513D01LZ08	STICKER,FRONT SIDE COVER LOWER LEFT	1
F22-06-4	GE-01	Trigger X	05514D01LZ08	STICKER,FRONT SIDE COVER LOWER RIGHT	1
F22-06-5	GE-01	Trigger X	05511D01LZ08	STICKER,BACK SIDE COVER LEFT	1
F22-06-6	GE-01	Trigger X	05512D01LZ08	STICKER,BACK SIDE COVER RIGHT	1
F22-06-7	GE-01	Trigger X	05517D010008	STICKER,FRONT ABSORBER	2
F22-06-8	GE-01	Trigger X	05572B30000C	STICKER,REAR CARRIER	1
F22-06-9	GE-01	Trigger X	05508D010008	STICKER,COWLING	1

F22-07 字 STICKER



NO.	Version	Commercial name	PART NO.	EN DESCRIPTION	QTY
F22-07-1	GE-01	Trigger X	05515D01GS08	STICKER;FRONT SIDE COVER UPER LH.	1
F22-07-2	GE-01	Trigger X	05516D01GS08	STICKER;FRONT SIDE COVER UPER RH	1
F22-07-3	GE-01	Trigger X	05513D01GS08	STICKER;FRONT SIDE COVER LOWER LEFT	1
F22-07-4	GE-01	Trigger X	05514D01GS08	STICKER;FRONT SIDE COVER LOWER RIGHT	1
F22-07-5	GE-01	Trigger X	05511D01GS08	STICKER;BACK SIDE COVER LEFT	1
F22-07-6	GE-01	Trigger X	05512D01GS08	STICKER;BACK SIDE COVER RIGHT	1
F22-07-7	GE-01	Trigger X	05517D010008	STICKER;FRONT ABSORBER	2
F22-07-8	GE-01	Trigger X	05572B30000C	STICKER;REAR CARRIER	1
F22-07-9	GE-01	Trigger X	05508D010008	STICKER;COWLING	1

F22-08 字 STICKER



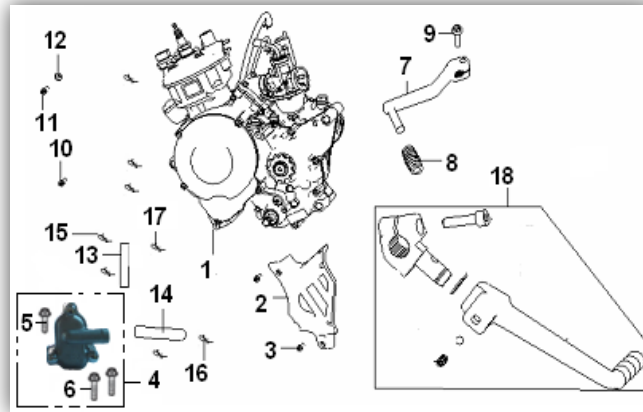
NO.	Version	Commercial name	PART NO.	EN DESCRIPTION	QTY
F22-08-1	GE-01	Trigger X	05515D010002	DECAL FRAME COVER F.L.U	1
F22-08-2	GE-01	Trigger X	05513D010002	DECAL FRAME COVER F.L.D	1
F22-08-3	GE-01	Trigger X	05512D010002	DECAL FRAME COVER R.R	1
F22-08-4	GE-01	Trigger X	05517D010002	DECAL COVER F.L. FORK ASSY.	2
F22-08-5	GE-01	Trigger X	05516D010002	DECAL FRAME COVER F.R.U	1
F22-08-6	GE-01	Trigger X	05514D010002	DECAL FRAME COVER F.R.D	1
F22-08-7	GE-01	Trigger X	05510D010002	DECAL FRONT MUDGUARD	1
F22-08-8	GE-01	Trigger X	05511D010002	DECAL FRAME COVER R.L	1
F22-08-9	GE-01	Trigger X	05572B30000C	STICKER,REAR CARRIER	1

F22-09 文字 STICKER



图号 NO.	版次 Version	商业名称 Commercial name	零件号 PART NO.	英文描述 EN DESCRIPTION	数量 QTY
F22-09-1	GE-01	Trigger CMPT X	05517D010002	STICKER FRONT SUSPENSION	2
F22-09-2	GE-01	Trigger CMPT X	05514D010007	STICKER FRONT SIDE COVER FRONT LH LOWER	1
F22-09-3	GE-01	Trigger CMPT X	05513D010007	STICKER FRONT SIDE COVER FRONT LH LOWER	1
F22-09-4	GE-01	Trigger CMPT X	05512D030007	STICKER SIDE COVER REAR RH	1
F22-09-5	GE-01	Trigger CMPT X	05511D030007	STICKER SIDE COVER REAR LH	1
F22-09-6	GE-01	Trigger CMPT X	05515D010007	STICKER FRONT SIDE COVER FRONT LH UPPER	1
F22-09-7	GE-01	Trigger CMPT X	05516D010007	STICKER FRONT SIDE COVER RH UPER	1
F22-09-8	GE-01	Trigger CMPT X	05521D010007	cowling STICKER	1
F22-09-9	GE-01	Trigger CMPT X	57001D010000	PLATE, LABEL	1
F22-09-10	GE-01	Trigger CMPT X	57002D030000	ANTI-TAMPERING PLATE	1
F22-09-11	GE-01	Trigger CMPT X	05572B30000C	STICKER rr. arm rest	1

F23 ENGINE ATTACHMENT



NO.	Version	Commercial name	PART NO.	EN DESCRIPTION	QTY
F23-1	GE-01	Trigger X / CMPT X	000002140010	ENGIN ASSY	1
F23-2	GE-01	Trigger X / CMPT X	162012140010	SIDE COVER L,R	1
F23-3	GE-01	Trigger X / CMPT X	B02050502064	SCREW M5×20MM	2
F23-4	GE-01	Trigger X / CMPT X	49800D010000	UNILATERALISM VALVE ASSY	1
F23-5	GE-01	Trigger X / CMPT X	B01090603065	BOLT M6×30MM	1
F23-6	GE-01	Trigger X / CMPT X	B01090604065	BOLT M6×40MM	2
F23-7	GE-01	Trigger X / CMPT X	08383D010000	ROCKERARM,LEVEL ASSY	1
F23-8	GE-01	Trigger X / CMPT X	08372D010000	RUBBER,GEAR SHIFT	1
F23-9	GE-01	Trigger X / CMPT X	B01090602565	BOLT M6×25MM	1
F23-10	GE-01	Trigger X / CMPT X	B01090601665	BOLT M6×16MM	1
F23-11	GE-01	Trigger X / CMPT X	B01090601265	BOLT M6×12MM	1
F23-12	GE-01	Trigger X / CMPT X	B07090000605	WASHER 6MM	1
F23-13	GE-01	Trigger X / CMPT X	49851D010000	PIPE	1
F23-14	GE-01	Trigger X / CMPT X	B16010945001	PIPE Φ9×Φ17×500	1
F23-15	GE-01	Trigger X / CMPT X	49804D010000	CLIP 17.5MM	2
F23-16	GE-01	Trigger X / CMPT X	49805D010000	CLIP 16.5MM	2
F23-17	GE-01	Trigger X / CMPT X	08060B450000	CLIP 16-25MM	4
F23-18	GE-01	Trigger X / CMPT X	08350D010000	LEVER ASSY, KICK STARTER ASSY	1