



GENERIC



ONYX 50

DESIGN  **AUSTRIA**

Reservedele



SCANDINAVIAN MACHINERY IMPORT ApS

Holtvej 8-10, Høruphav, 6470 Sydals

Telefon: +45 73 15 11 00

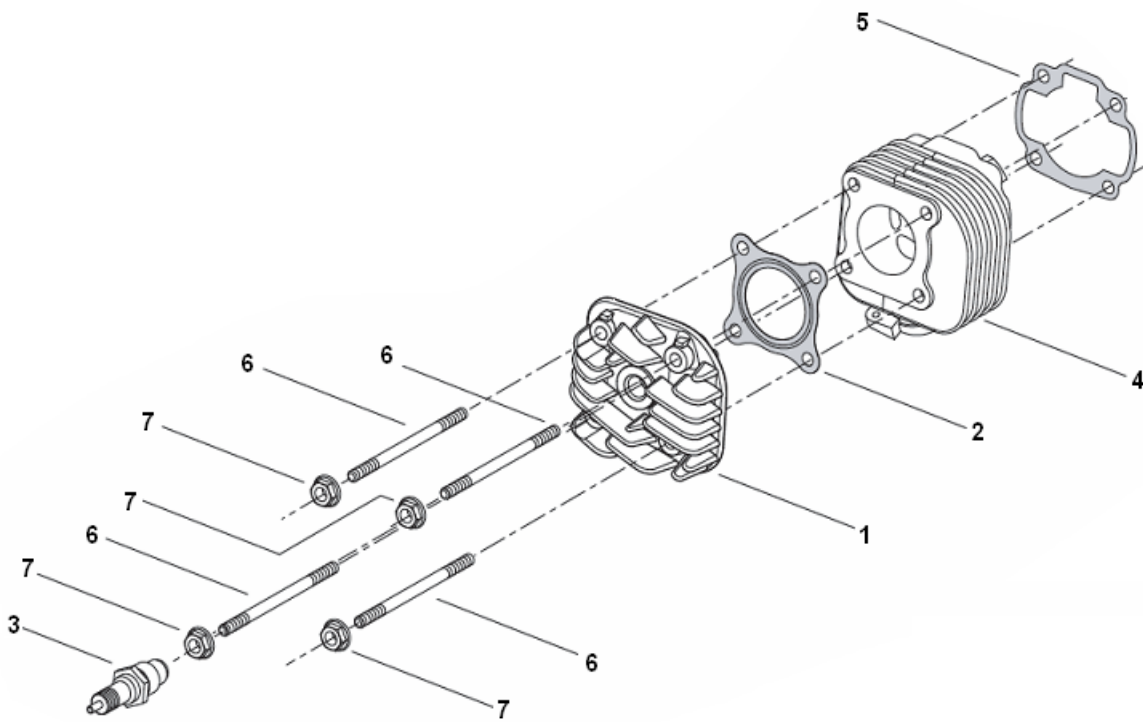
Fax: +45 73 15 11 01

info@scanmi.dk · www.scanmi.dk

CVR: 27 73 31 07

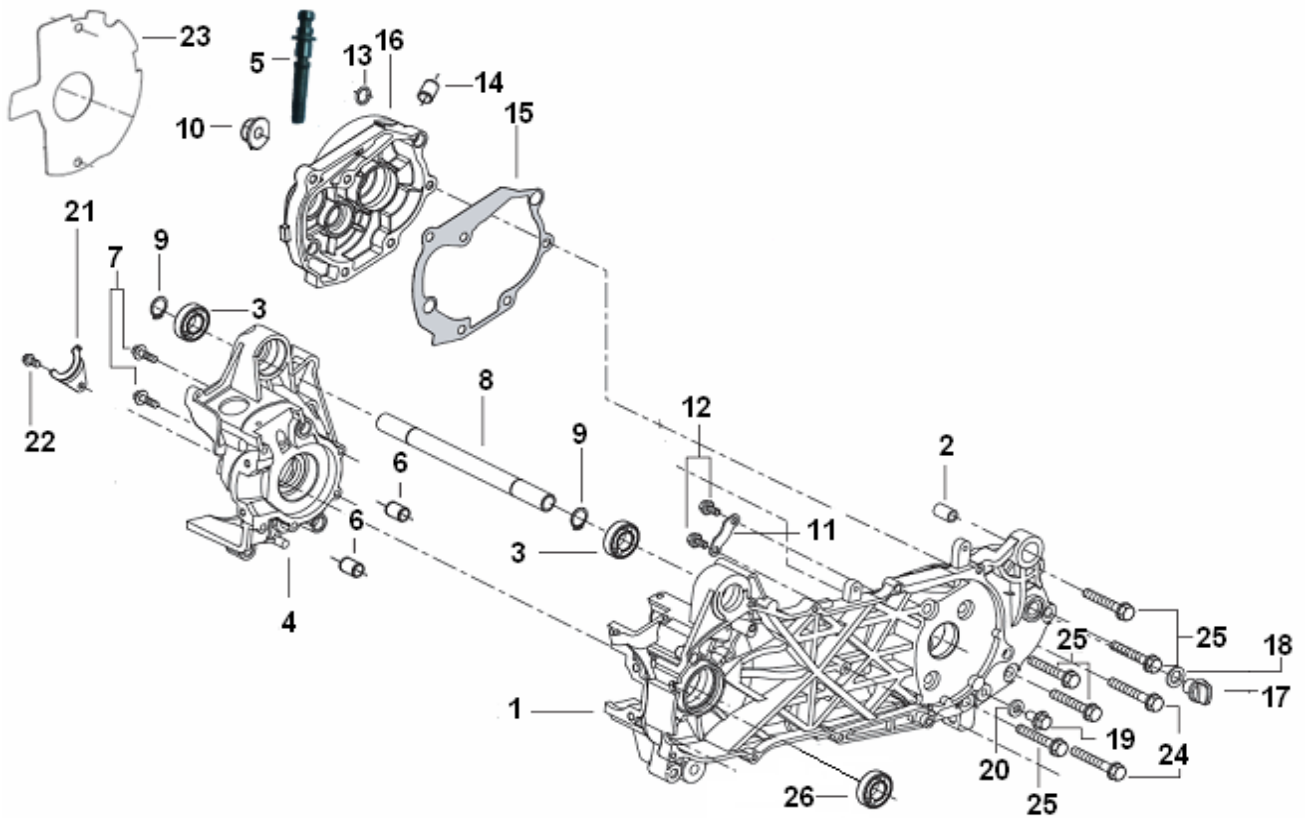
www.genericmotor.dk

Juli 2011



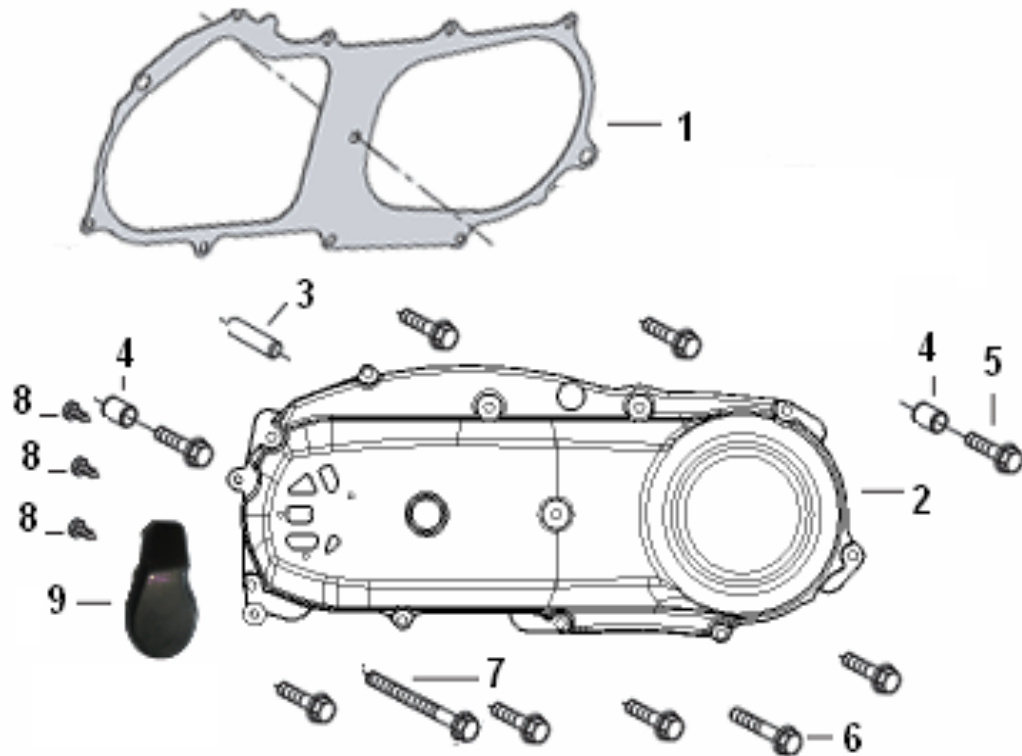
E01 CYLINDER HEAD ASSY

NO.	Part No.		QTY.
1	30701B01F000	CYLINDER HEAD COMP	1
2	30507B01F000	GASKET, CYLINDER HEAD	1
3	201204.013000	SPARK PLUG BR8HSA	1
4	27101B01F00A	CYLINDER COMP	1
5	204204.001000	GASKET, CYLINDER	1
6	26107B01F910	BOLT , STUD 7 X 107	4
7	304290700062	NUT	4



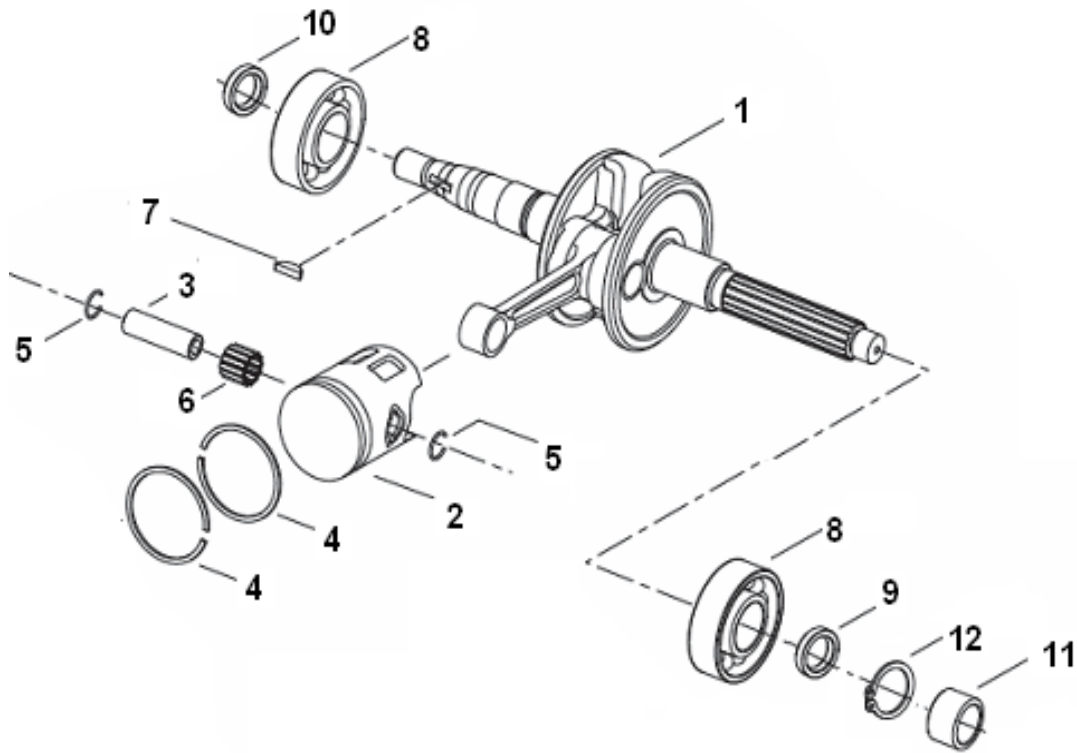
E02 CRANKCASE ASSY

1	206200.045000	CRANKCASE,LH	1
2	26108G02F000	BUSH , REAR SHOCK ABSORBER	1
3	B12016600300	BEARING 6003-2RS	2
4	26211B09F001	CRANKCASE,RH	1
5	150051070000	PIN , PIVOT	1
6	26123G02F000	PIN , DOWEL 12X16	2
7	301310603565	BOLT M6X35	6
8	206400.006000	AXLE , ENGINE MOUNT	1
9	B08010001700	CIRCLIP	2
10	B04070812553	NUT , FLANGE M8	1
11	26214B09F000	HOLDER , BEARING	1
12	B01070601263	SCREW , PAN HEAD M6X12	2
13	14222J01F000	O-RING	1
14	26123G02F000	PIN , DOWEL 12X16	2
15	214201.004000	GASKET, TRANSMISSION CASE	1
16	240021070002	CASE COMP, TRANSMISSION	1
17	206407.004081	PLUG , OIL	1
18	26102G02F000	O RING	1
19	301310801605	BOLT , FLANGE M8X16	1
20	18105H03F000	GASKET , WASHER 8	1
21	26214G02F910	HOLDER , OIL SEAL	1
22	301310601263	SCREW , PAN HEAD M6X12	1
23	206321.001000	GASKET , CRANKCASE , RH	1
24	301310805565	BOLT M8X55	2
25	301310805065	BOLT M8X50	5
26	207234.001000	BOSS , GEAR	1



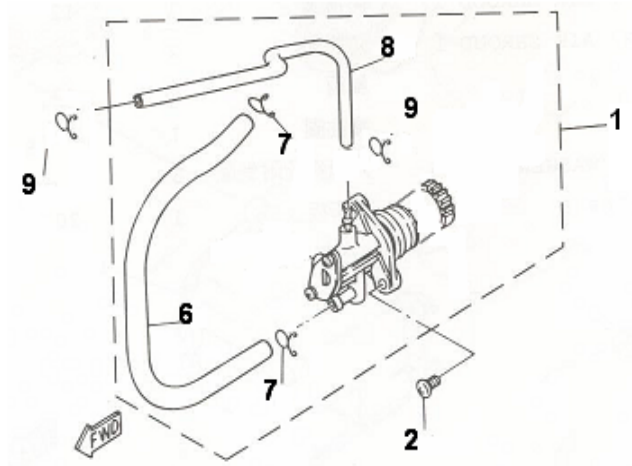
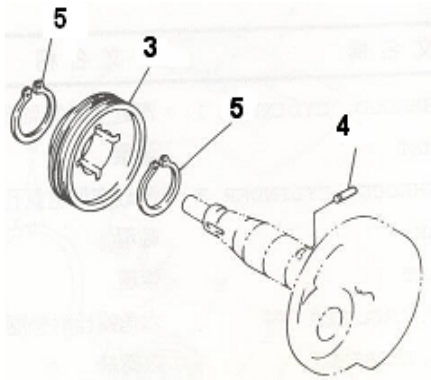
E03 SIDE COVER ASSY

NO.	Part No.		QTY.
1	207208.017000	GASKET,L CRANKCASE COVER	1
2	207200.074082	L CRANKCASE COVER	1
3	26128G02F000	SHAFT	1
4	26208J01F000	PIN , DOWEL	2
5	301310602565	BOLT , FLANGE M6X25	8
6	301310603565	BOLT , FLANGE M6X35	1
7	301310606565	BOLT , FLANGE M6X65	1
8	3052035014F5	SCREW ST3.5X14	3
9	160021070004	AIR DUCT-INLET	1



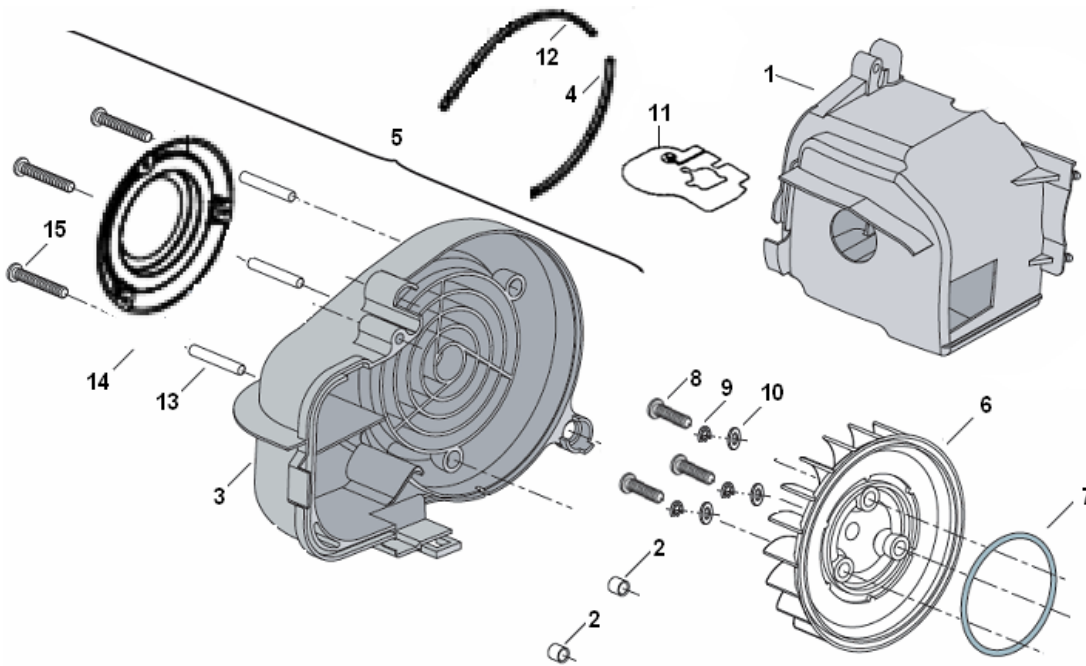
E04 PISTON CRANKSHAFT CONNECTING ROD ASSY

NO.	Part No.		QTY.
1	208100.022000	CRANKSHAFT ASSY	1
2	15100B01F00B	PISTON	1
3	15105B16F000	PIN , PISTON	1
4	15103B01F000	PISTON RING SET	2
5	15111G02F000	CIRCLIP	2
6	15110B16F000	NEEDLE BEARING	1
7	15101B01F000	WOODRUFF KEY	1
8	B12016620453	BEARING 6204/P53	2
9	15213G02F000	SEAL , OIL 20X42X8	1
10	26215G02F000	SEAL , OIL 20X30X6	1
11	15214G02F000	COLLAR	1
12	17308G02F000	CIRCLIP	1



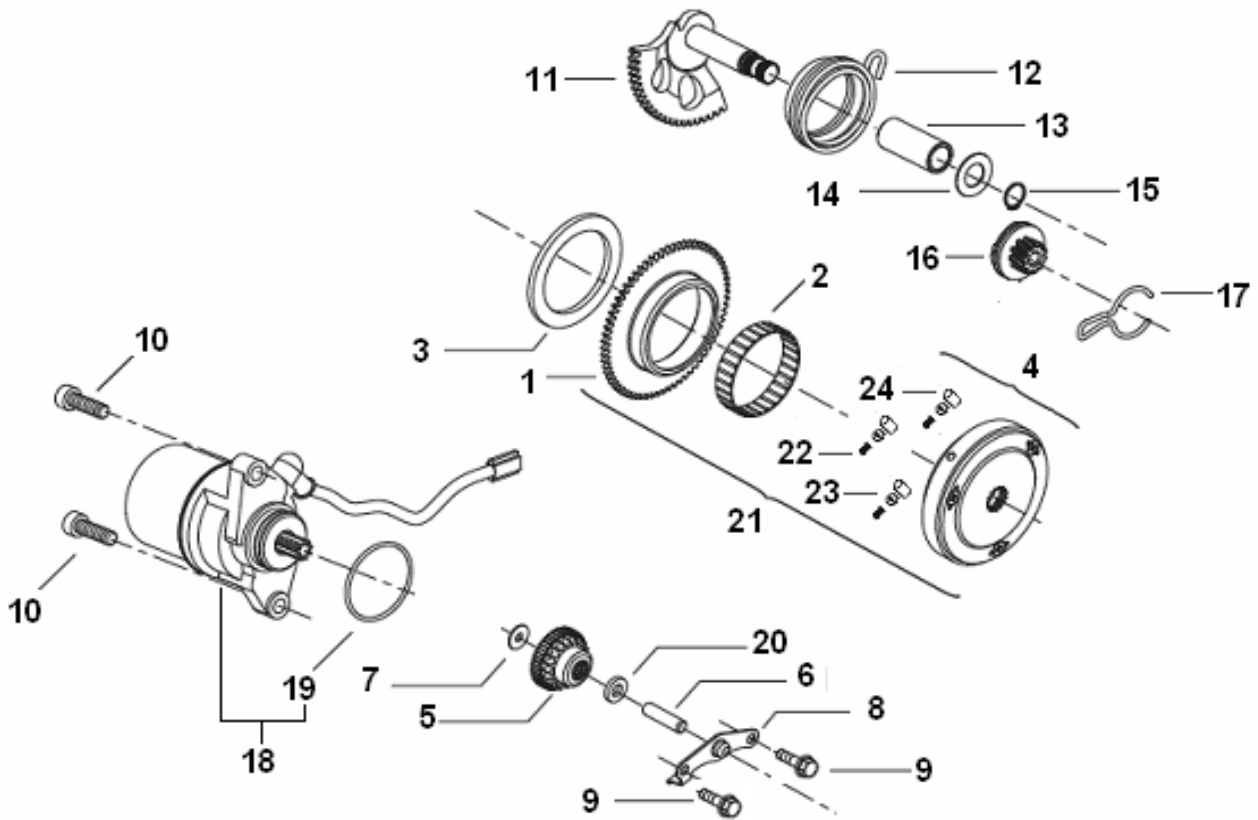
E05 OIL PUMP ASSY

NO.	Part No.		QTY.
1	269011070040	OIL PUMP ASSY	1
2	B02040501463	SCREW M5X14	2
3	15211G02F000	GEAR , PUMP DRIVE	1
4	B090103014C0	PIN , DOWEL	1
5	15106G02F910	CIRCLIP	2
6	221405.100000	HOSE,OIL INLET	1
7	19213G02F00A	CLIP	2
8	221405.101000	HOSE,OIL OUTLET	1
9	19217G02F00A	CLIP	2



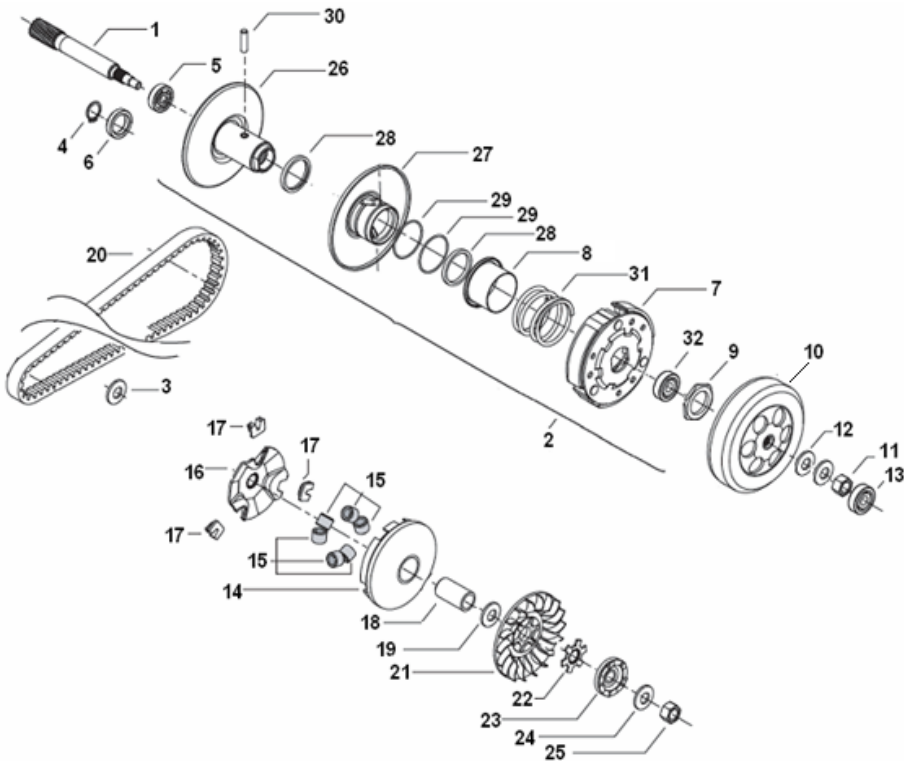
E06 AIR COOLING SYSTEM

NO.	Part No.		QTY.
1	20301B01F000	AIR SHROUD , CYLINDER	1
2	20303G02F000	GROMMET	2
3	20201B09F000	AIR SHROUD , FAN	1
4	20208G02F000	DAMPER , AIR SHROUD1	1
5	279071070050	AIR SHROUD ASSY , FAN	1
6	20401B01F000	FAN COMP	1
7	20402G02F000	O RING 70X3.1	1
8	B01070601663	BOLT M6X16	3
9	B07000000600	SPRING WASHER φ6	3
10	B07030000600	WASHER φ6	3
11	20102G02F000	DEFLECTOR	1
12	20206G02F000	DAMPER , AIR SHROUD2	1
13	20208B09F000	COLLAR	3
14	222304.102000	AIR SHROUD COVER , FAN	1
15	B02000403524	SCREW M4X35	3



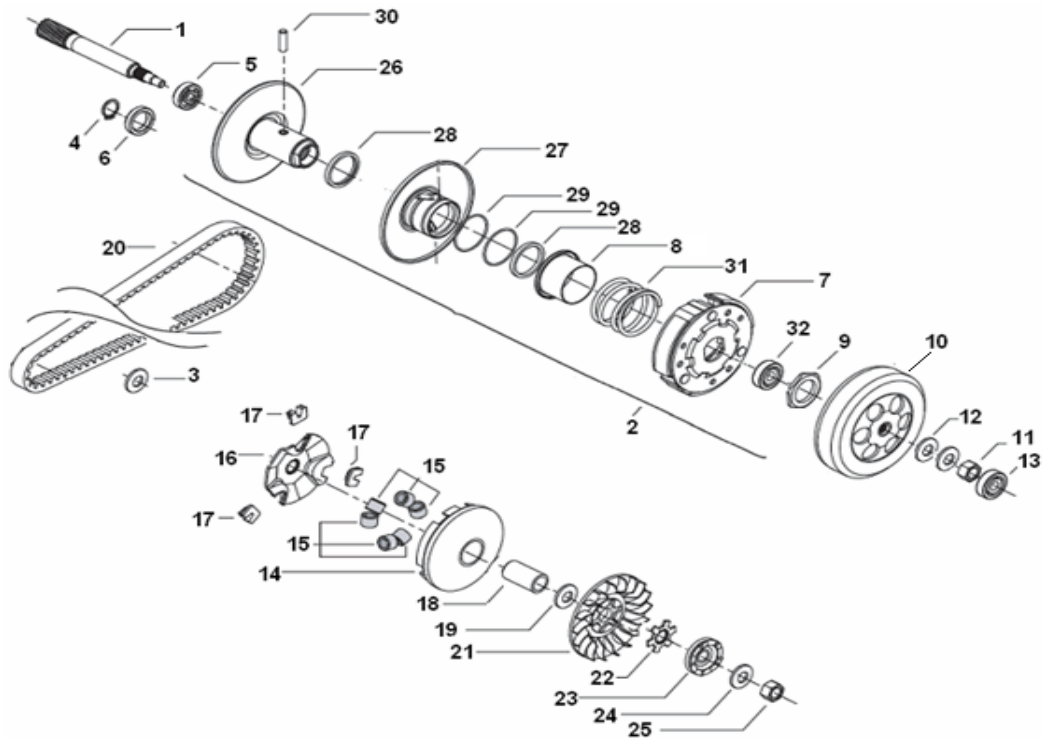
E07 KICK STARTER ASSY

NO.	Part No.		QTY.
1	34120G02F000	WHEEL , STARTER	1
2	34121G02F000	BEARING 26400	1
3	34123G02F000	WASHER , PLATE	1
4	34110G02F00A	START CLUTCH	1
5	34126G02F000	GEAR , IDLE	1
6	26128G02F000	SHAFT , IDLE GEAR	1
7	34122G02F000	WASHER , PLATE	1
8	34125G02F000	PLATE , IDLE GEAR	1
9	B01070601063	BOLT , FLANGE M 6X10	2
10	302040602065	BOLT M6X20	2
11	216100.003000	KICK SHAFT ASSY	1
12	17407G02F000	SPRING , TORSION	1
13	216217.004000	BUSH , SOLID	1
14	307991005552	WASHER , PLATE	1
15	308090150003	CIRCLIP	1
16	17415G02F000	KICK PINION ASSY	1
17	17418G02F930	CLIP	1
18	218100.051472	STARTING MOTOR ASSY	1
19	B190102120B0	O-RING	1
20	34130G02F000	WASHER , PLATE	1
21	217100.100000	START CLUTCH	1
22	34404G02F00A	SPRING	3
23	34405G02F00A	CAP	3
24	34402G02F00A	ROLLER	3



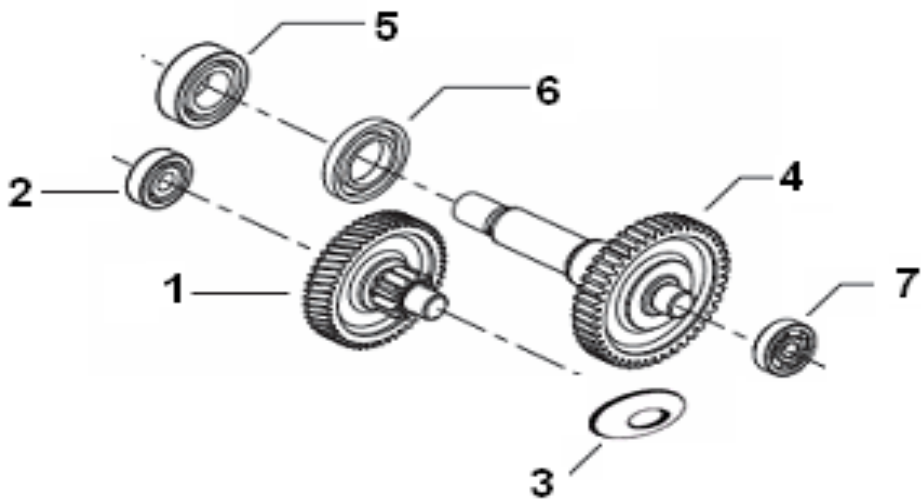
E08/1 CLUTCH ASSY

NO.	Part No.		QTY.
1	229041070000	DRIVING SHAFT	1
2	24200B01F000	DRIVING PULLEY ASSY	1
3	20001107012X	COLLAR	1
4	B08010001700	CIRCLIP	1
5	B12016620300	BEARING 6203	1
6	24203B09F000	SEAL , OIL 17X35X7	1
7	24301B01F000	CLUTCH WEIGHT SET	1 set
8	24309G02F930	SEAT, SECONDARY SPRING	1
9	24303G02F000	NUT M28X1	1
10	24700G02F000	CLUTCH HOUSING COMP	1
11	24305G02F940	NUT M10X1	1
12	200492080000	RING 5.5X1.5	2
13	24209G02F000	BEARING 638Z	1
14	24101G02F000	MOVABLE DRIVING FACE COMP	1
15	213119.005000	WEIGHT ROLLER SET	1set
16	24103G02F000	RAMP PLATE	1
17	24104G02F000	SLIDE PIECE SET	1set
18	24105G02F000	COLLAR, DRIVNG FACE	1
19	24106B01F000	WASHER , PLATE	1



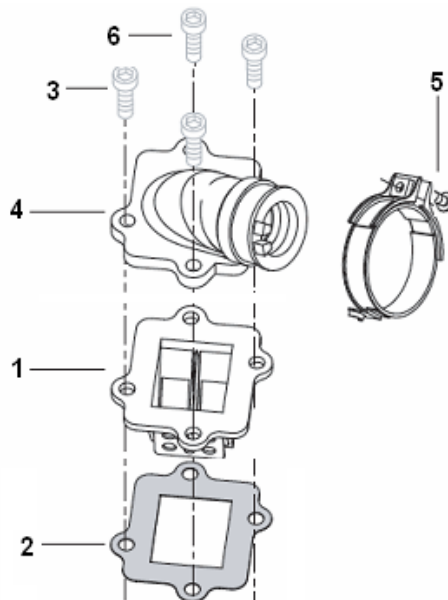
E08/2 CLUTCH ASSY

NO.	Part No.		QTY.
20	24107B01F000	DRIVE V BELT	1
21	24108G02F000	SHEAVE, PRIMARY FIXED	1
22	24109G02F000	WASHER, CLAW	1
23	213203.001161	CLUTCH , ONEWAY	1
24	15112G02F010	WASHER, CONICAL SPRING	1
25	B04031212553	NUT M12X1.25	1
26	24204G02F000	SECONDARY FIXED SHEAVE COMP	1
27	24205G02F000	SECONDARY SLIDING SHEAVE	1
28	24206G02F000	SEAL , OIL 33X39X4	2
29	24207G02F000	O-RING 1.7X38.7	2
30	24208G02F000	PIN, GUIDE	2
31	24308B01F000	SPRING , COMPRESSION	1
32	24245G02F000	BEARING	1



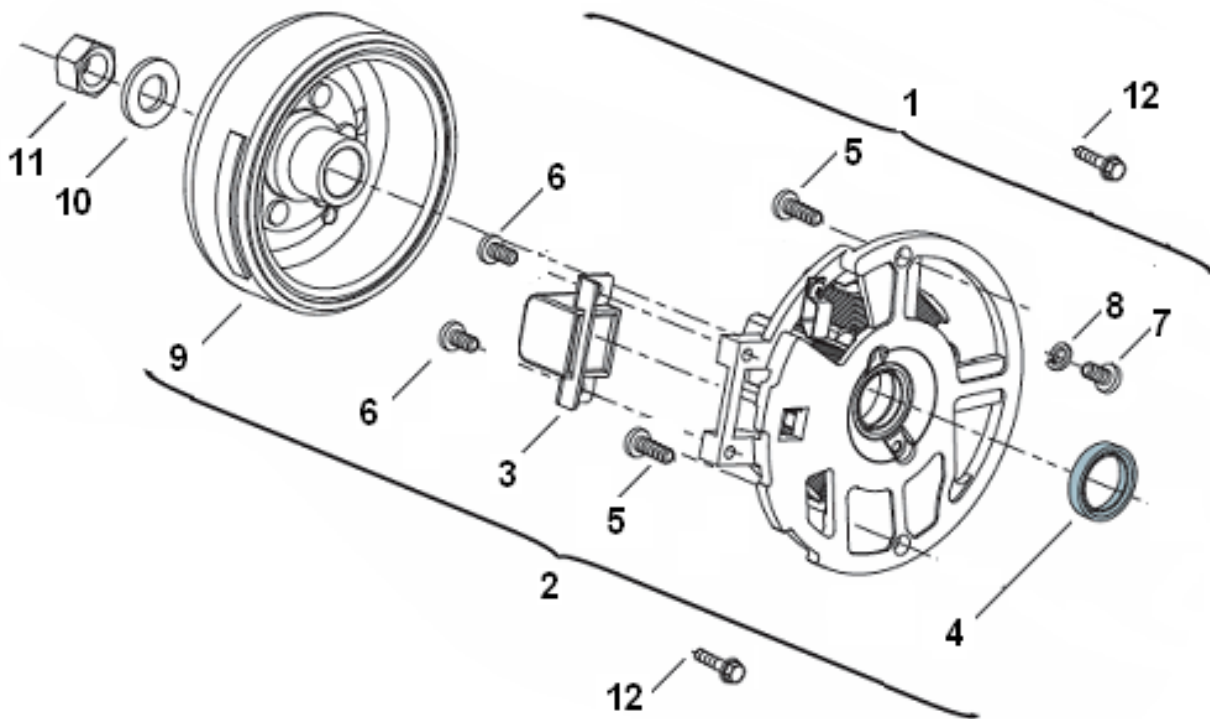
E09 TRANSMISSION SYSTEM ASSY

NO.	Part No.		QTY.
1	229061070002	COUNTER SHAFT ASSY	1
2	B12016620000	BEARING 6200	1
3	17732J01F000	WASHER, PLATE Φ 14	1
4	229081070002	FINAL SHAFT ASSY	1
5	B12016600400	BEARING 6004-2RS	1
6	17317B09F000	SEAL , OIL 25X44X7	1
7	B12016620200	BEARING 6202	1



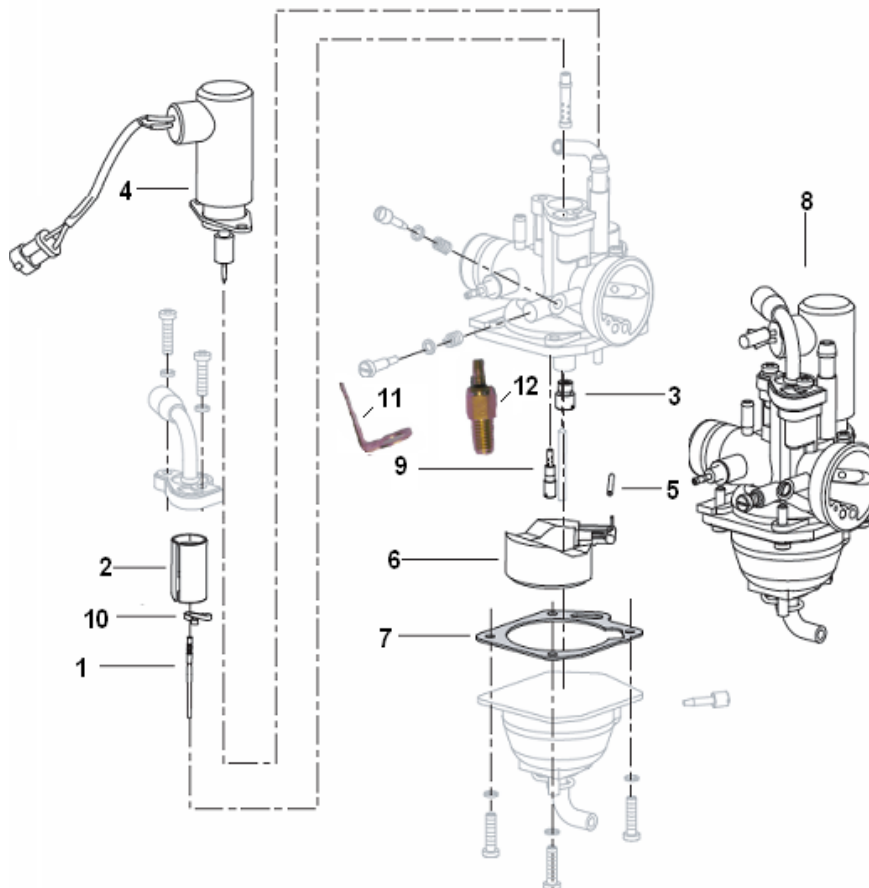
E10 REED VALVE ASSY

NO.	Part No.		QTY.
1	32300G02F000	REED VALVE ASSY	1
2	202306.002000	GASKET , VALVE SEAT	1
3	302040602065	BOLT M6X20	3
4	32200G02F000	MANIFOLD , INTAKE	1
5	202104.006472	BAND	1
6	206412.001472	SCREW	1



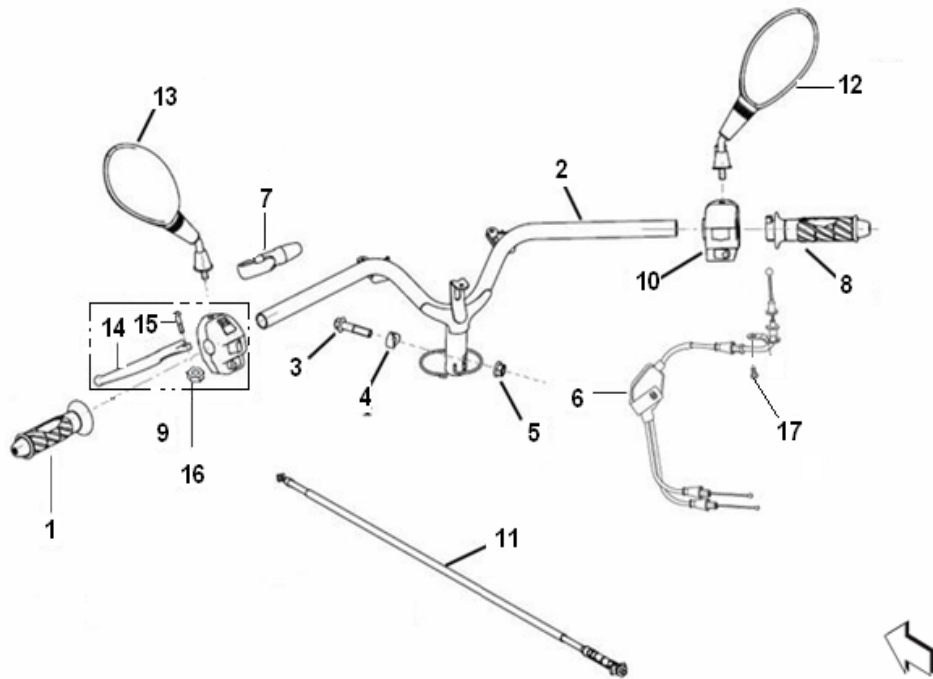
E11 MAGNETO ASSY

NO.	Part No.		QTY.
1	299031070001	STATOR ASSY	1
2	299011070001	A.C.G. Assy	1
3	34330G02F000	COIL , PULSER	1
4	34350G02F000	SEAT , OIL	1
5	B02000502522	BOLT M5X25	2
6	B02000501062	SCREW , PAN HEAD M5X10	2
7	B02000400622	BOLT M4X6	1
8	B07000000400	SPRING WASHER	1
9	299022080014	FLYWHEEL COMP	1
10	B07030001200	WASHER , PLATE	1
11	15228H03F000	NUT M12X1.25	1
12	B01070601663	SCREW , PAN HEAD M6X16	2



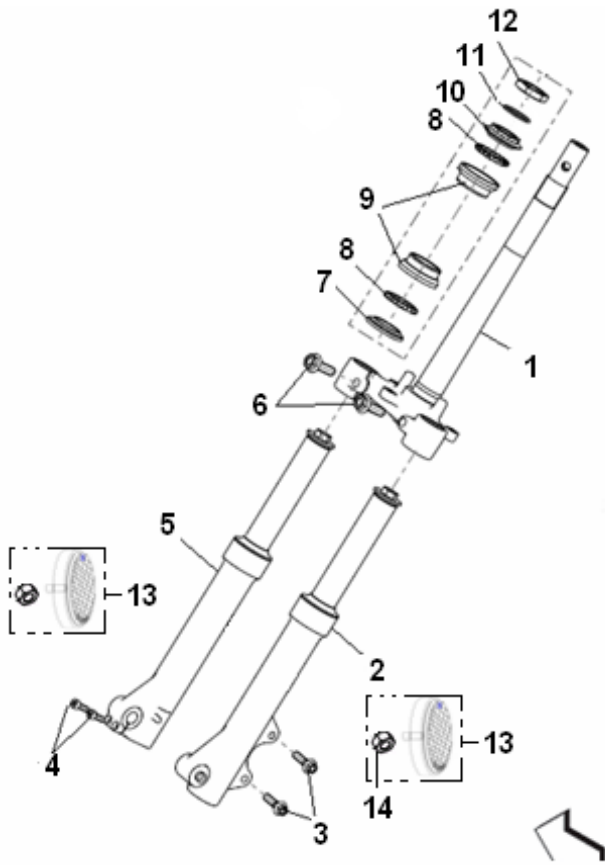
E12 CARBURETOR ASSY

NO.	Part No.		QTY.
1	32510B01F000	NEEDLE, JET	1
2	32511B01F000	VALVE , THROTTLE1	1
3	224202.104000	JET, MAIN 60A	1
4	224107.011000	PLUNGER , STARTER	1
5	32619B01F000	PIN, FLOAT	1
6	32620B01F000	FLOAT	1
7	32701B01F000	GASKET	1
8	3390005E0260	CARBURETOR ASSY (QJ,MJ60A,NJ22.5,without heater)	1
8	3390005E0380	CARBURETOR ASSY (QJ,MJ60A,NJ22.5,with heater)	1
9	224203.100000	JET, IDLE 22.5#	1
10	32508B01F000	CLIPMM,V SHAPE	1
11	32801B09F000	L WASHER	1
12	32800B09F000	HEATING ASSY	1
3	224202.066000	JET, MAIN 75	1



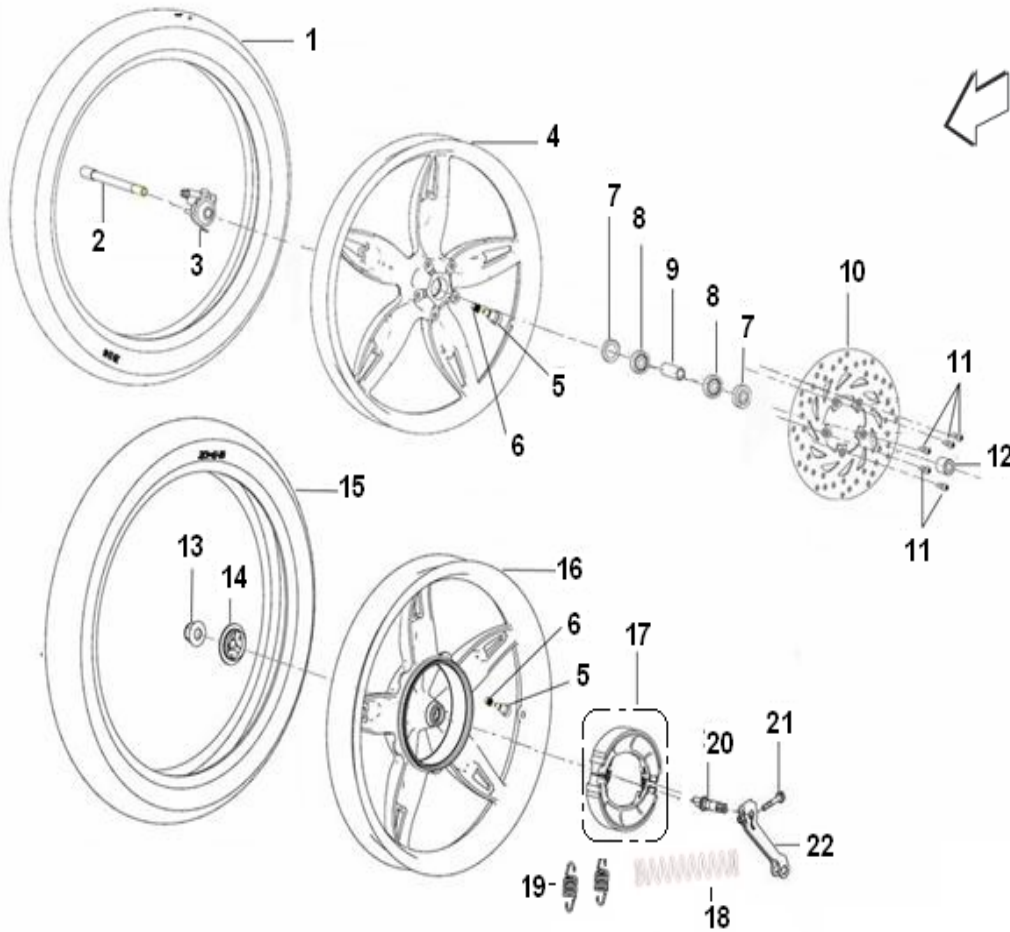
F01 CONTROL ASSY.

NO.	Part No.	DESCRIPTION	QTY.
1	40001T090001	GRIP(L)	1
2	40100B550000	HANDLE COMP.	1
3	B01591005065	BOLT M10×1.25×50	1
4	40031T030000	COLLAR	1
5	B04171012555	NUT M10×1.25	1
6	40300B550000	CABLE , THROTTLE	1
7	40007B910000	BOOT, RR. BRAKE CABLE	1
8	40210T090000	GRIP ASSY(R)	1
9	40500B910000	LEVER HANDLE ASSY(L)	1
10	40600B910001	SWITCH , HANDLE(R)	1
11	40270B550000	CABLE , BRAKE	1
12	40480B920042	RR.VIEW MIRROR ASSY(R)	1
13	40450B920042	RR.VIEW MIRROR ASSY(L)	1
14	40002B920002	LEVER , L	1
15	45024T400000	BOLT	1
16	B04000600055	NUT M6	1
17	B02000501025	SCREW , PAN HEAD M5×10	1



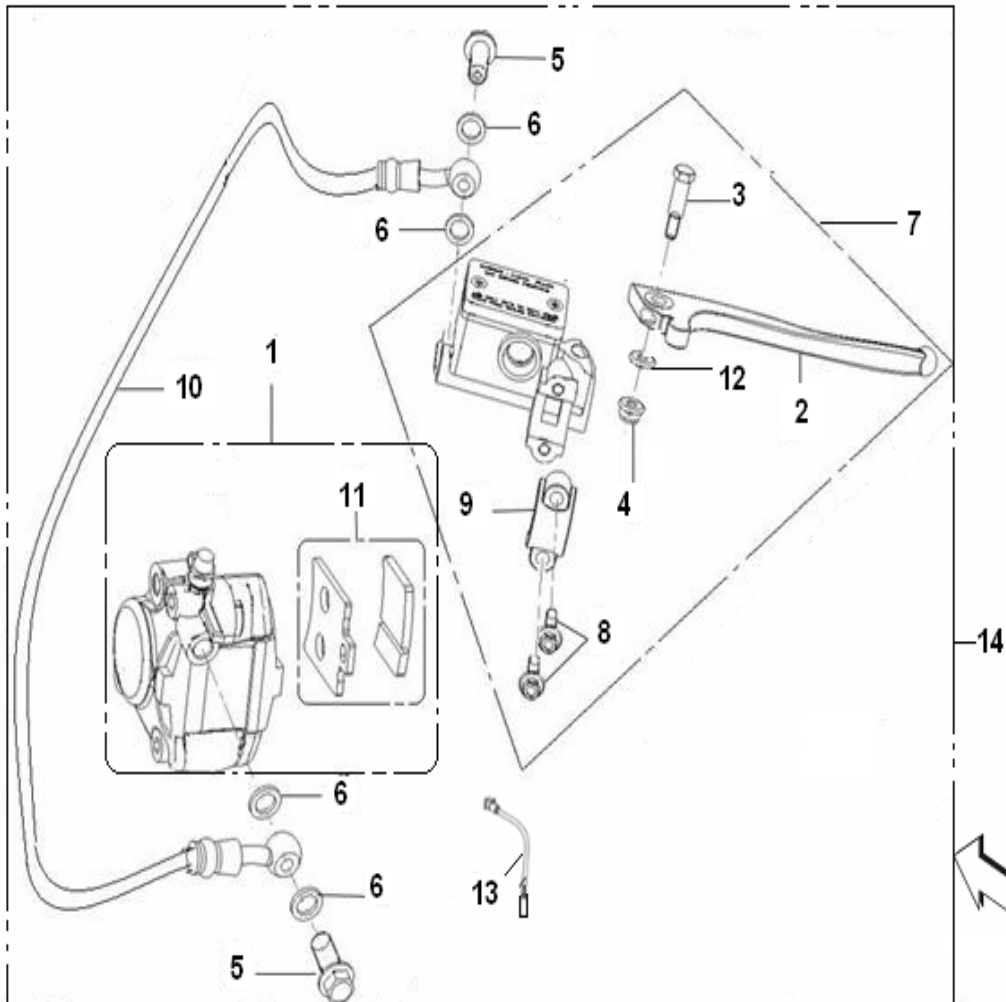
F02 FRONT FORK

NO.	Part No.	DESCRIPTION	QTY.
1	43100B490000	STEM COMP, STEERING	1
2	43200B550000	FRONT FORK ASSY(L)	1
2	43200B550001	FRONT FORK ASSY(L)	1
3	B01090803065	FLANGE BOLT M8×30	2
4	B0205060206A	HEXAGON SOCKET HEAD SCREW M6×20	2
5	43300B550000	FRONT FORK ASSY(R)	1
5	43300B550001	FRONT FORK ASSY(R)	1
6	B01591003065	FLANGE BOLT M10×1.25×30	2
7	43004B450000	BALL RACE, LOWER STEERING	1
8	43130B450000	BALL ASSY	2
9	43002B450000	BALL RACE, UPPER STEERING 2	2
10	43001B450000	BALL RACE, UPPER STEERING 1	1
11	43007B450000	WASHER	1
12	43008B450000	LOCK NUT, STEERING STEM	1
13	86300J000002	SIDE REFLECTOR ASSY	2
14	B04000500055	NUT M5	2



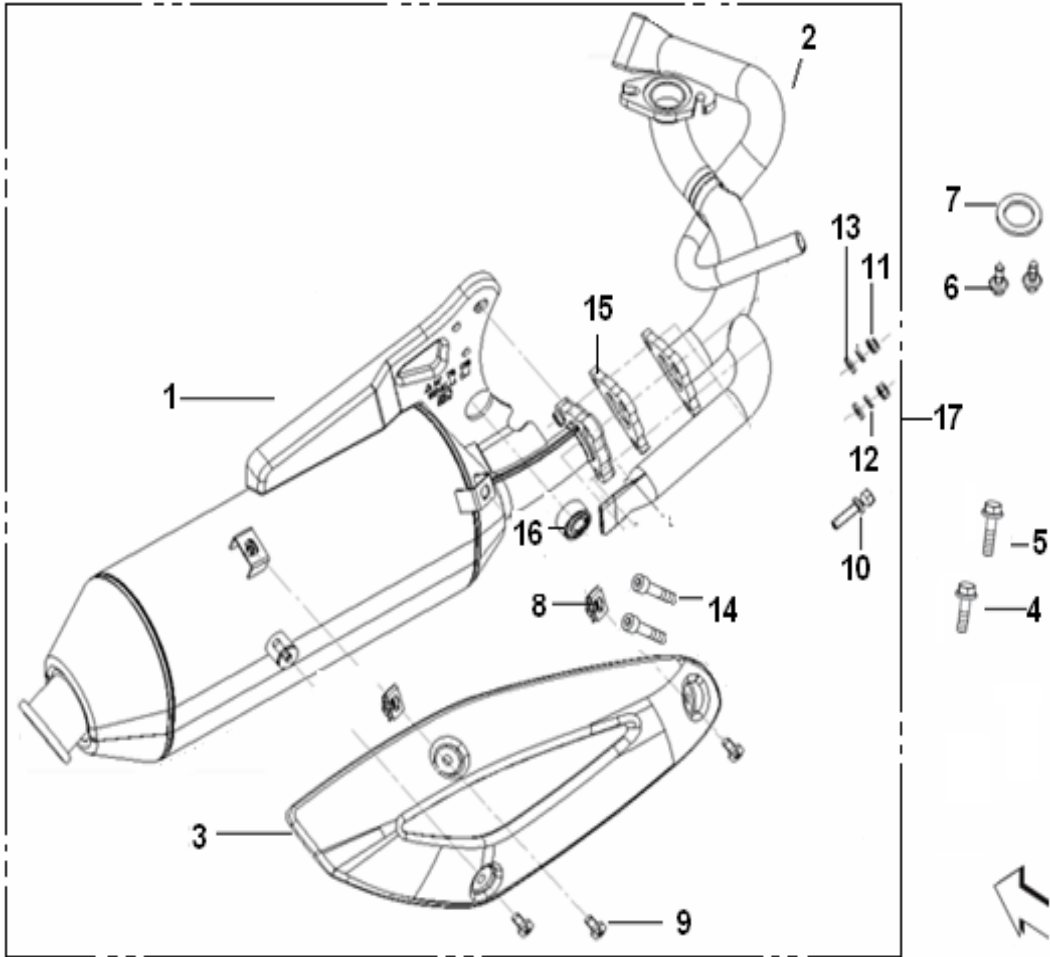
F03 WHEEL SET

NO.	Part No.	DESCRIPTION	QTY.
1	B140103E1611	TIRE, FRONT 80/80-16	1
2	44004B490000	AXLE , FRONT WHEEL	1
3	44200B550000	GEAR UNIT ASSY	1
4	44101B49HR00	WHEEL COMP, FRONT 16×1.6	1
5	B1403Z201100	VALVE, RIM	2
6	B1404Z1102A0	VALVE,CAP	2
7	44300B450000	SEAL , OIL	2
8	B12016020100	BEARING 6201-2RS	2
9	44006B490000	COLLAR	1
10	45033B490000	DISK , FRONT BRAKE	1
11	B0205060206A	BOLT M6×20MM	5
12	44005G060000	COLLAR	1
13	B04171615055	NUT , SELF-LOCKING M16×1.5	1
14	43481B910000	DUST COVER	1
15	B140104E1611	TIRE, REAR 90/80-16	1
16	54100B49HR00	WHEELCOMP, REAR 16×1.8	1
17	54200B49001Z	BRAKE SHOE SET	1
18	54008T030000	SPRING, REAR BREAK ARM	1
19	54001G130000	SPRING, BREAK SHOE	2
20	54003B490000	CAMSHAFT,REAR BRAKE	1
21	B01070603065	BOLT M6×30	1
22	54250B490001	ARM, REAR BRAKE	1



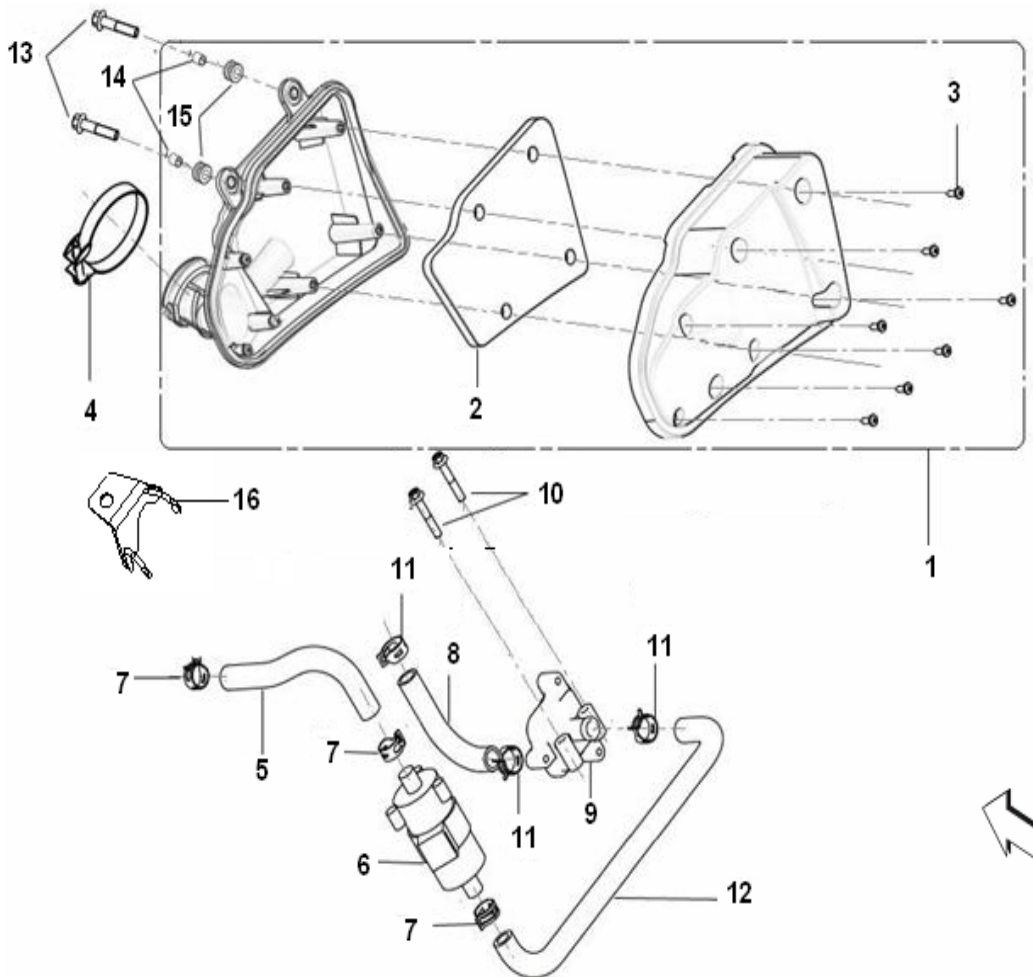
F04 FRONT DISK BRAKE

NO.	Part No.	DESCRIPTION	QTY.
1	45500B450000	CALIPER ASSY	1
2	45022B920002	R. BREAK LEVER, HANDLE	1
3	45024T400000	PIVOT BOLT	1
4	B04000600055	NUT M6	1
5	45037J000000	OIL BOLT	2
6	45029J000000	WASHER, OIL BOLT	4
7	45400B920000	MASTER CYLINDER ASSY	1
8	B01070602365	BOLT M6×23	2
9	45023T010000	HOLDER, MASTER CYLINDER	1
10	45200B550000	HOSE , BRAKE	1
11	45120T090000	BRAKE PAD KIT	1
12	B07000000605	SPRING WASHER Φ6	1
13	45300T030000	BRAKE SWITCH	1
14	45900B550000	FRONT MASTER CYLINDER AND CALIPER ASSY.	1



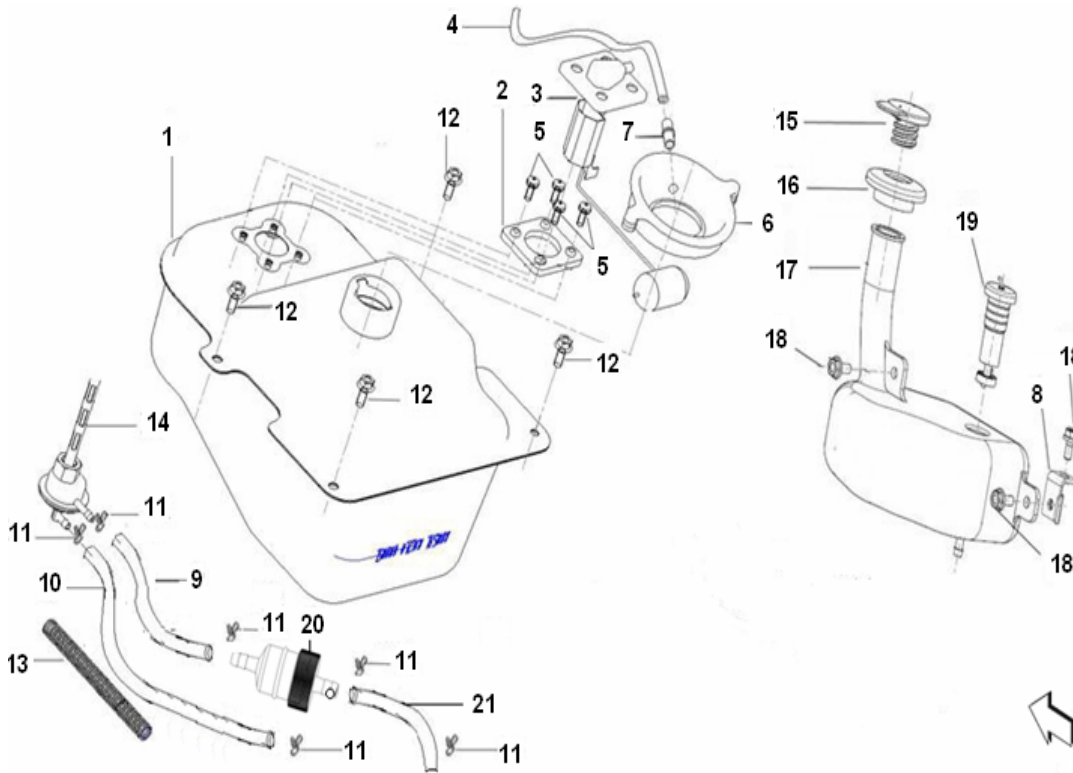
F05 MUFFLER

NO.	Part No.	DESCRIPTION	QTY.
1	47200B490000	MUFFLER COMP	1
2	47500B490000	EXHAUST PIPE COMP	1
3	47023B550000	PROTECTOR,MUFFLER	1
4	B01090802065	BOLT M8×20	1
5	B01090803065	BOLT M8×30	1
6	B01090601665	BOLT M6×16	2
7	47035B910000	GASKET , EXHAUST PIPE 1	1
8	65803S010000	NUT , SPRING	2
9	08011B920000	SCREW , PAN HEAD M6×16	3
10	08013B920010	BOLT , FLANGE M6×25	1
11	B04000600055	NUT M6	2
12	B07000000605	SPRING WASHER	2
13	B07030000605	WASHER 6	2
14	B02050602565	BOLT M6×25	2
15	47491B920001	GASKET, MUFFLER	1
16	47039B020000	BUSH, MUFFLER	1
17	47100B55001Z	MUFFLER ASSY COMP	1
2	47500B490003	EXHAUST PIPE COMP	1



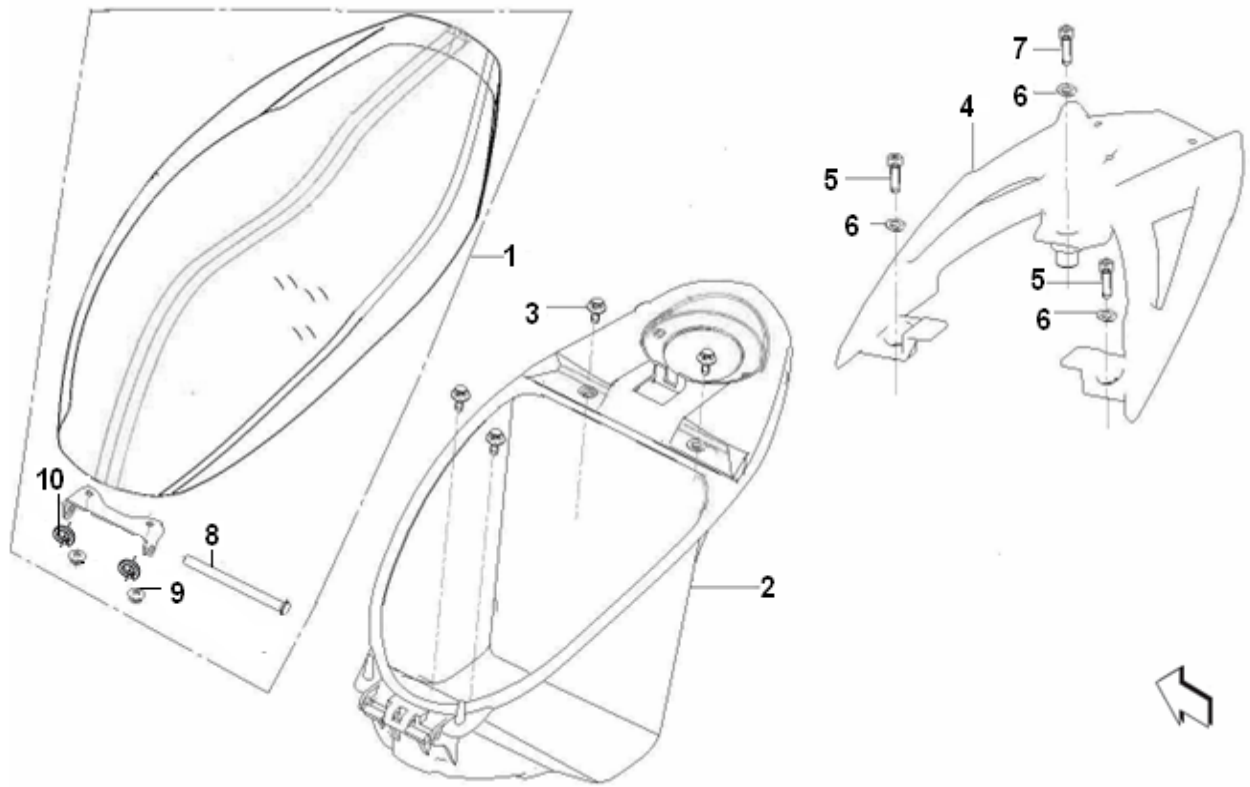
F06 AIR CLEANER

NO.	Part No.	DESCRIPTION	QTY.
1	49100B420000	AIR CLEANER ASSY.	1
2	49202B420000	ELEMENT , AIR CLEANER	1
3	B05074501605	SCREW , TAPPING ST4.8×16	7
4	49350B450050	BAND 44-48	1
5	49851B490000	HOSE3 Φ13×18×80	1
6	49870B140000	AIR FILTER ASSY	1
7	49804J000000	CLIP Φ17	3
8	49851B550000	HOSE1 Φ13×18×130	1
9	110011070000	ONE WAY VALVE	1
10	B01090603565	BOLT M6×35	2
11	49805B570000	CLIP Φ19.3×10×1	3
12	49852B550000	HOSE2 Φ13×20×430	1
13	B01090602065	BOLT M6×20	2
14	49004B450000	COLLAR	2
15	49022B450000	GROMMET	2
16	40060B490000	BRACKET , AIR CLEANER	1



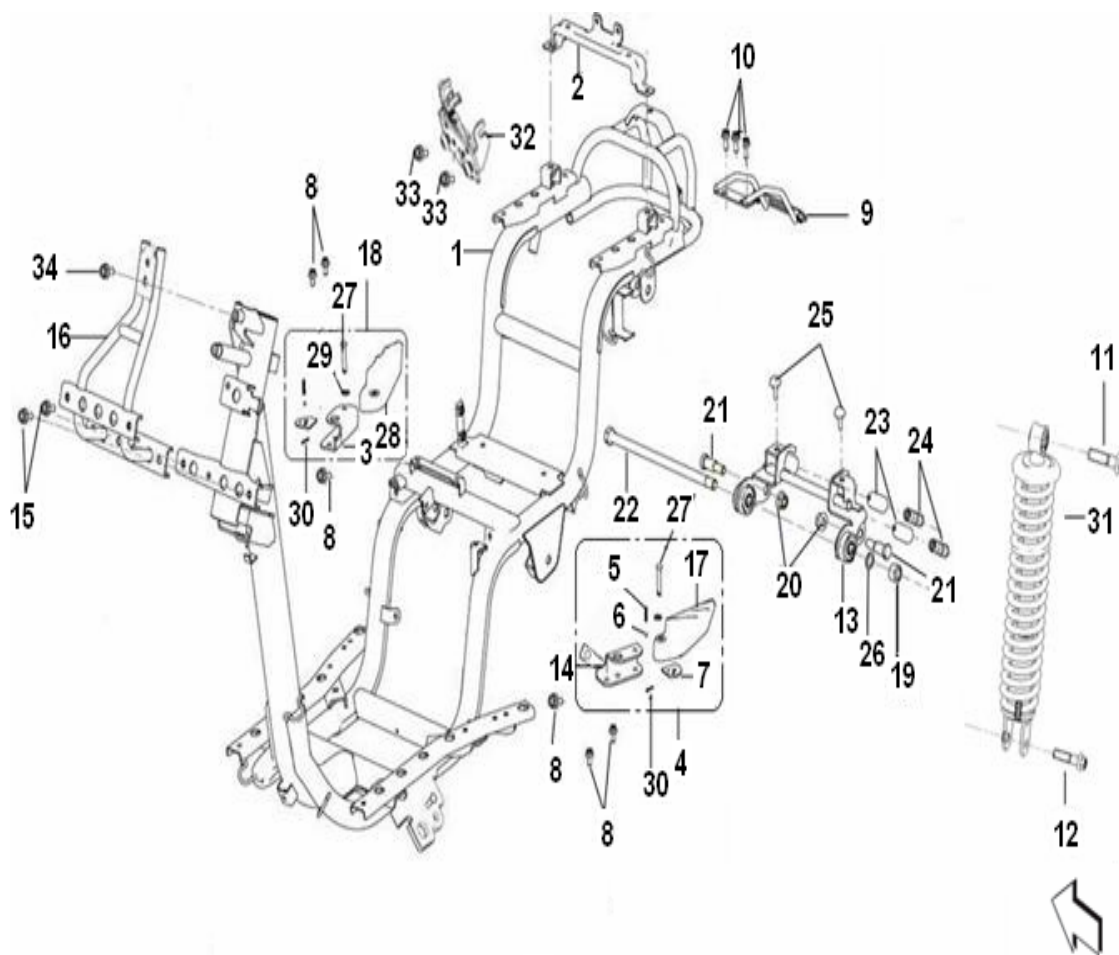
F07 FUEL TANK&OIL TANK

NO.	Part No.	DESCRIPTION	QTY.
1	50100B550000	FULE TANK COMP.	1
2	50004B920000	GASKET, FUEL UNIT	1
3	50800B550000	FUEL UNIT ASSY	1
4	55065E070000	HOSE , COVER FILLER	1
5	08016B920000	BOLT M5×14MM	4
6	50011B400000	COVER , FILLER	1
7	08402B130000	BOSS , CONNECTOR	1
8	64080B550000	BRACKET , OIL TANK	1
9	B16010C21601	HOSE , FUEL COCKφ4.5×2×160	1
10	B16010424801	PIPE , FUEL2φ4×2×480	1
11	B17010080003	CLIP φ 8MM	6
12	B01090601665	BOLT M6×16	4
13	08354B920000	SPRING, FUEL PIPE	1
14	330011070010	FUEL COCK ASSY	1
15	64091W020000	CAP , OIL TANK	1
16	64012B300000	RUBBER , OIL TANK	1
17	64001B550000	OIL TANK	1
18	B01090601265	BOLT M6×12MM	3
19	64100B550000	OIL LEVEL GAUGE ASSY	1
20	50340T020000	FUEL FILTER ASSY.	1
21	B16010C23001	HOSE, FUELφ4.5×2×300	1



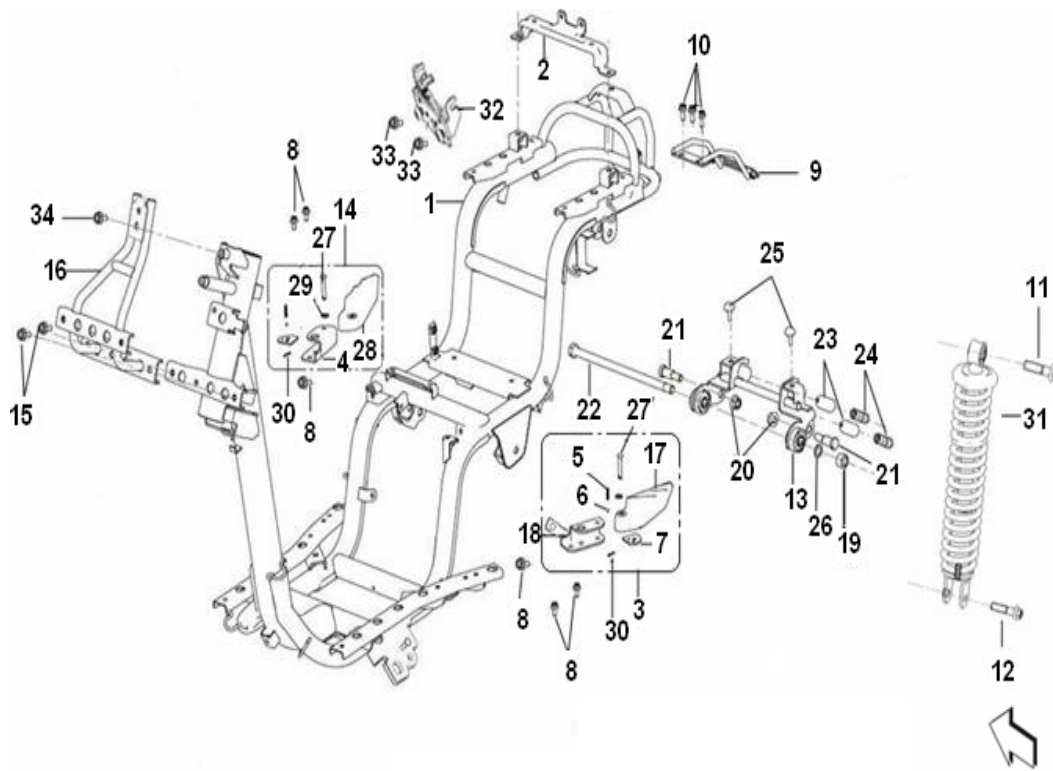
F08 SEAT ASSY.

NO.	Part No.	DESCRIPTION	QTY.
1	51100B550000	DOUBLE SEAT ASSY	1
2	51004B550000	LUGGAGE BOX	1
3	08011H010000	BOLT	4
4	52002B55HR00	ASSIST , GRIP	1
5	B02050802565	BOLT 8×25MM	2
6	B07030000805	WASHER 8	3
7	B02050803565	BOLT 8×35MM	1
8	51085B550000	PIVOT, SEAT	1
9	B04000600055	NUT M6	2
10	B07000000605	WASHER 6	2



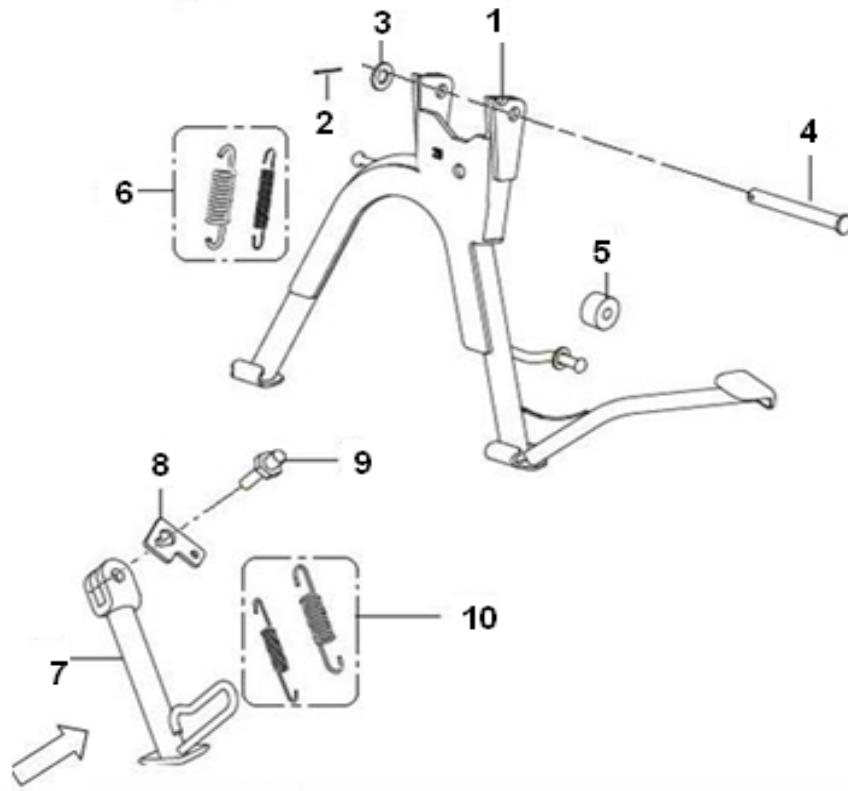
F09/1 FRAME BODY

NO.	Part No.	DESCRIPTION	QTY.
1	57100B550000	FRAME COMP	1
2	58070B550000	BRACKET, SEAT LOCK	1
3	58247B550000	BRACKET , FOOTREST(R)	1
4	58220B550000	PEDAL ASSY(L)	1
5	58262B460000	SPRING, FRONT FOOTREST	2
6	B06110120000	BALL Φ 3.969	2
7	58223B550000	WASHER	2
8	B01070601265	BOLT M6X12	6
9	59610B550000	BRACKET COMP, REAR MUDGUARD	1
10	B01090601665	BOLT M6X16	3
11	B01090803565	BOLT M8 \times 35	1
12	B01591004065	BOLT M8 \times 1.25 \times 40	1
13	58320B45001Z	ENGINE HANGER ASSY.	1
14	58227B550000	BRACKET , FOOTREST(L)	1
15	B01090801665	BOLT 8X16	2
16	59510B550000	CARRIER, FRONT	1
17	58226B550000	FOOTREST(L)	1
18	58240B550000	PEDAL ASSY(R)	1
19	B04161212565	NUT, SLEF-LOCK M12X1.25	1
20	B04171012555	NUT M10X1.25	2
21	08013B910000	BOLT, ENGINE HANGER M10X1.25X41	2
22	58303B450000	AXLE, ENGINE MOUNT	1



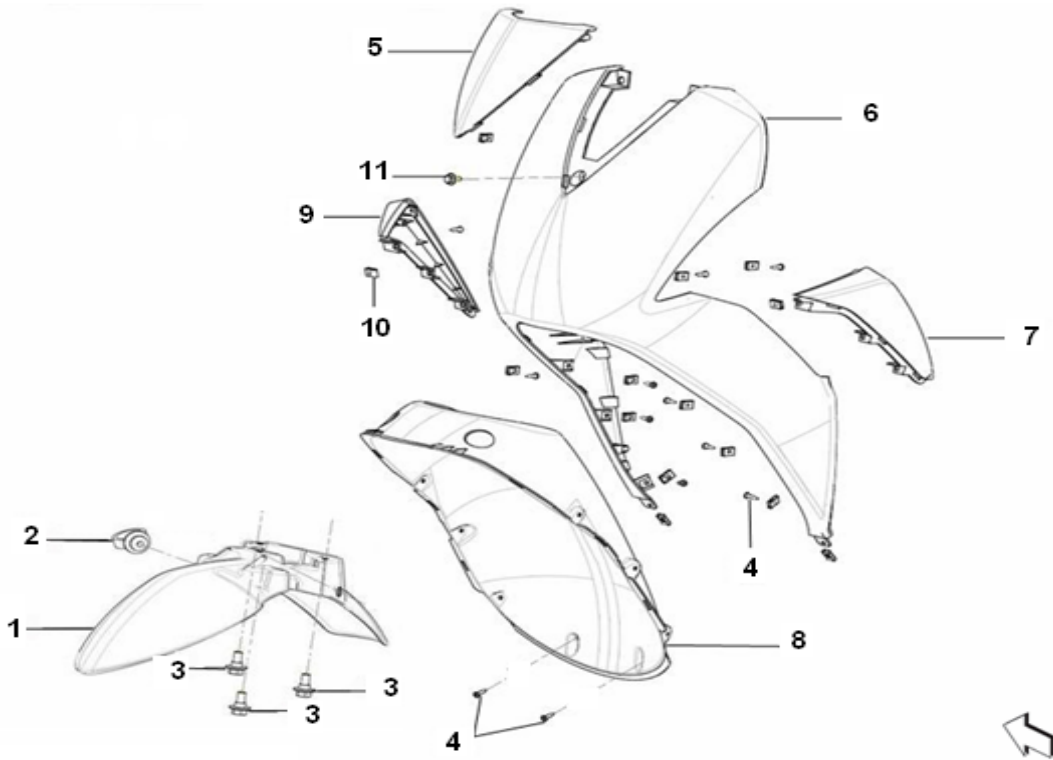
F09/2 FRAME BODY

NO.	Part No.	DESCRIPTION	QTY.
23	57014B070000	DAMPER	2
24	58034B920000	SPRING , COMPRESSION	2
25	58302B450000	STOPPER, RUBBER	2
26	B07200001205	WASHER ϕ 12	1
27	B090406032B5	PIN 6X32	2
28	58246B550000	FOOTREST(R)	1
29	B07010000605	WASHER ϕ 6	2
30	B090002018A5	PIN 2X10	2
31	63800B550000	SHOCK ABSORBER ASSY , REAR	1
32	88800B410000	SEAT LOCK ASSY	1
33	B01090601265	BOLT M6X12	2
34	B01090803065	BOLT M8X30	1



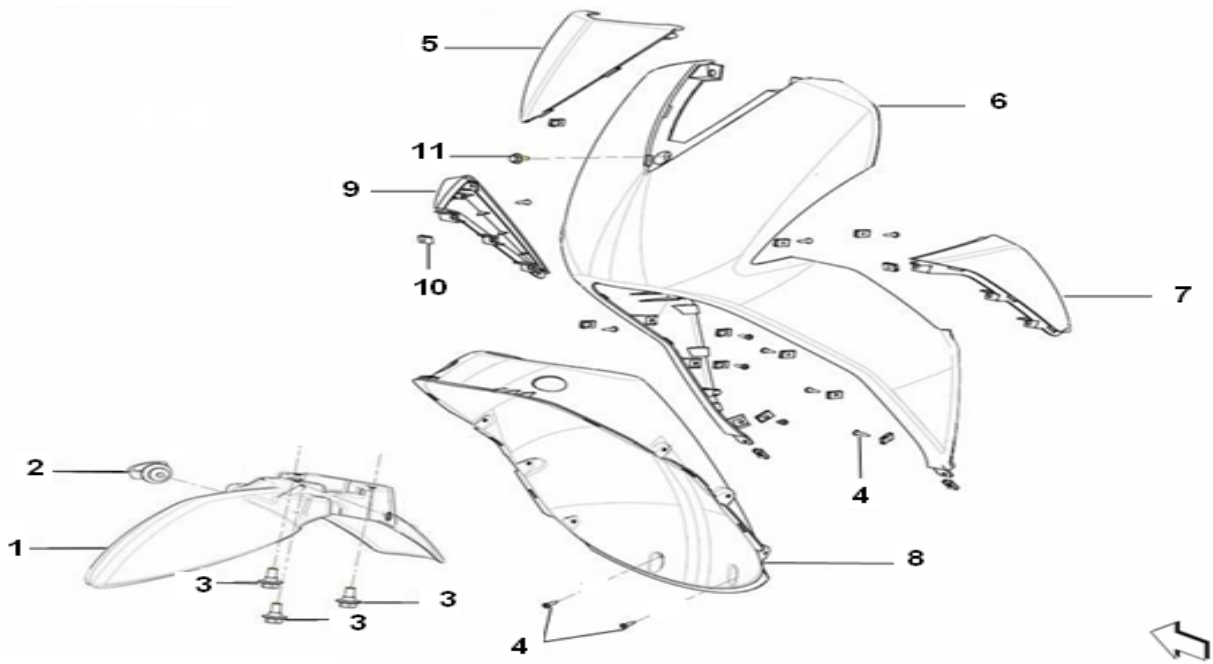
F10 MAIN STAND ASSY

NO.	Part No.	DESCRIPTION	QTY.
1	58520B450002	MAIN STAND	1
2	08382B000000	CLIP	1
3	B07030001005	WASHER ϕ 10	1
4	58501B450050	AXLE, MAIN STAND	1
5	58507T030000	STOPPER, MAIN STAND	1
6	58510B910000	SPRING SET,MAIN STAND	1
7	58700B550000	STAND , SIDE	1
8	57006B910000	POTHOOK, SPRING	1
9	57005B920000	BOLT	1
10	57010B910000	SPRING SET,SIDE STAND	1



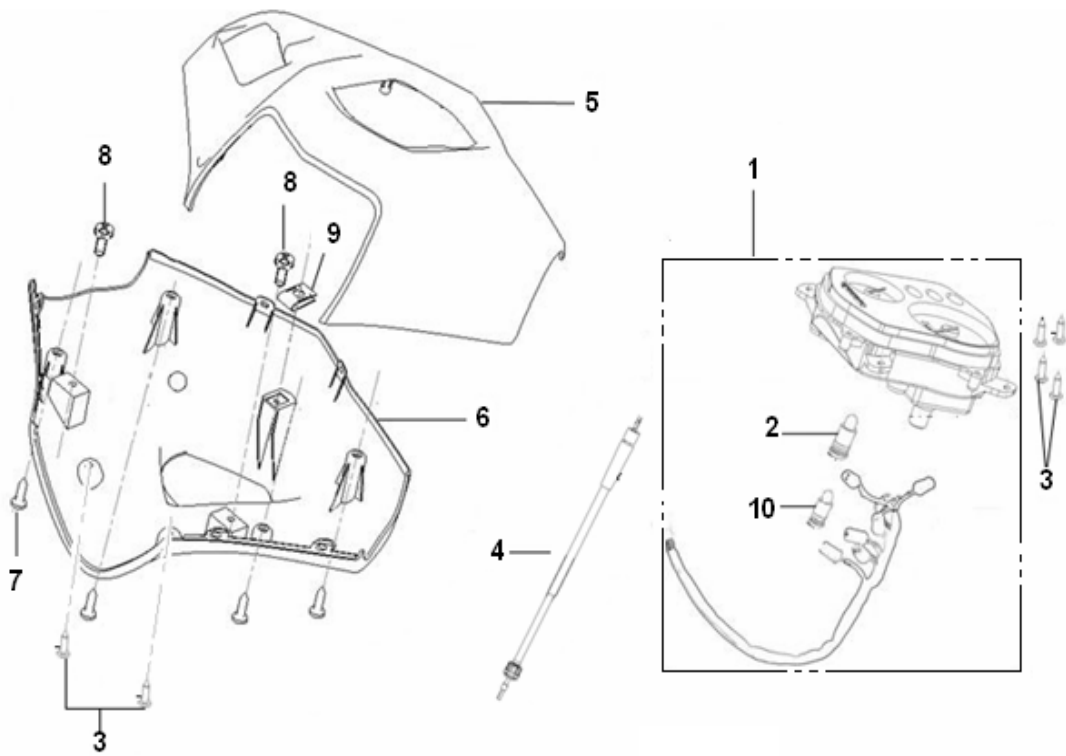
F11 FRONT COVER & FRONT FENDER

NO.	Part No.	DESCRIPTION	QTY.
1	65101B55BH00	FENDER , FRONT BLACK BH	1
1	65101B55H400	FENDER , FRONT BLACK H4	1
1	65101B55W100	FENDER , FRONT WHITE W1	1
1	65101B55CJ00	FENDER , FRONT SILVER CJ	1
2	40022B450000	HOLDER, SPEEDMETER CABLE	1
3	08011H010000	BOLT, FRANGE	3
4	B05074201605	SCREW , TAPPING ST4.2×16	12
5	65303B550000	COVER, FRONT TOP	1
5	65303B550001	FACEPLATE , FRONT COVER FOR FRONT SHELF VERSION	1
6	65301B55BH00	PANEL1 , FRONT BLACK BH	1
6	65301B55H400	PANEL1 , FRONT BLACK H4	1
6	65301B55W100	PANEL1 , FRONT WHITE W1	1
6	65301B55CJ00	PANEL1 , FRONT SILVER CJ	1



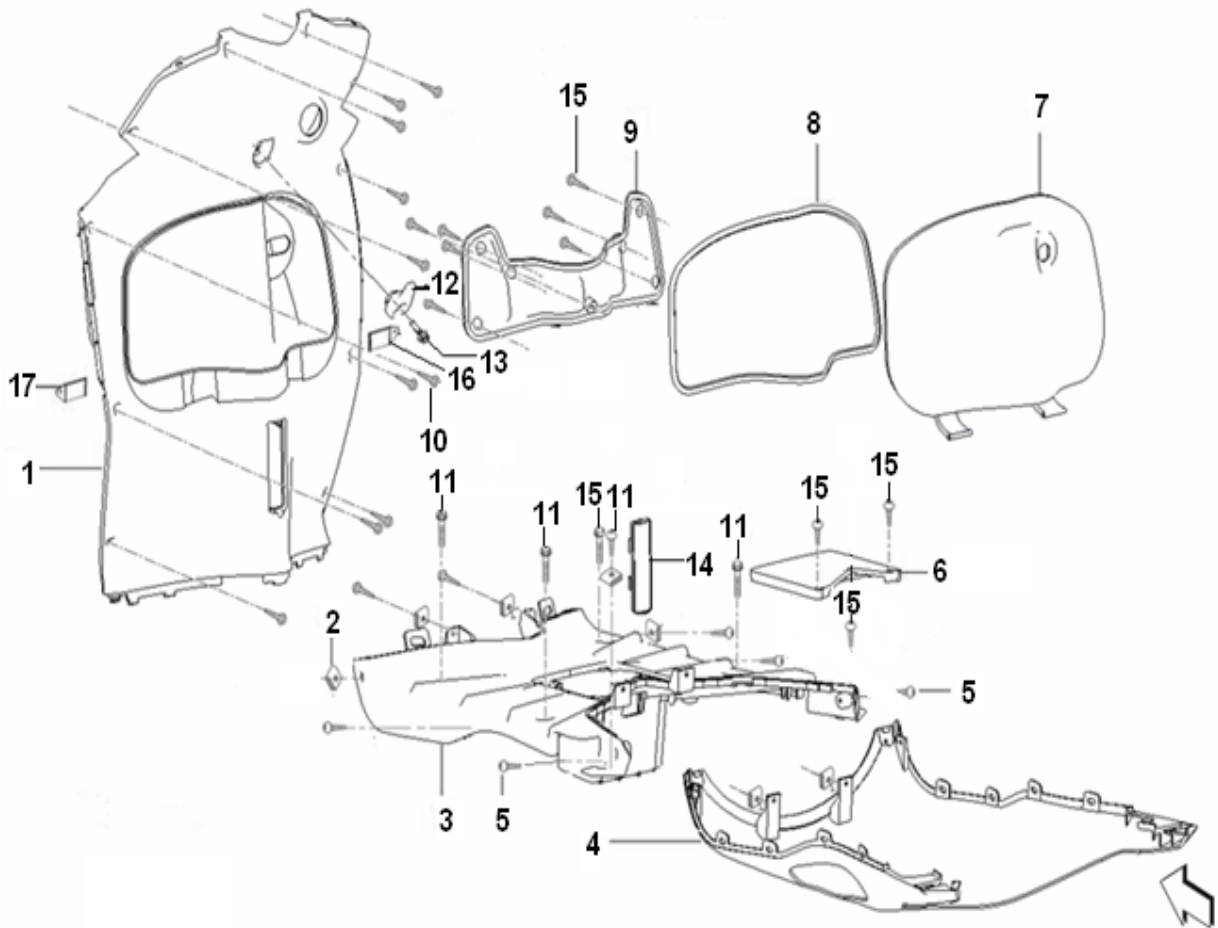
F11-1 FRONT COVER & FRONT FENDER

NO.	Part No.	DESCRIPTION	QTY.
6	65301B55BH01	FRONT COVER BLACK BH FOR FRONT SHELF VERSION	1
6	65301B55H401	FRONT COVER BLACK H4 FOR FRONT SHELF VERSION	1
6	65301B55W101	FRONT COVER WHITE W1 FOR FRONT SHELF VERSION	1
6	65301B55CJ01	FRONT COVER SILVER CJ FOR FRONT SHELF VERSION	1
7	65408B550000	PANEL2 , FRONT(L)	1
8	65358B550000	FENDER, INNER	1
9	65409B550000	PANEL2 , FRONT(R)	1
10	65801T020010	NUT , SPRING ST4.2	14
11	B13010601605	SCREW M6×16	1



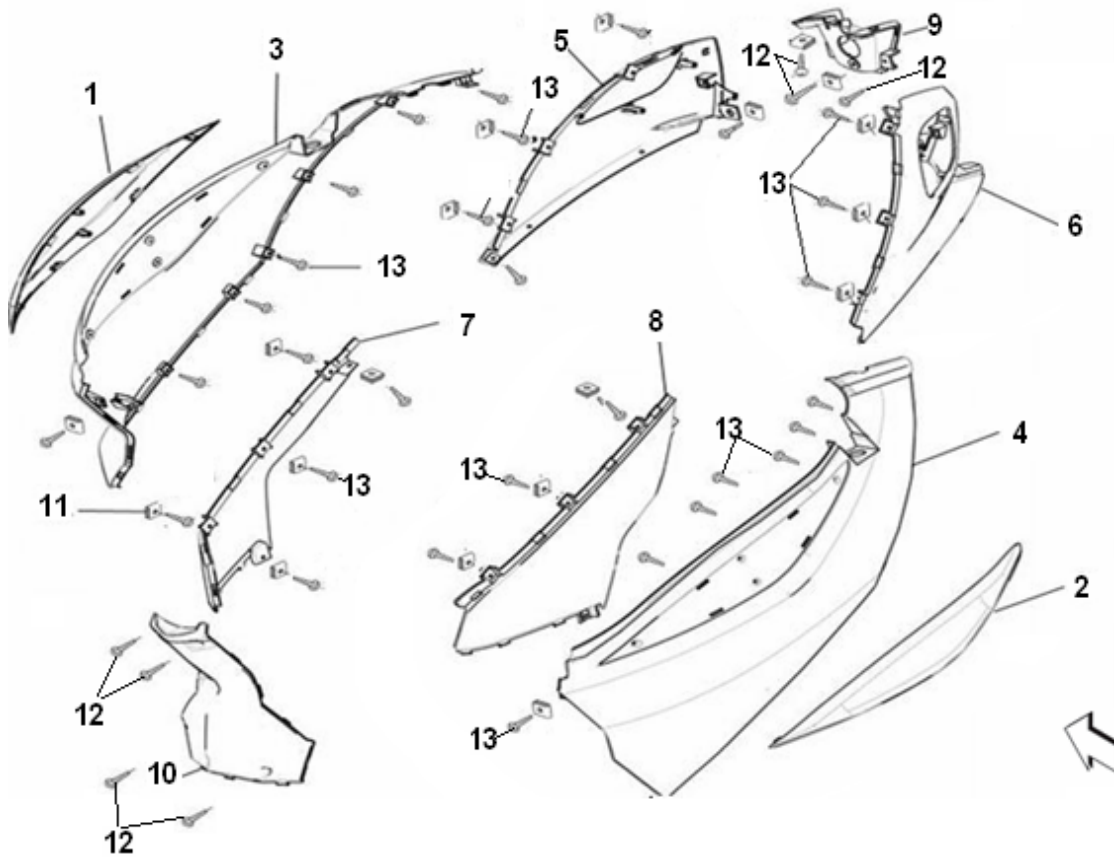
F12 SPEEDOMETER ASSY & HANDLE COVER

NO.	Part No.	DESCRIPTION	QTY.
1	70000B550000	SPEEDOMETER ASSY.	1
2	B24020321100	BULB 12V3W	2
3	B05074201305	SCREW , TAPPING ST4.2×13	6
4	72900B550000	SPEEDOMETER CABLE ASSY	1
5	65201B55BH00	HANDLE COVER, FRONT , BLACK (BH)	1
5	65201B55H400	HANDLE COVER, FRONT, BLACK H4	1
5	65201B55W100	HANDLE COVER, FRONT,WHITE W1	1
5	65201B55CJ00	HANDLE COVER, FRONT, SILVER CJ	1
6	65202B550000	HANDLE COVER, REAR	1
7	B05074201605	SCREW , TAPPING ST4.2×16	5
8	B13010501205	SCREW M5×12	2
9	65801T020010	NUT , SPRING ST4.2	1
10	B24020221200	BULB 12V2W	4



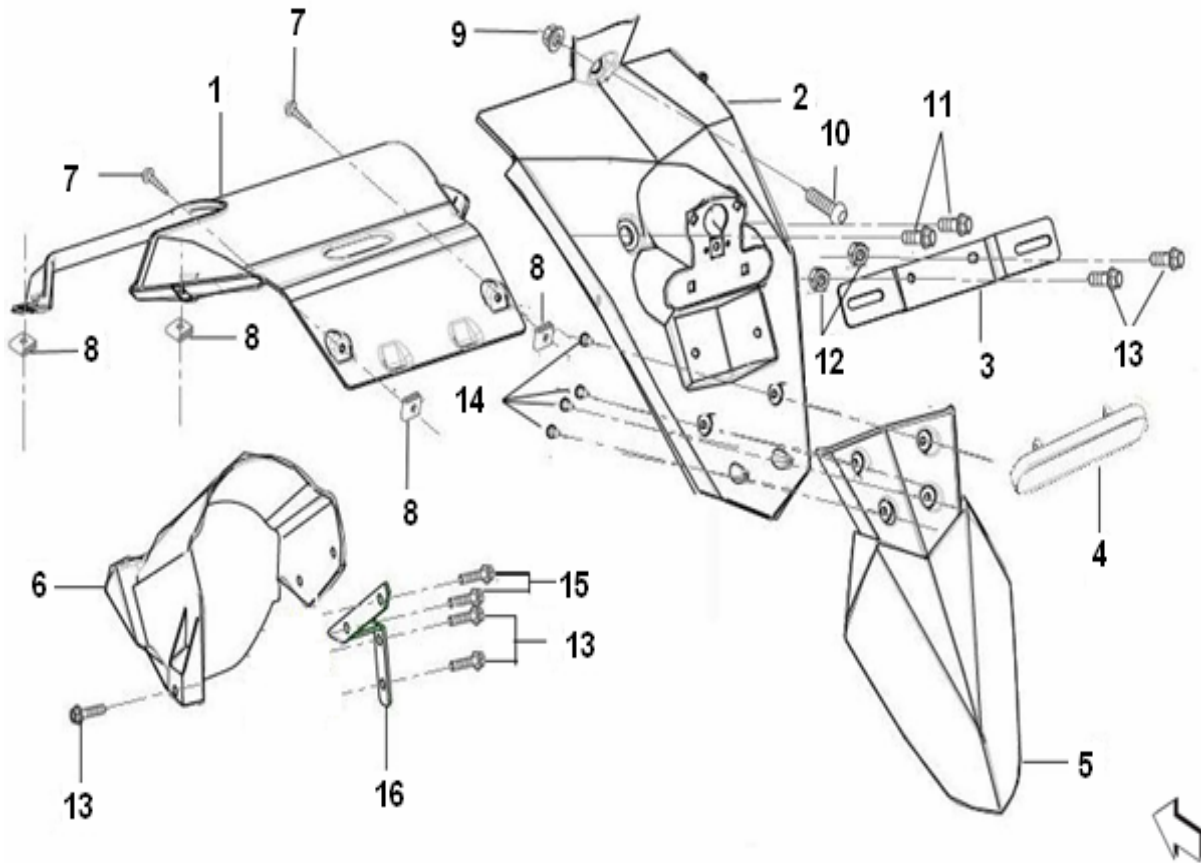
F13 LEG SHIELD

NO.	Part No.	DESCRIPTION	QTY.
1	65402B550000	LEG SHIELD	1
2	65801T020010	NUT , SPRING ST4.2	8
3	65401B550000	FLOOR PANEL	1
4	65406B55BH00	UNDER COVER, BLACK(BH)	1
4	65406B55H400	UNDER COVER, BLACK (H4)	1
4	65406B55W100	UNDER COVER, WHITE (W1)	1
4	65406B55CJ00	UNDER COVER, SILVER (CJ)	1
5	B05074201015	SCREW , TAPPING ST4.2×10	2
6	65813B550000	COVER , BATTERY	1
7	65404B550000	COVER,FRONTSTORAGE BOX	1
8	65487B550000	DAMPER	1
9	65491B550000	PLATE,COVER,FRONT STORAGE BOX	1
10	B05074201605	SCREW , TAPPING ST4.2×16	18
11	08011H010000	BOLT	4
12	51011B920000	HOOK, HELMET	1
13	B01090602565	BOLT M6×25	1
14	65403B550000	LID , FRAME NUMBER	1
15	B05074201305	SCREW ST4.2×13	12
16	65489B550000	STOP BOARD(R)	1
17	65488B550000	STOP BOARD(L)	1



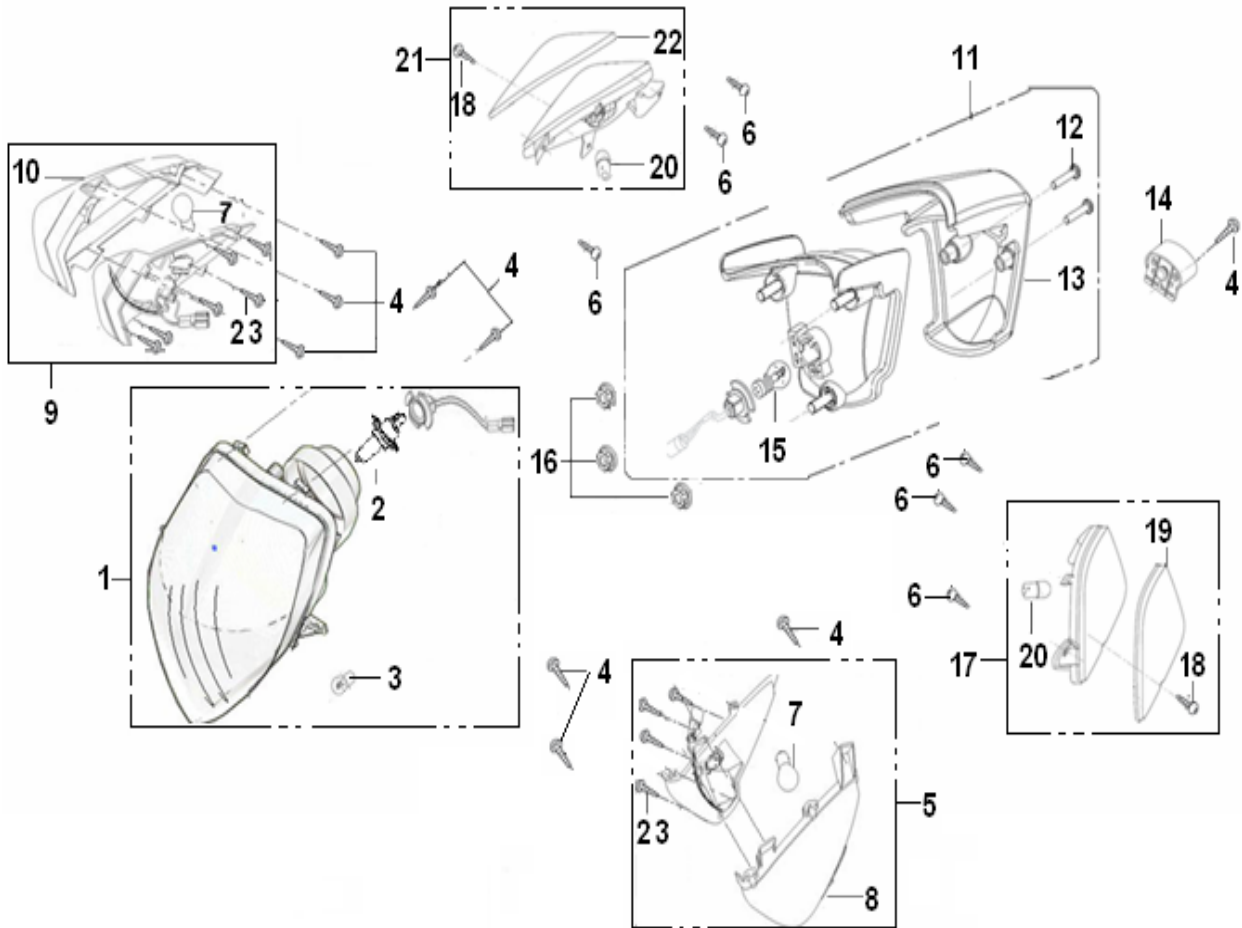
F14 FRAME COVER

NO.	Part No.	DESCRIPTION	QTY.
1	65622B550000	EMBLEM, RH BODY COVER	1
2	65621B550000	EMBLEM, LH BODY COVER	1
3	65602B55BH00	RH BODY COVER, BLACK (BH)	1
3	65602B55H400	RH BODY COVER, BLACK (H4)	1
3	65602B55W100	RH BODY COVER, WHITE (W1)	1
3	65602B55CJ00	RH BODY COVER, SILVER CJ	1
4	65601B55BH00	LH BODY COVER, BLACK BH	1
4	65601B55H400	LH BODY COVER, BLACK H4	1
4	65601B55W100	LH BODY COVER, WHITE W1	1
4	65601B55CJ00	LH BODY COVER, SILVER CJ	1
5	65672B550000	RR. RH SIDE COVER	1
6	65671B550000	RR. LH SIDE COVER	1
7	65604B550000	FR. RH SIDE COVER	1
8	65603B550000	FR. LH SIDE COVER	1
9	65626B550000	TAIL COVER	1
10	65605B550000	CENTER COVER	1
11	65801T020010	NUT , SPRING	21
12	B05074201605	SCREW , TAPPING ST4.2×16	7
13	B05074201305	SCREW , TAPPING ST4.2×13	22



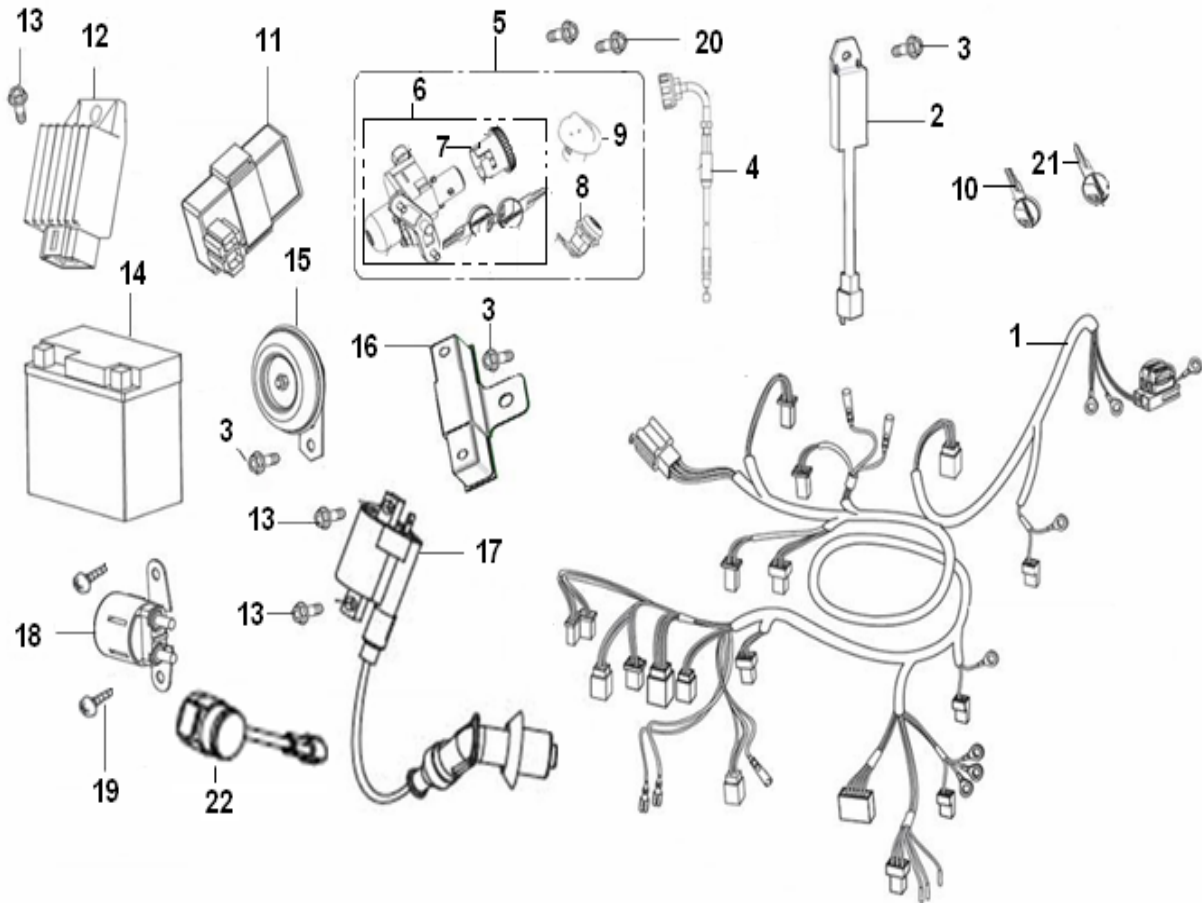
F15 REAR FENDER

NO.	Part No.	DESCRIPTION	QTY.
1	65761B550000	BRACKET, RR. MUDGUARD	1
2	65701B550000	MUDGUARD, REAR UPPER	1
3	08252T090000	BRACKET, LINCENSE PLATE	1
4	86500B300000	REFLECTOR ASSY, REAR	1
5	65702B550000	MUDGUARD, REAR LOWER	1
6	65761B450000	FENDER , REAR4	1
7	B05074201605	SCREW , TAPPING ST4.2×16	2
8	65801T020010	NUT , SPRING ST4.2	7
9	65627B550000	COLLAR	1
10	08011H010000	BOLT	1
11	08011H010000	BOLT	2
12	B04070600055	NUT M6	2
13	B01090601200	BOLT M6×12	5
14	B05074201605	SCREW , TAPPING ST4.2×13	4
15	B01090601665	BOLT M6×16	2
16	65770B450000	BRACKET, REAR FENDER	1



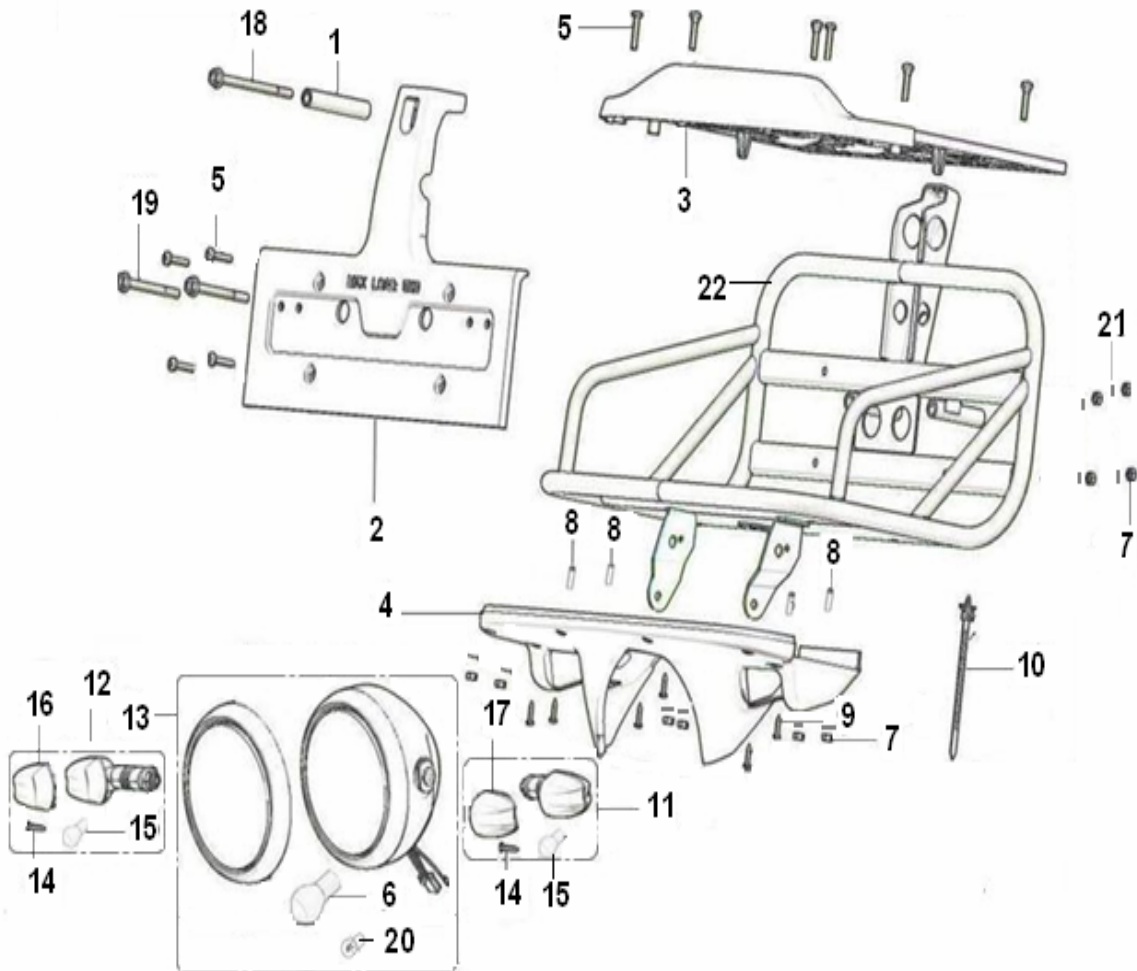
F16

NO.	Part No.	DESCRIPTION	QTY.
1	80000B550000	HEADLIGHT UNIT ASSY	1
2	B24010320000	BULB 12V35/35W	1
3	B24013120000	BULB 12V/5W	1
4	B05074201605	SCREW ST4.2×16	9
5	81100B550000	WINKER ASSY, FR. L	1
6	B05074201305	SCREW , TAPPING ST4.2×13	6
7	B24012320002	BULB PY21W	2
8	81102B550000	LENS, FR. L WINKER	1
9	81300B550000	WINKER ASSY, FR. R	1
10	81302B550000	LENS, FR. R WINKER	1
11	82000B930000	TAIL LIGHT ASSY	1
12	B05074201905	SCREW , TAPPING ST4.2×19	2
13	82040B930000	LENS , TAILLIGHT	1
14	82500T480000	LICENSELIGHT UNIT ASSY	1
15	82005B030000	BULB 12V 21/5W	1
16	B04070600055	NUT M6	3
17	81500B930000	WINKER ASSY, RR. L	1
18	B05004002003	SCREW , TAPPING ST4×20	2
19	81502B930000	LENS, RR. L WINKER	1
20	81004J210000	BULB 12V 10W	2
21	81700B930000	WINKER ASSY, RR.R	1
22	81702B930000	LENS, RR. R WINKER	1
23	B05003501003	SCREW , TAPPING ST3.5×9.5	8



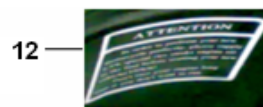
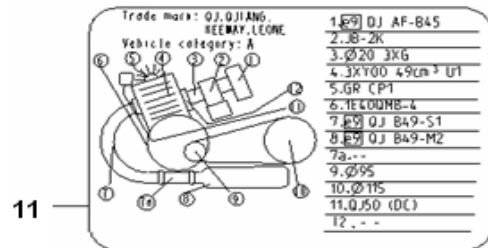
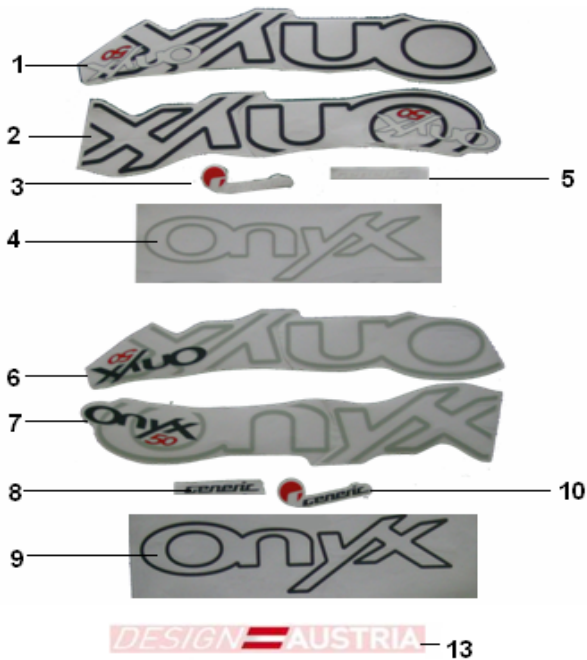
F17 ELECTRIC

NO.	Part No.	DESCRIPTION	QTY.
1	92000B550000	WIRING HARNESS ASSY	1
2	97900N050001	HEATING CONTROLLER, CARBURETOR.	1
3	B01090601265	BOLT M6×12	3
4	58900B550000	CABLE, SEAT LOCK	1
5	88000B550000	LOCK ASSY	1
6	88100N140000	IGNITION SWITCH ASSY	1
7	88101N140000	CAP, IGNITION SWITCH	1
8	88400B450000	LOCK,FRONT LUGGAGE BOX	1
9	50200G220000	CAP ASSY, FUEL TANK	1
10	88900B55000X	BLANK KEY LEFT	1
11	299051070001	CDI UNIT	1
12	299061040002	REGULATOR	1
13	B01090601665	BOLT M6×16	3
14	96100B030010	BATTERY 12V3Ah YTX4L-BS	1
15	95100B130010	HORN ASSY	1
16	96600B310000	DISCHARGE RESISTENCE	1
17	96200B450000	COIL ASSY,IGNITION	1
18	94100B400000	STARTER RELAY ASSY	1
19	B13010501205	SCREW M5×12	2
20	B01070601665	BOLT M6×16	2
21	88900B55001X	BLANK KEY RIGHT	1
22	96400B930001	FLASHER RELAY ASSY	1



F18 SHELF FRONT COMP

NO.	Part No.	DESCRIPTION	QTY.
1	59521B550000	BUSH	1
2	52701B550000	FRONT CARRIER PLATE	1
3	52702B550000	FRONT CARRIER UNDER PLATE	1
4	52704B550000	FRONT CARRIER LIGHT HOLDER	1
5	B02000603025	BOLT M6×30	10
6	B24010520000	BULB 12V35/35W	1
7	B04000600055	NUT 6MM	10
8	47128B450000	COLLAR	4
9	B05074201905	SCREWST4.2×19	6
10	40098B450000	CLAMP 3×150	1
11	81100D010000	FRONT CARRIER INDICATOR (L)	1
12	81300D010000	FRONT CARRIER INDICATOR (R)	1
13	80000J020001	FRONT CARRIER LIGHT	1
14	B05002902003	SCREW , TAPPING ST2.9×10	2
15	B24012420000	BULB 12V/10W	2
16	81102D010000	LAMP COVER, FRONT STEERING LAMP	1
17	81302D010000	LAMP COVER, FRONT STEERING LAMP	1
18	B01090811065	BOLT M8×110	1
19	B01090808065	BOLT M8×80	2
20	B24010321100	BULB 12V1/3W	1
21	B07030000605	WASHER Φ6	10
22	52710B550000	FRONT SHELF COMP	1



F19 STICKER

NO.	Part No.	DESCRIPTION	QTY.
1	05511B55BH00	STICKER SIDE COVER LH	1
2	05512B55BH00	STICKER SIDE COVER RH	1
3	05501B55BH00	STICKER HANDLE COVER	1
4	05521B55BH00	STICKER FRONT COVER BIG	1
5	05522B55BH00	STICKER FRONT COVER SMALL	2
6	05511B55W100	STICKER SIDE COVER LH	1
7	05512B55W100	STICKER SIDE COVER RH	1
8	05501B55W100	STICKER HANDLE COVER	1
9	05521B55W100	STICKER FRONT COVER BIG	1
10	05522B55W100	STICKER FRONT COVER SMALL	2
11	57002B490000	LABEL, ANTI-TAMPERING	1
12	50119B920000	WARMING LABEL, FUEL	1
13	05511B30000C	SIDE COVER	1

