

## FYM-110cc Cross



E-1 CYLINDER HEAD

FYM110EY-110CC

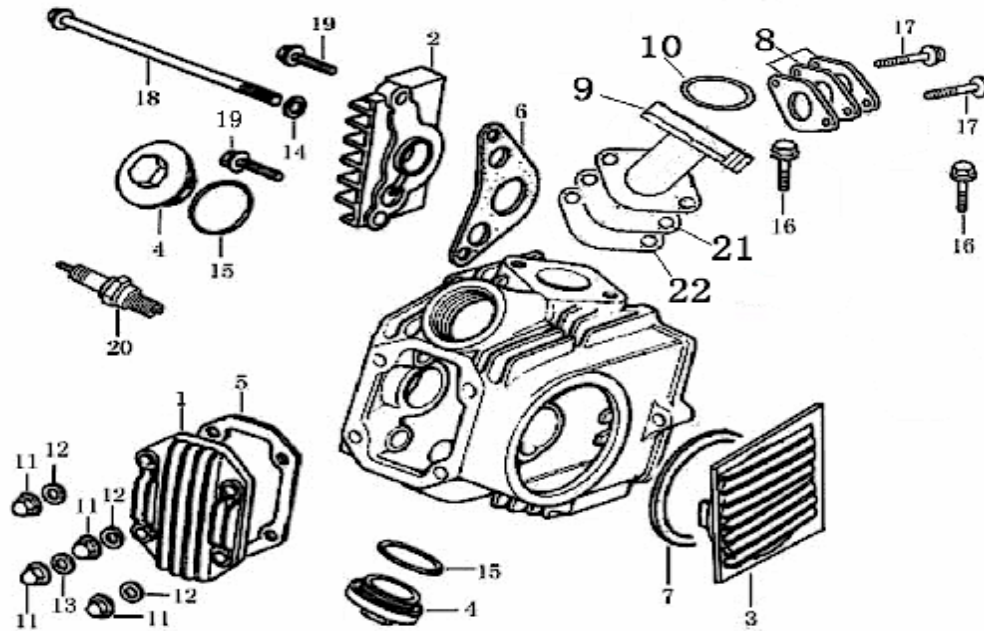


Fig.	PART NO.	DESCRIPTION	Q'TY	Fig.	PART NO.	DESCRIPTION	Q'TY
1	12310-FYHF-000	CYLINDER HEAD COVER	1	8	16102-FYFY2-000	UPPER ISOLATOR BOARD	3
2	12332-FYHF-000	CYLINDER HEAD COVER(R)	1	9	16103-FYFY2-001	PIPE COMP IN	1
3	12331-FYHF-000	CYLINDER HEAD COVER(L)	1	10	90701-25002-000	GASKET PIPE IN	1
4	12335-FYHF-000	VALVE COVER	2	11	GB923-88-M7-L	NUT FLANGE 6M	4
5	12392-FYHF-000	GASKET COVER	1	12	90301-08005-00B	WASHER	3
6	12334-FYHF-000	GASKET R COVER	1	13	90301-08005-0CU	WASHER	1
7	12333-FYHF-000	GASKET L COVER	1	14	90301-08005-000	WASHER	1

E-1 CYLINDER HEAD ACCESSORIES

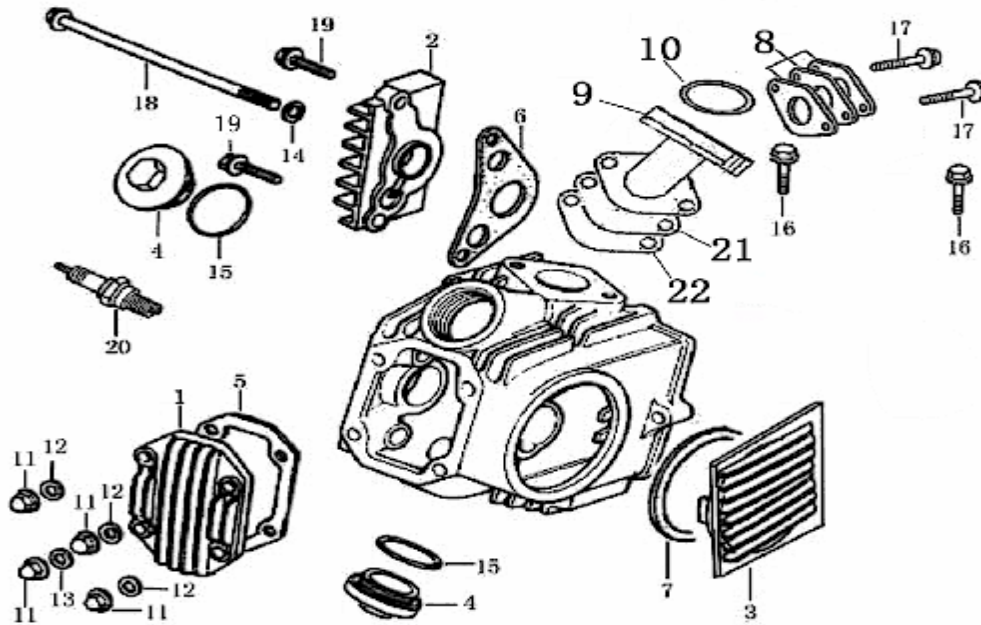


Fig.	PART NO.	DESCRIPTION	Q'TY	Fig.	PART NO.	DESCRIPTION	Q'TY
15	90701-31003-005	O-GASKET	2	22	16101-FYEV2-000	LOWER Insulator Board	1
16	GB5787-86-06025-L	BOLT FLANGE M6x25	2				
17	GB5787-86-06032-L	BOLT FLANGE M6x32	2				
18	GB5787-86-06110-L	BOLT M6*110	1				
19	GB5787-86-06020-L	BOLT FLANGE M6*20	2				
20	30700-FYHF-000	IGNITION PLUG	1				
21	17191-FYHE-000	Washer Inlet Pipe	1				

E-2 CYLINDER - CYLINDER HEAD

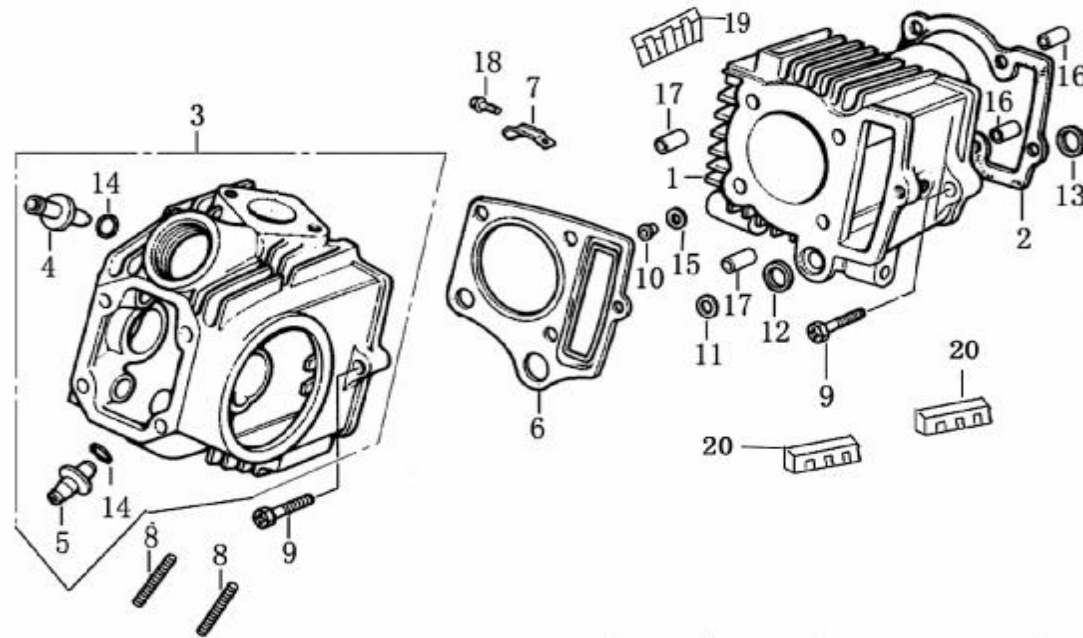


Fig.	PART NO.	DESCRIPTION	Q'TY	Fig.	PART NO.	DESCRIPTION	Q'TY
1	12000-FYHF-000	CYLINDER COMP	1	8	GB/T899-88-06032-B	BOLT STUD M6*32	2
2	12191-FYHF-000	GASKET CYLINDER	1	9	GB19.2-88-06032-L	BOLT	2
3	12200-FYHF-000	CYLINDER HEAD ASSY	1	10	90414-FYHF-000	BUSH 20134	1
4	12201-FYHF-000	GUIDE IN VALVE ASSY	1	11	90128-FYHF-000	BUSH 20128	1
5	12202-FYHF-000	GUIDE EX VAVLE	1	12	12393-FYHF-00A	RECTANGLED JOINT RING	1
6	12391-FYHF-000	GASKET CYLINDER HEAD ASSY	1	13	12393-FYHF-00B	RECTANGLED JOINT RING	1
7	90563-FYHF-000	SETTLE CLIP	1	14	90701-06003-000	O- RING	2

E-2 CYLINDER - CYLINDER HEAD

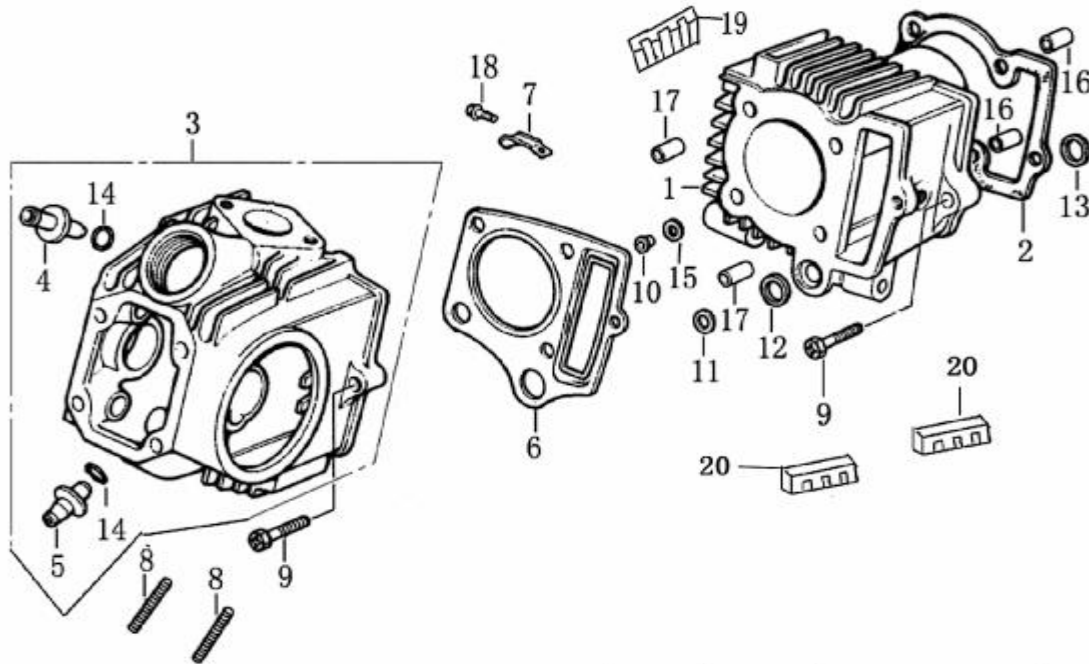


Fig.	PART NO.	DESCRIPTION	Q'TY
15	12395-FYHF-00C	JOINT RING	1
16	90411-08012-000	PIN DOWEL 92401-08012	2
17	90411-08014-000	PIN DOWEL 92401-08014	2
18	GB5787-86-06018-L	BOLT FLANGE M6*18	1
19	12912-FYHF-000	RUBBER CUSHION I	1
20	12913-FYHF-000	RUBBER CUSHION II	2

Fig.	PART NO.	DESCRIPTION	Q'TY
1			
2			
3			
4			
5			
6			
7			
8			
9			
10			
11			
12			
13			
14			
15			
16			
17			
18			
19			
20			

E-3 VALVE - CAMSHAFT

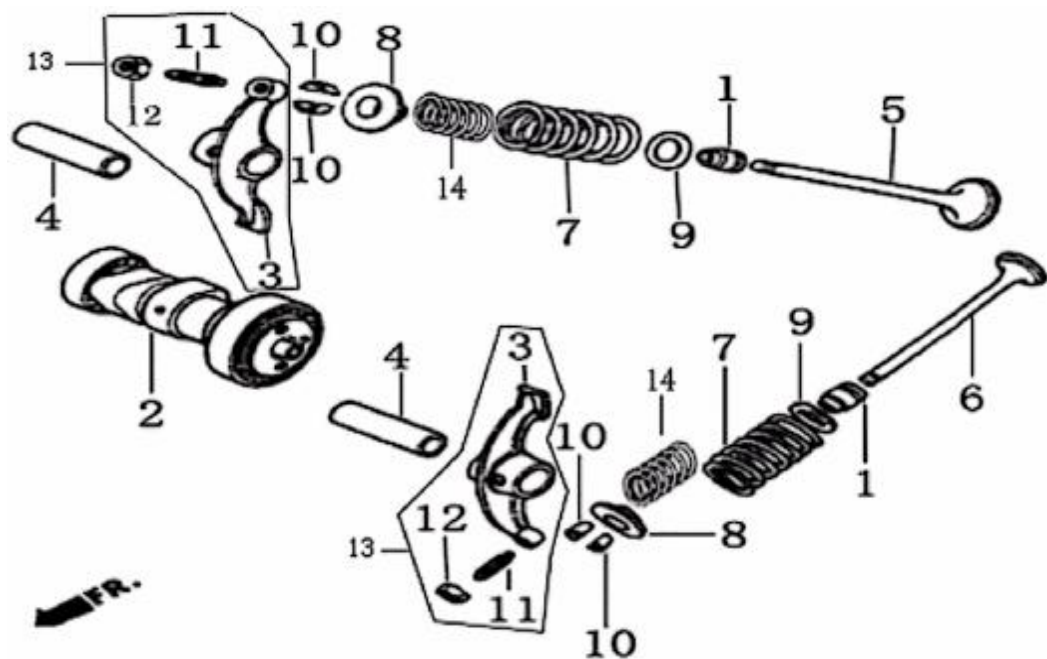


Fig.	PART NO.	DESCRIPTION	Q'TY	Fig.	PART NO.	DESCRIPTION	Q'TY
1	14790-FYHF-000	COTTER VAVLE	2	8	14771-FYHF-000	HOLDER VALVE SPRING I	2
2	14100-FYHF-000	CAMSHAFT VAVLE	1	9	14775-FYHF-000	HOLDER VALVE SPRING II	2
3	14430-FYHF-000	ARM VAVLE ROCKER	2	10	14781-FYHF-000	COTTER VAVLE	4
4	14450-FYHF-000	SHAFT ROCKER ARM	2	11	14436-FYHF-000	SCREW TAPPER ADJUSTING	2
5	14711-FYHF-000	INLET VALVE	1	12	14437-FYHF-000	NUT ADJUSTING	2
6	14721-FYHF-000	OUTLET VALVE	1	13	14430-FYHF-000	ARM VAVLE ROCKER	2
7	14751-FYHF-000	SPRING VAVLE OUTER	2	14	14752-FYHF-000	SPRING	2

E-4

## CHAIN &amp; TENSIONER FOR CAMSHAFT

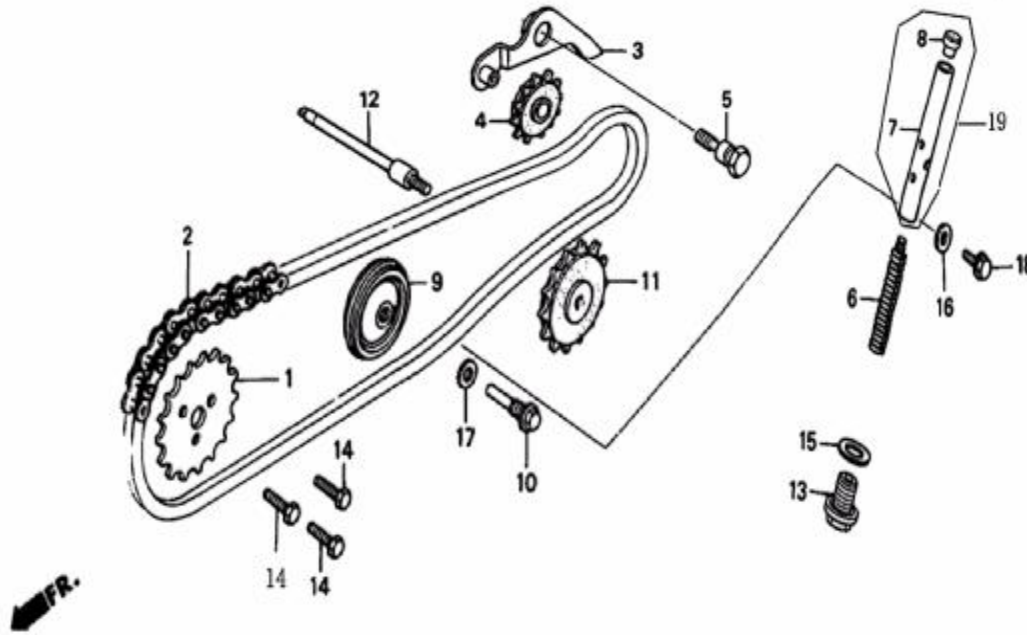


Fig.	PART NO.	DESCRIPTION	Q'TY	Fig.	PART NO.	DESCRIPTION	Q'TY
1	14109-FYHF-000	TIMING DRIVEN SPROKET	1	11	15133-FYHF-000	CHAIN WHEEL FUEL PUMP DRIVE	1
2	14440-FYHF-000	ROLLER CHAIN	1	12	15114-FYHF-000	SHAFT CHAIN WHEEL FOR PUMP	1
3	14530-FYHF-000	ARM CHAIN TENSION	1	13	90111-12014-00C	SEALING BOLT M12*14	1
4	14541-FYHF-000	ROLL CHAIN TENSION	1	14	GB5783-85-05012-B	BOLT M5*12	3
5	14542-FYHF-000	SPINDLE CHAIN TENSION	1	15	90301-12-00B	WASHER 12	1
6	14543-FYHF-000	SPRING CHAIN TENSIONAL BAR	1	16	90301-6-00B	WASHER 6	1
7	14510-FYHF-000	TENSIONAL BAR ASSY	1	17	90301-8-00B	WASHER 8	1
8	14512-FYHF-000	TENSIONAL BAR HEAD	1	18	GB5787-06014-00L	BOLT FLANGE M6*14	1
9	14560-FYHF-000	ROLL GUIDE ASSY	1	19	14510-FYHF-000	TENSIONAL BAR ASSY	1
10	14561-FYHF-000	AXIS PIN ROLL GUIDE	1				

E-5 CRANKCASE & OIL PUMP

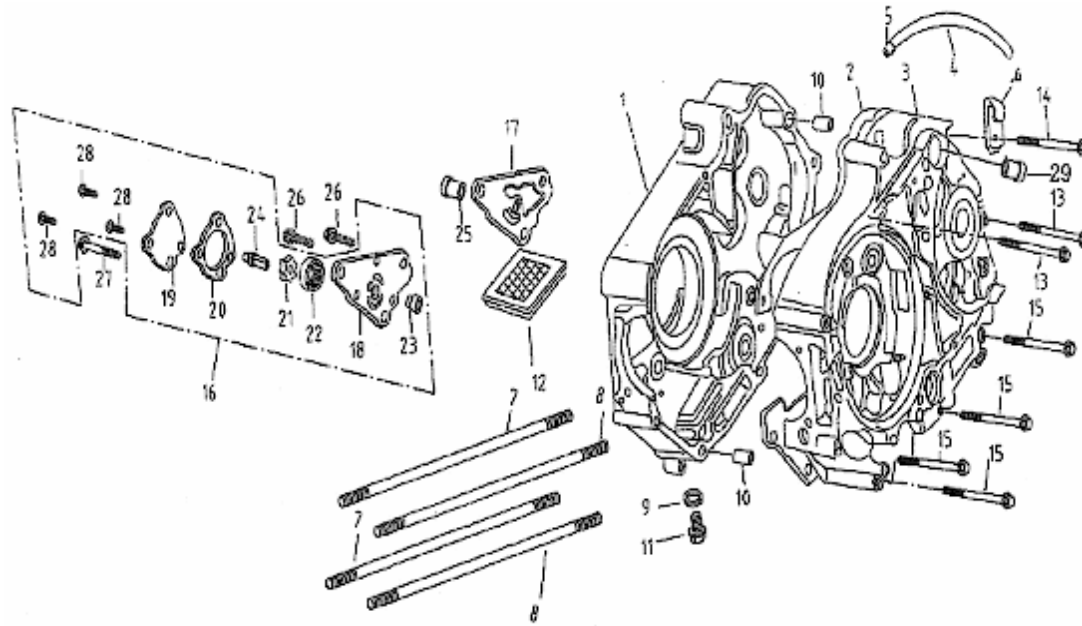


Fig.	PART NO.	DESCRIPTION	Q'TY	Fig.	PART NO.	DESCRIPTION	Q'TY
1	11100-FYHF-00A	CRANKCASE ASSY R	1	6	11421-FYHF-000	CILP PIPE	1
1	11100-FYHF-00B	CRANKCASE ASSY R	1	7	GB899-88-060188-C	CYLINDER BOLT STUD	2
2	11191-FYHF-000	GASKET CRANKCASE	1	8	GB899-88-060196-C	CYLINDER BOLT STUD	2
3	11210-FYHF-00A	CRANKCASE L	1	9	90301-12-000	GASKET	1
3	11210-FYHF-00B	CRANKCASE L	1	10	90411-10014-000	PIN DOWEL 10*14	2
4	11211-FYHF-000	BREATHER TUBE	1	11	90115-12015-00C	BOLT DRAIN PLUG	1
5	11212-FYHF-000	OVERFLOW CILP PIPE	1	12	15160-FYHF-000	SCREEN OIL FILTER ASSY	1



E-5 CRANKCASE & OIL PUMP

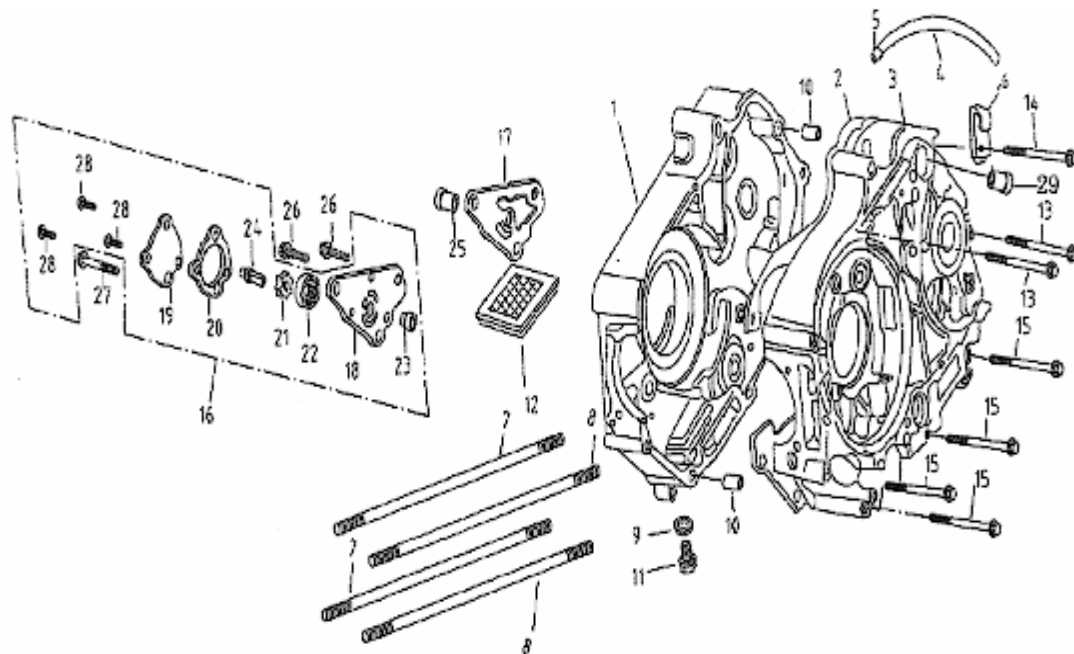


Fig.	PART NO.	DESCRIPTION	Q'TY	Fig.	PART NO.	DESCRIPTION	Q'TY
13	GB5787-88-06060-L	BOLT FLANGE M6*60	2	23	15111-FYHF-000	BUSH OIL PUMP B2.5*10	1
14	GB5787-88-06050-L	BOLT FLANGE M6*50	1	24	15109-FYHF-000	SHAFT OIL PUMP	1
15	GB5787-88-06065-L	BOLT FLANGE M6*65	3	25	15112-FYHF-000	BUSH OIL PUMP DRIVE	1
16	15100-FYHF-000	PUMP ASSY OIL	1	26	GB818-85-06016-B	SCREW TAPPING M6x16	2
17	15116-FYHF-000	GASKET PUMP OIL	1	27	GB818-85-06022-B	SCREW TAPPING M6x22	1
18	15110-FYHF-000	BODY OIL PUMP	1	28	GB820-85-05010-B	SCREW TAPPING M6x10	3
19	15101-FYHF-000	COVER PUMP OIL	1	29	11411-FYHF-000	PLUG	1
20	15115-FYHF-000	GASKET COVER PUMP	1				
21	15107-FYBHF-000	ROTOR OIL PUMP INNER	1				
22	15108-FYHF-000	ROTOR OIL PUMP OUTER	1				

E-6 CRANKSHAFT - PISTON

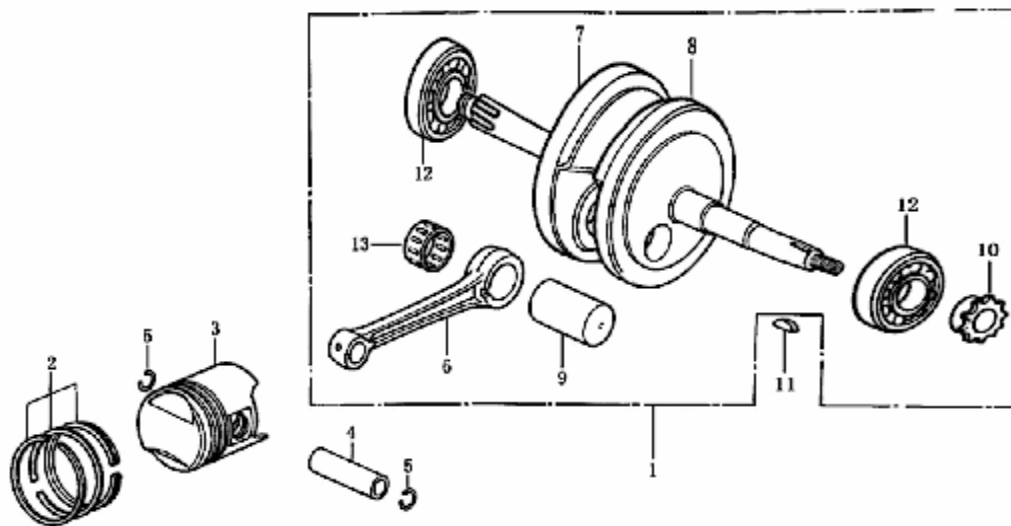


Fig.	PART NO.	DESCRIPTION	Q'TY	Fig.	PART NO.	DESCRIPTION	Q'TY
1	13200-FYHF-000	CRANKSHAFT COMP	1	10	14201-FYHF-000	DRIVING WHELL	1
2	13120-FYHF-000	RING PISTON COMP	1	11	13206-FYHF-000	WOODRUFF KEY	1
3	13101-FYHF-000	PISTON	1	12	GB276-94-6304	BRARING 6304	2
4	13111-FYHF-000	PIN PISTON	1	13	13203-FYHF-000	NEEDLE BEARING	1
5	13112-FYHF-000	CLIP PISTON PIN	2				
6	13201-FYHF-000	LINK ROD	1				
7	13204-FYHF-000	CRANKSHAFT R	1				
8	13205-FYHF-000	CRANKSHAFT R	1				
9	13202-FYHF-000	PIN CRANKSHAFT	1				

E-7 STARTING MOTOR

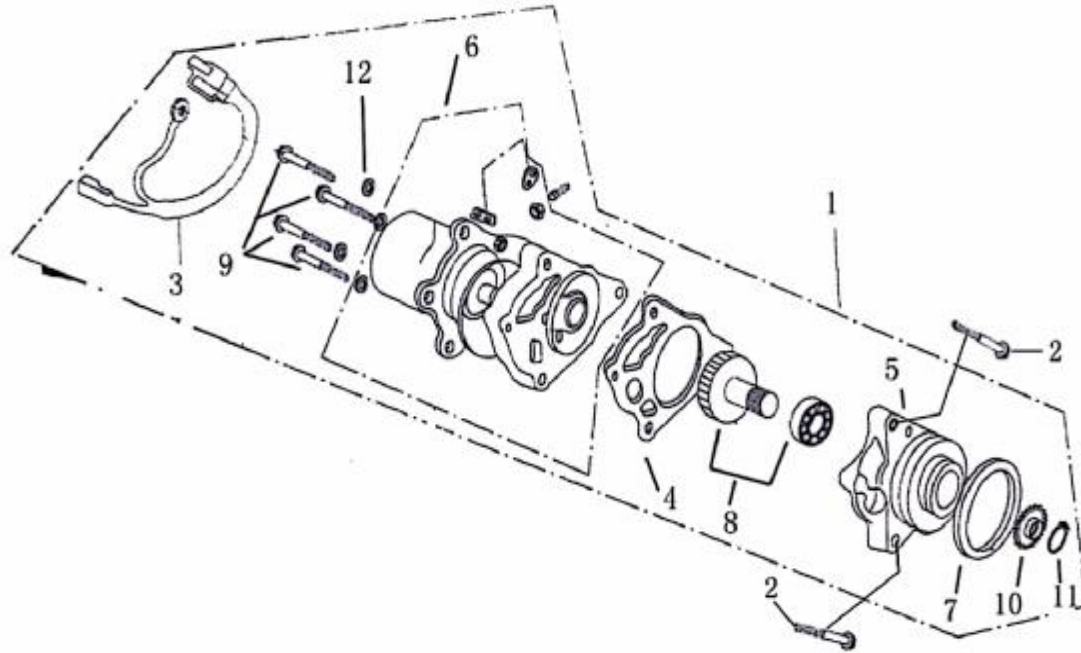


Fig.	PART NO.	DESCRIPTION	Q'TY	Fig.	PART NO.	DESCRIPTION	Q'TY
1	31200-FYHF-000	STARTING MOTOR ASSY	1	8	31230-FYHF-000	GEAR ASSY	1
2	GB5787-88-06025-L	BOLT FLANGE M6x25	2	9	GB823-86-05030-L	SCREW M5x30	4
3	32430-FYHF-000	ELECTRICAL WIRE	1	10	31231-FYHF-000	STARTING WHEEL	1
4	31232-FYHF-000	RUBBER WASHER	1	11	90311-FYHF-000	CHECK RING	1
5	31203-FYHF-000	COVER END	1	12	90313-FYHF-000	SPRING WASHER	4
6	31201-FYHF-000	STARTER MOTOR	1				
7	31233-FYHF-000	RUBBER RING	1				

E-8 LEFT CRANKCASE COVER & MAGNETO

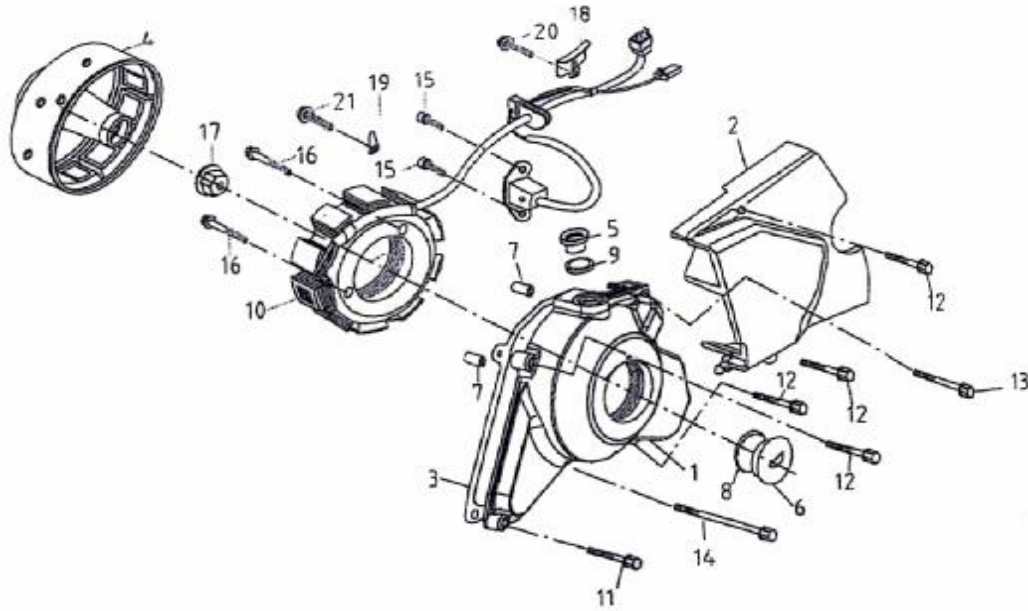


Fig.	PART NO.	DESCRIPTION	Q'TY	Fig.	PART NO.	DESCRIPTION	Q'TY
1	11400-FYHF-00A	COVER FRONT LEFT(BLACK)	1	6	11446-FYHF-000	COVER SIGHT HOLE	1
1	11400-FYHF-00B	COVER FRONT LEFT(SILVER)	1	7	90411-08014-000	PIN DOWEL 8*14	2
2	11430-FYHF-00A	COVER FEAR LEFT(BLACK)	1	8	90701-27002-000	O-RING GASKET 27*2	1
2	11430-FYHF-00B	COVER FEAR LEFT(SILVER)	1	9	90701-13002-000	O-RING GASKET UPPER 13.8*2.5	1
3	11495-FYHF-000	GASKET COVER FRONT LEFTL	1	10	31120-FYHF-000	STATOR ASSY	1
4	31110-FYHF-000	ROTOR ASSY	1	11	GB5787-86-06025-00L	BOLT FLANGE M6*25	1
5	11445-FYHF-000	COVER SIGHT HOLE UPPER	1	12	GB5787-86-06032-00L	BOLT FLANGE M6*32	4

E-8 LEFT CRANKCASE COVER & MAGNETO

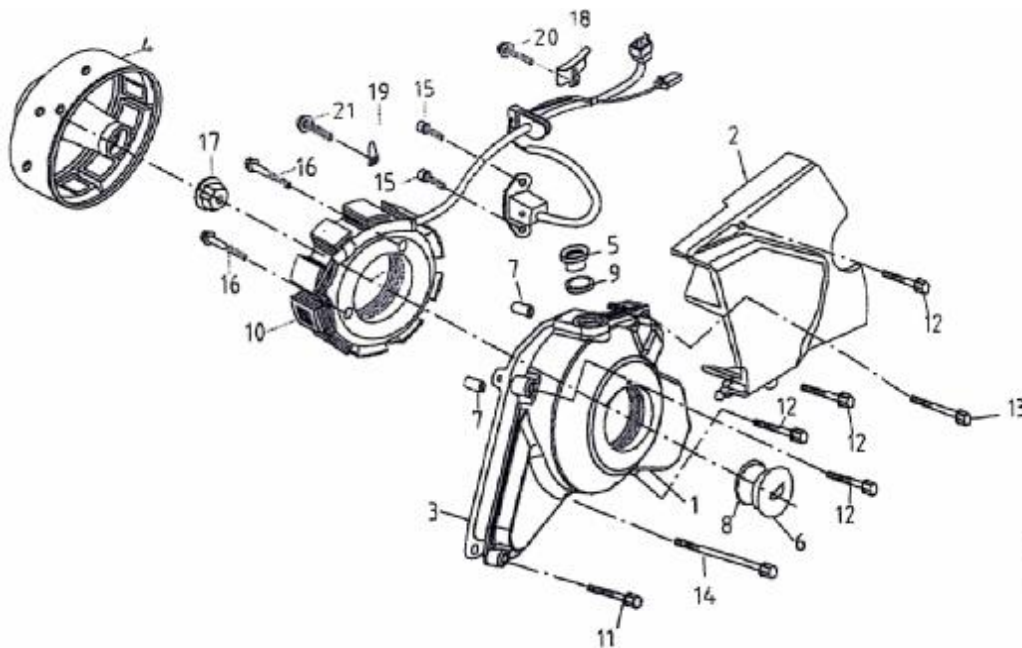


Fig.	PART NO.	DESCRIPTION	Q'TY	Fig.	PART NO.	DESCRIPTION	Q'TY
13	GB5787-86-06050-L	BOLT FLANGE M6*50	1	20	GB5787-86-06012-L	BOLT HEX M6*12	1
14	GB5787-86-06105-L	BOLT FLANGE M6*105	1	21	GB818-85-06005-B	SCREW TAPPING M6*5	1
15	GB818-85-05016-B	SCREW TAPPING M5x16	2				
16	GB5787-86-06020-B	BOLT HEX M6*20	1				
17	GB/T41-86-M10-C	NUT HEX M10x1.25	1				
18	31116-FYBF-000	PLATE PRESSURE	2				
19	31117-FYBF-000	PLATE FIXING	1				

E-9 ELECTRIC ELECTRIC STARTING ASSY

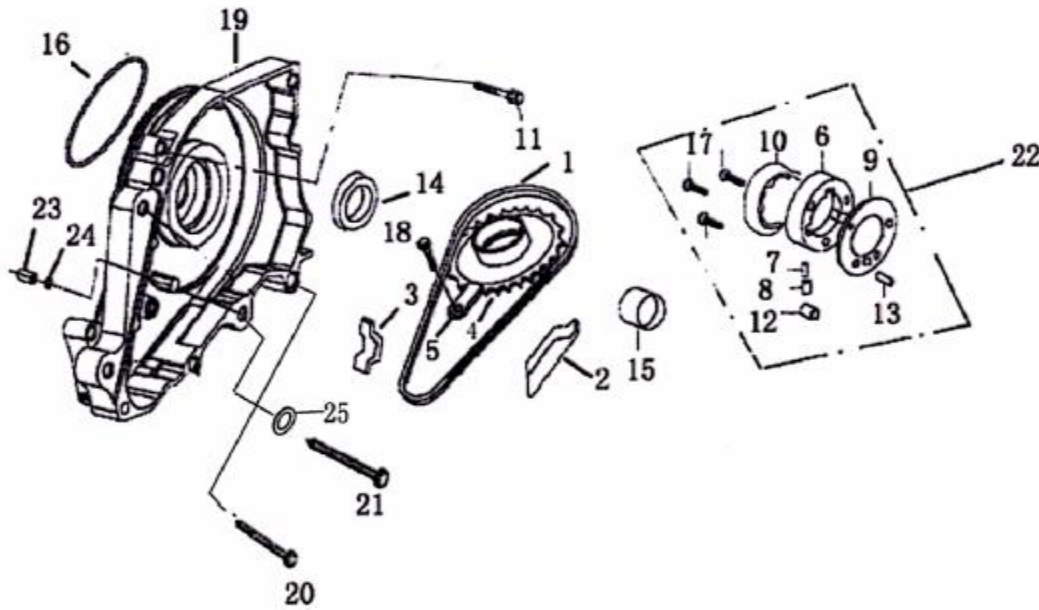


Fig.	PART NO.	DESCRIPTION	Q'TY	Fig.	PART NO.	DESCRIPTION	Q'TY
1	31210-FYHF-000	DRIVING CHAIN	1	8	28135-FYHF-000	CONICAL VALVE SEAT	3
2	28132-FYHF-000	GUIDE PLATE CHAIN	1	9	28125-FYHF-000	WASHER CHECK	1
3	28134-FYHF-000	TENSION PLATE CHAIN	1	10	28131-FYHF-000	COVER CHECK	1
4	28121-FYHF-000	DRIVEN WHEEL ASSY	1	11	GB5878-88-06025-L	BOLT M6x25	3
5	23802-FYHF-000	LIMITED PLATE	1	12	28123-FYHF-000	ROLLER	1
6	28128-FYHF-000	BODY CHECK ASSY	1	13	90411-06025-000	PIN DOWEL M6x25 (92140-06025B)	1
7	28122-FYHF-000	BRACING SPRING	3	14	90801-3042-004	OIL SEAL 30x42x4.5	1

E-9 ELECTRIC STARTING ASSY

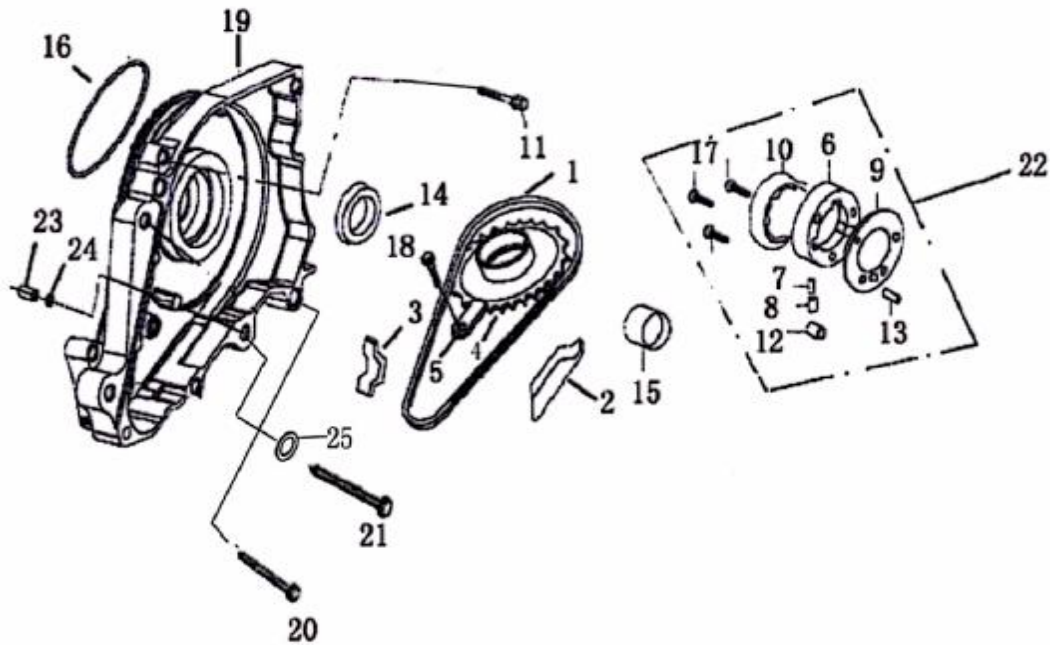


Fig.	PART NO.	DESCRIPTION	Q'TY	Fig.	PART NO.	DESCRIPTION	Q'TY
15	90801-190030-005	OIL SEAL 18.9*30*5	1	21	GB5787-85-06105-L	BOLT M6x105	1
16	90701-FYHF-000	O-RING GASKET	1	22	28120-FYHF-000	SINGLE DIRECTION COMP	1
17	GB5878-88-06016-B	SCREW TAPPING M6x20	3	23	90801-08014-000	PIN DOWEL 8*14	1
18	GB5878-88-06012-B	BOLT FLANGE M6*12	1	24	90701-08002-000	SEAL RING 8*2	1
19	11251-FYHF-00A	COVER	1	25	28105-FYHF-000	GASKET	1
19	11251-FYHF-00B	COVER	1				
20	GB5787-85-06035-L	BOLT M6x35	1				

E-10 RIGHT CRANKCASE COVER

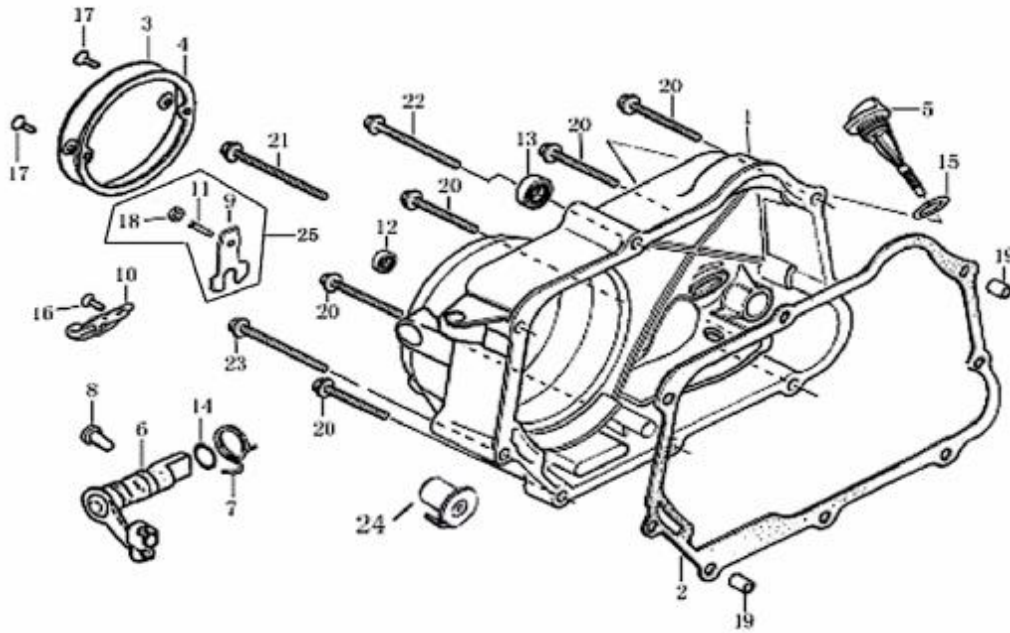


Fig.	PART NO.	DESCRIPTION	Q'TY	Fig.	PART NO.	DESCRIPTION	Q'TY
1	11300-FYHF-00A	CRANKCASE COVER RIGHT(BLACK)	1	7	21416-FYHF-000	SPRING CAM SHAFT CLUTCH	1
1	11300-FYHF-00B	CRANKCASE COVER RIGHT(SILVER)	1	8	21411-FYHF-000	DOWEL PIN	1
2	11393-FYHF-000	GASKET R CRANKCASE COVER	1	9	21448-FYHF-000	SPREADER PLATE CLUTCH	1
3	11356-FYHF-000	CLUTCH COVER	1	10	21449-FYHF-000	PRESSURE PLATE CLUTCH	1
4	11357-FYHF-000	GASKET CLUTCH COVER	1	11	21447-FYHF-000	SCREW ADJUSTING	1
5	15155-FYHF-000	GAUGE OIL LEVER	1	12	90801-11021-005	OIL SEAL 11*21*4	1
6	21421-FYHF-000	CAM SHAFT CLUTCH ASSY	1	13	90801-13024-005	OIL SEAL 13.8*24*5	1



E-10 RIGHT CRANKCASE COVER

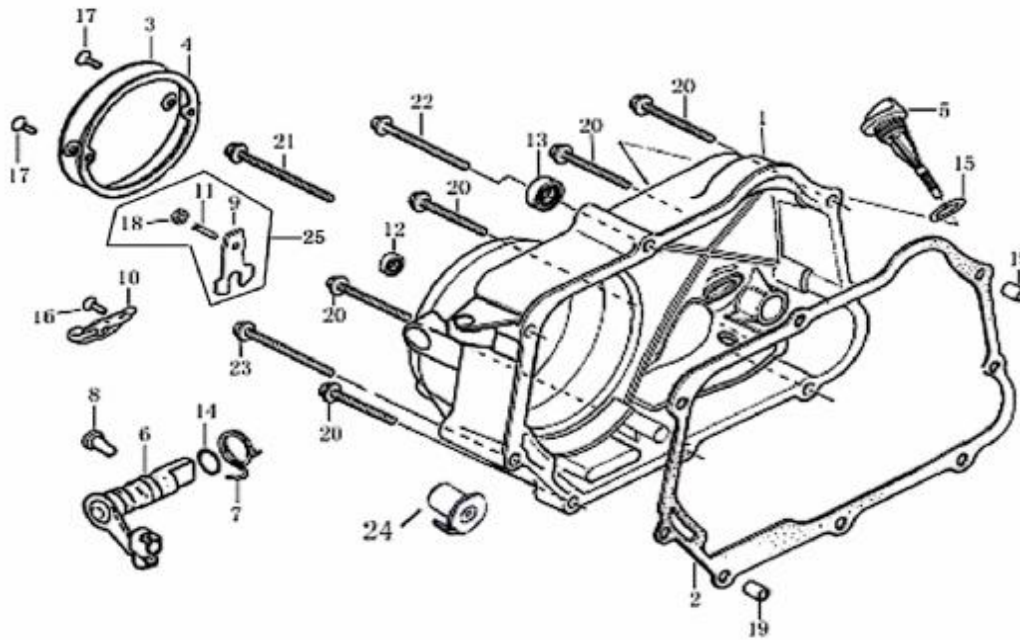


Fig.	PART NO.	DESCRIPTION	Q'TY	Fig.	PART NO.	DESCRIPTION	Q'TY
14	90701-14001-000	O-GASKET 14*1,5	1	21	GB5878-86-06055-L	BOLT FLANGEM6*55	1
15	90701-18003-000	O-RING GASKET 18*3,6	1	22	GB5878-86-06065-L	BOLT FLANGEM6*65	1
16	GB818-85-06016-T	SCREW TAPPING M6x16	1	23	GB5878-86-06100-L	BOLT FLANGEM6*100	1
17	GB818-85-05012-B	SCREW TAPPING M5x12	2	24	21451-FYBF-000	STEM CLUTCH LIFTER	1
18	GB41-86-M8-L	NUT FLANGE M8	1	25	21448-FYHF-000	SPREADER PLATE CLUTCH	1
19	90411-08012-000	PIN DOWEL Ø8*12	2				
20	GB5787-86-06040-L	BOLT FLANGE M6*40	5				

E-11 CLUTCH

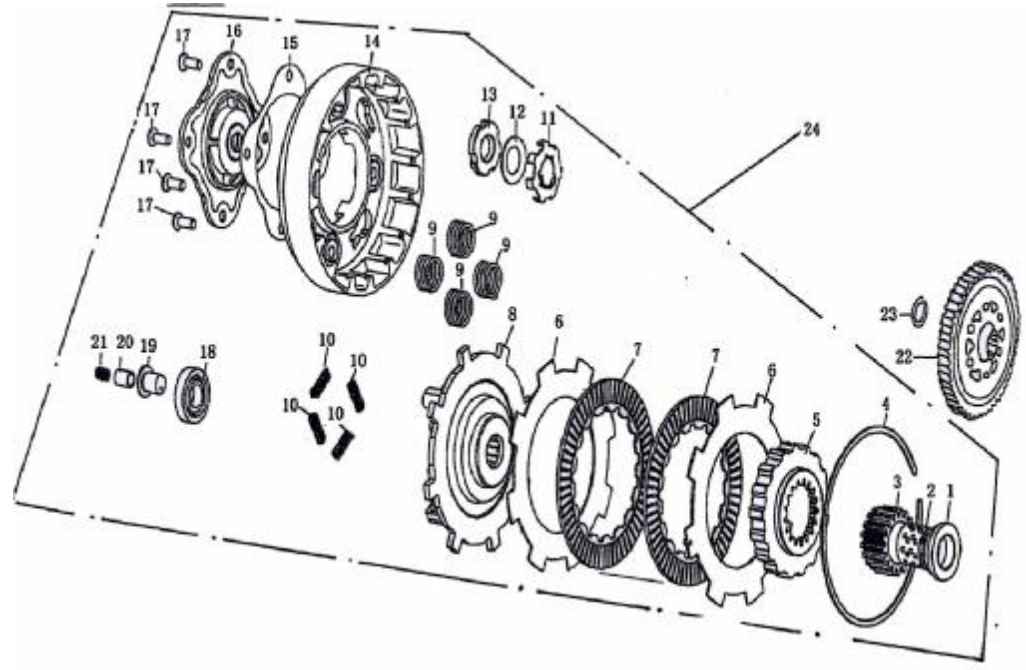


Fig.	PART NO.	DESCRIPTION	Q'TY	Fig.	PART NO.	DESCRIPTION	Q'TY
1	21116-FYHF-000	BUSH	1	8	21221-FYHF-000	DRIVING DISC	1
2	21117-FYHF-000	BUSH	1	9	21225-FYHF-000	SPRING CLUTCH	4
3	21227-FYHF-000	DRIVING GEAR (18T)	1	10	21223-FYHF-000	DAMPING SPRING	4
4	21115-FYHF-000	ELASTICITY RING	1	11	21308-FYHF-000	THRUST WASHER	1
5	22210-FYHF-000	OUTER COVER DIRIVING GEAR	1	12	90315-FYHF-000	DISH WASHER	1
6	21217-FYHF-000	UPPER PLATE CLUTCH	2	13	90209-14001-000	RING NUT	1
7	21224-FYHF-000	Friction Plate	2	14	21111-FYHF-000	COVER CLUTCH OUTER	1

E-11 CLUTCH

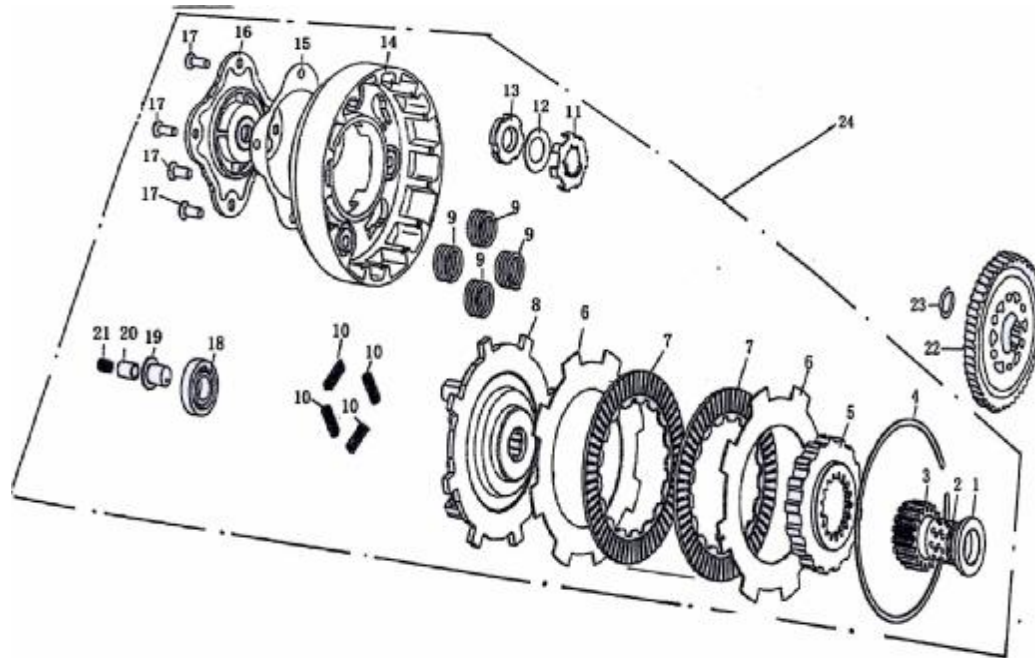


Fig.	PART NO.	DESCRIPTION	Q'TY	Fig.	PART NO.	DESCRIPTION	Q'TY
15	21103-FYHF-000	GASKET HEAD COVER	1	22	22226-FYHF-000	DRIVEN GEAR COMP	1
16	21102-FYHF-000	HEAD COVER CLUTCH	1	23	28106-FYHF-000	CHECK RING	1
17	GB820-85-05012-B	SCREW TAPPING( M5*12)	4	24	21000-FYHF-000	CLUTCH ASSY	1
18	GB/T276-94-6000	BEARING 6000	1				
19	21237-FYHF-000	OIL THROUGH SLEEVE PIPE	1				
20	21235-FYBF-000	OIL THROUGH PIPE	1				
21	21234-FYHF-000	SPRING	1				

E-12 SPEED-DOWN MECHANISM

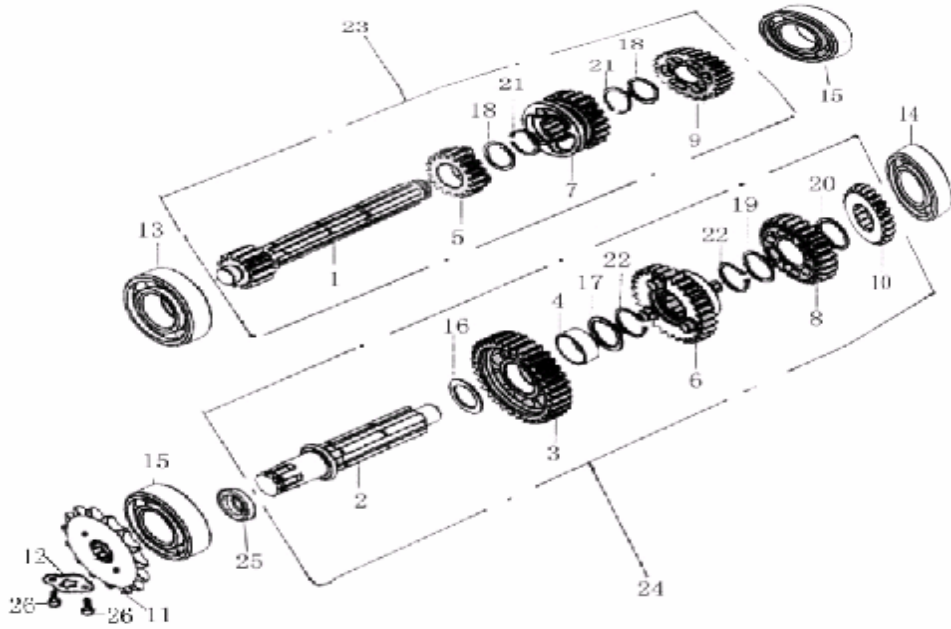


Fig.	PART NO.	DESCRIPTION	Q'TY	Fig.	PART NO.	DESCRIPTION	Q'TY
1	23501-FYHF-000	MAIN SHIFT TRANSHISSION(11T)	1	8	23608-FYHF-000	DRIVEN 3TH GEAR THIRD(27T)	1
2	23601-FYHF-000	SHAFT COUNTER TRANSMILLION	1	9	23505-FYHF-000	DRIVING 4TH GEAR FORTH(23T)	1
3	23611-FYHF-000	GEAR 1. COUNER TRANSMILLION 36T	1	10	23605-FYHF-000	DRIVEN 4TH GEAR FORTH(24T)	1
4	23614-FYHF-000	GEAR BUSH	1	11	41205-FYFY2-000	SPROCKET DRIVE(11T) /16T	1
5	23509-FYHF-000	DRIVING 2TH GEAR SECOND (16T)	1	12	23681-FYHF-000	SPROCKET DRIVE PLATE	1
6	23603-FYHF-000	DRIVEN 2TH GEAR SECOND (31T)	1	13	GB/T276-94-6001	BEARING 6001	1
7	23504-FTHF-000	DRIVING 3TH GEAR THIRD (20T)	1	14	GB/T276-94-6201	BEARING 6201	1

E-12 SPEED-DOWN MECHANISM

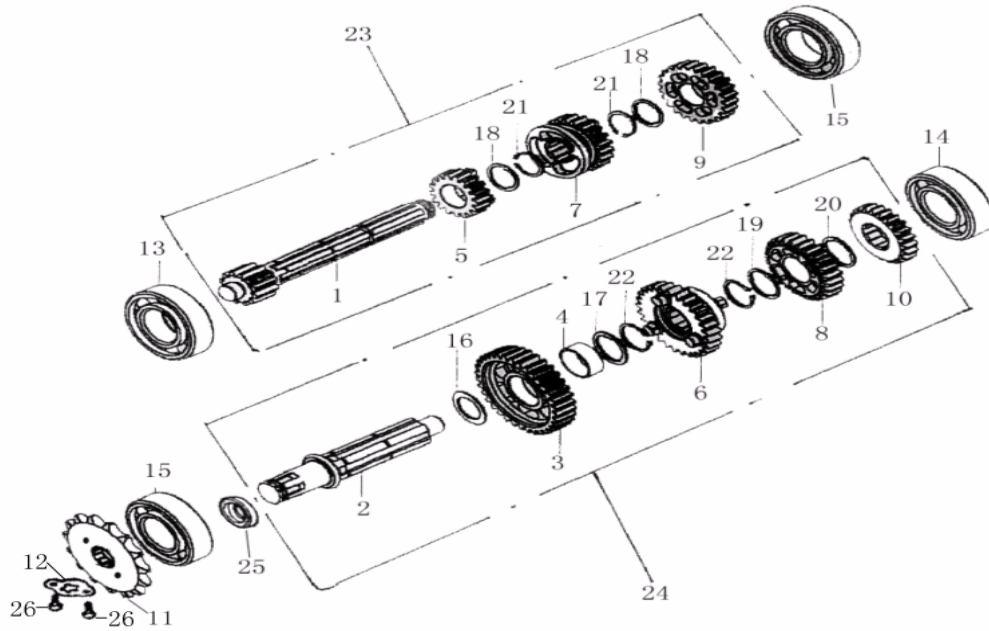


Fig.	PART NO.	DESCRIPTION	Q'TY	Fig.	PART NO.	DESCRIPTION	Q'TY
15	GB/T276-94-6203	BEARING 6203	2	22	23609-FYHF-000	CHECK RING	1
16	23609-FYHF-000	CHECK RING	1	23	23500-FYHF-000	MAIN SHAFT ASSY	1
17	23606-FYHF-001	WASHER THRUST	1	24	23600-FYHF-000	COUNTER SHAFT ASSY	1
18	23507-FYHF-000	WASHER 1THTHRUST	1	25	90801-1729-005	OIL SEAL 17*29*5	1
19	23606-FYHF-002	WASHER 2TH THRUST	1	26	GB5781-86-06008-C	BOLT HEX M6*8	2
20	23606-FYHF-003	WASHER 3TH THRUST	1				
21	23506-FYHF-000	CHECK RING	2				

E-13 SHIFTING GEARS MECHANISM

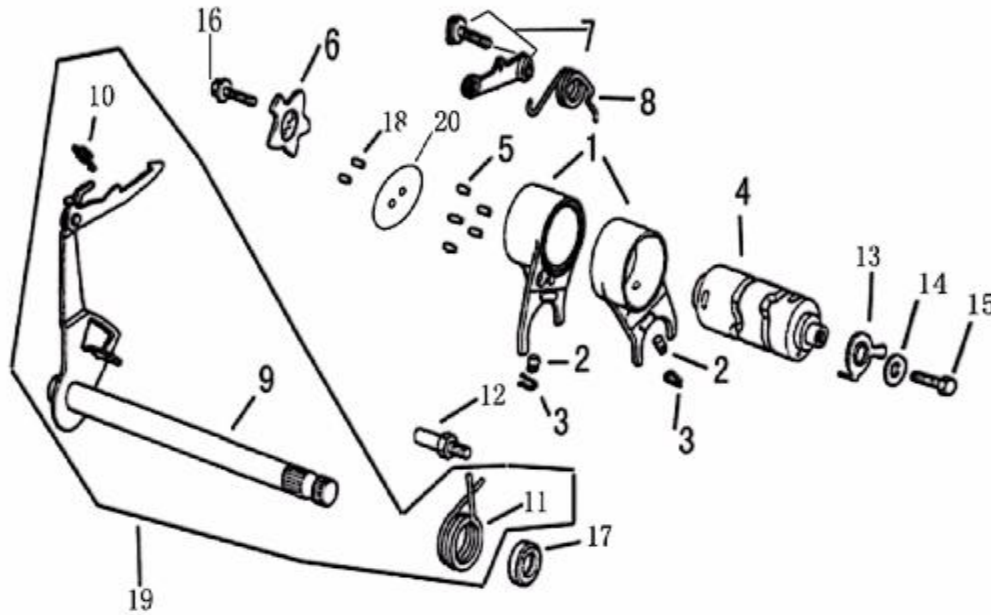


Fig.	PART NO.	DESCRIPTION	Q'TY	Fig.	PART NO.	DESCRIPTION	Q'TY
1	23740-FYHF-000	FORK SPREADER GEAR	2	8	23731-FYHF-000	RETURN SPRING	1
2	23747-FYHF-000	PIN GUIDE	2	9	23712-FYHF-000	SHIFT ARM ASSY	1
3	23748-FYHF-000	CLAMP SPRING	2	10	23722-FYHF-000	SPRING	1
4	23701-FYHF-000	DRUM VIRIABLE SPEED	1	11	23716-FYHF-000	RETURN SPRING	1
5	23746-FYHF-000	PIN SCREW φ4x14.1	5	12	23723-FYHF-000	BOLT LOCK	1
6	23711-FYHF-000	FIXING POSITON CAM	1	13	31322-FYHF-000	MOVING CONTACT	1
7	23730-FYHF-000	LOCKING PLATE DRUM	1	14	23718-FYHF-000	GASKET	1

E-13 SHIFTING GEARS MECHANISM

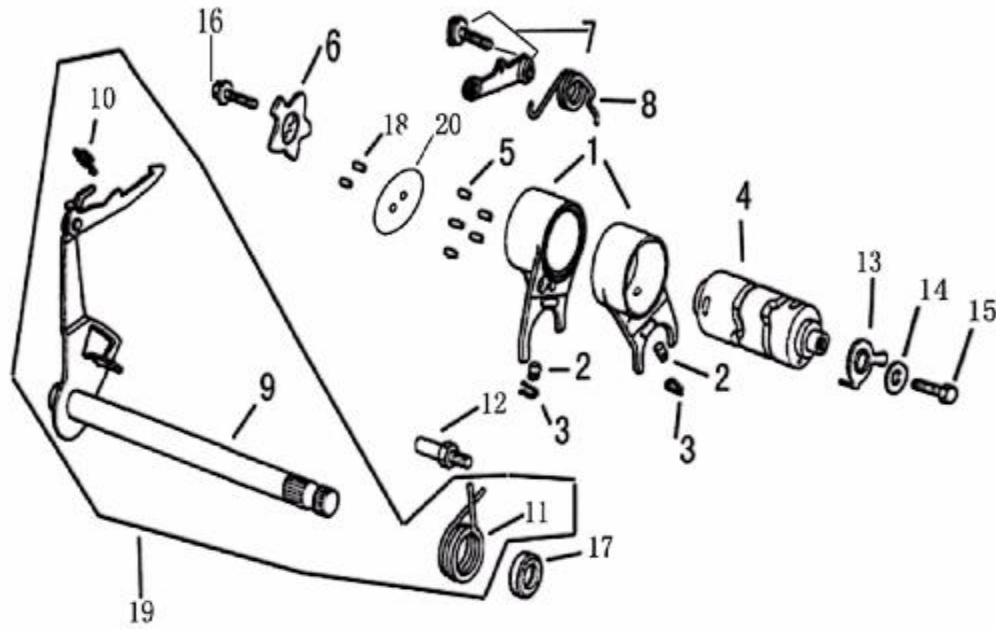


Fig.	PART NO.	DESCRIPTION	Q'TY	Fig.	PART NO.	DESCRIPTION	Q'TY
15	90152--06016-00B	SOCKET BOLT M6x16	1				
16	GB5787-88-06014-L	SCREW M6x14	1				
17	90801-11024-010	OIL SEAL 11.6*24*10	1				
18	23706-FYHF-000	Pin 3x8.5	2				
19	23700-FYHF-000	SHIFTING SHAFT COMP.	1				
20	23719-FYHF-000	LOCATING PLATE	1				

E-14 KICK STARTING MECHANISM

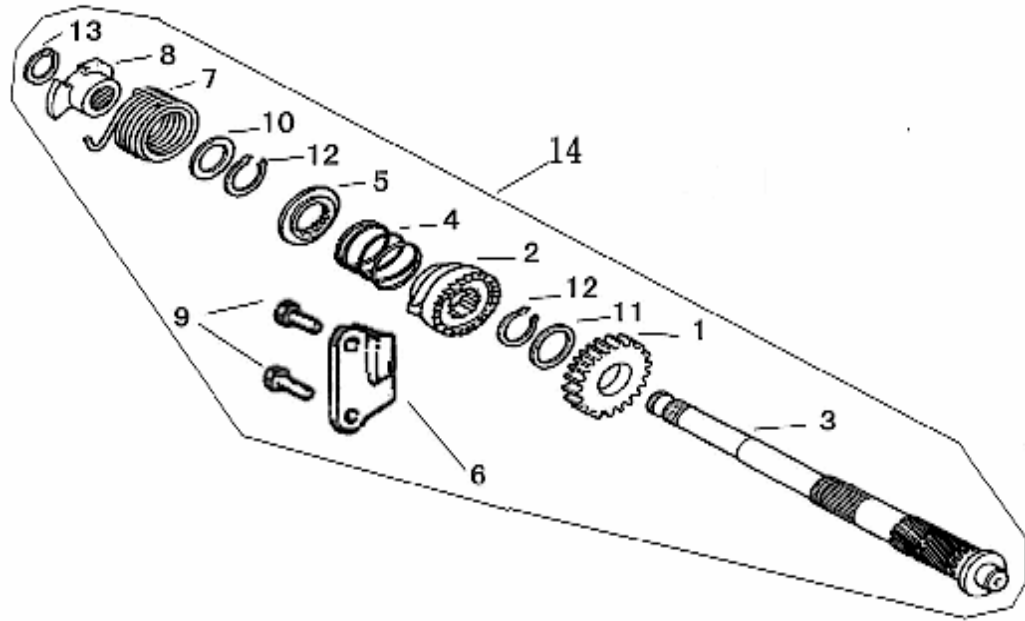


Fig.	PART NO.	DESCRIPTION	Q'TY	Fig.	PART NO.	DESCRIPTION	Q'TY
1	28114-FYHF-000	GEAR STARTING	1	8	28115-FYHF-000	SPRING SEAT SHAFT STARTING	1
2	28119-FYHF-000	RATCHET WHEEL	1	9	GB5878-06020-00B	BOLT FLANGE M6x12	2
3	28112-FYHF-000	SHAFT STARTING	1	10	28103-FYHF-000	WASHER	1
4	28167-FYHF-000	SPRING	1	11	28113-FYHF-000	WASHER	1
5	28149-FYHF-000	SPRING SEAT RATCHET WHEEL	1	12	28109-FYHF-000	WASHER	2
6	28164-FYHF-000	GUIDE PLATE RATCHET WHEEL	1	13	28106-FYHF-000	WASHER	1
7	28116-FYHF-000	RETURN SPRING	1	14	28100-FYHF-000	KICK AXLE COMP	1



F01 Front Fender

FYM110EY (110CC)

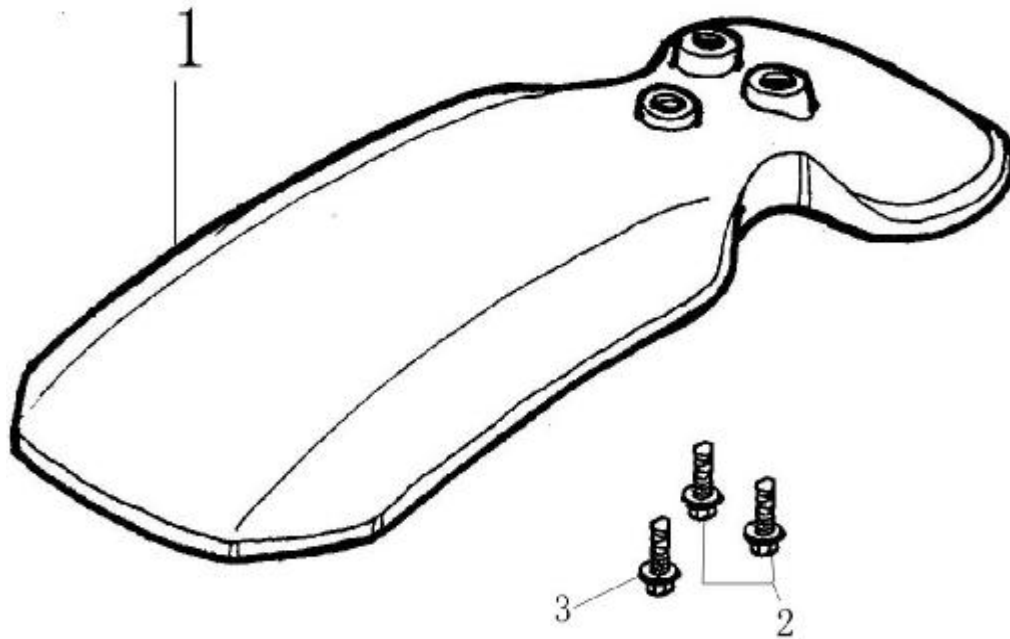


Fig.	PART NO.	DESCRIPTION	Q'TY	Fig.	PART NO.	DESCRIPTION	Q'TY
1	61100-FYFY2-00G	FENDER REAR, GREEN	1				
1	61100-FYFY2-00R	FENDER REAR, RED	1				
1	61100-FYFY2-00B	FENDER REAR, BLUE	1				
1	61100-FYFY2-00Y	FENDER REAR, YELLOW	1				
2	90111-FYFY2-06015	Bolt M6×15	2				
3	GB5787-86-06012-B	Bolt M6×12	1				

F02 Seat & Side Cover

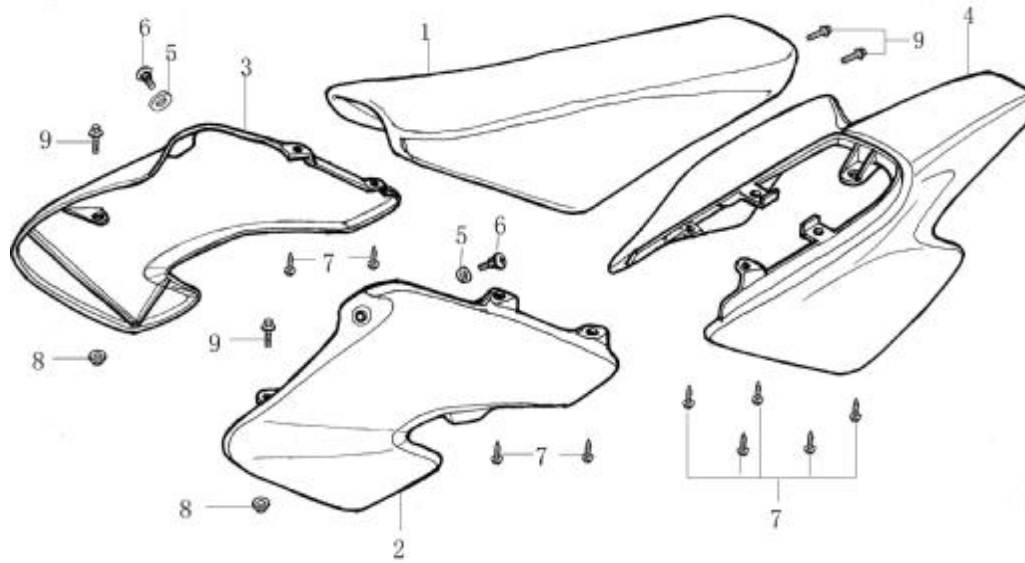


Fig.	PART NO.	DESCRIPTION	Q'TY	Fig.	PART NO.	DESCRIPTION	Q'TY
1	77200-FYFY2-000	Seat	1	4	83710-FYFY2-00B	Fender rear, Yellow	1
2	83620-FYFY2-00G	Side cover LH, Green	1	5	50126-FYG-000	Gum Washer	2
2	83620-FYFY2-00R	Side cover LH, Red	1	6	90111-FYFY2-05010	Screw	2
2	83620-FYFY2-00B	Side cover LH, Blue	1	7	GB845-85-48016-C	Screw ST4.8×16	9
2	83620-FYFY2-00Y	Side cover LH, Yellow	1	8	GB6177-86-06000-C	Nut M6	2
3	83520-FYFY2-00G	Side Cover RH, Green	1	9	GB5787-86-06012-B	Flange Bolt M6×12	4
3	83520-FYFY2-00R	Side Cover RH, Red	1				
3	83520-FYFY2-00B	Side Cover RH, Blue	1				
3	83520-FYFY2-00Y	Side Cover RH, Yellow	1				
4	83710-FYFY2-00G	Fender rear, green	1				
4	83710-FYFY2-00R	Fender rear, Red	1				
4	83710-FYFY2-00B	Fender rear, Blue	1				

F03 Air Cleaner

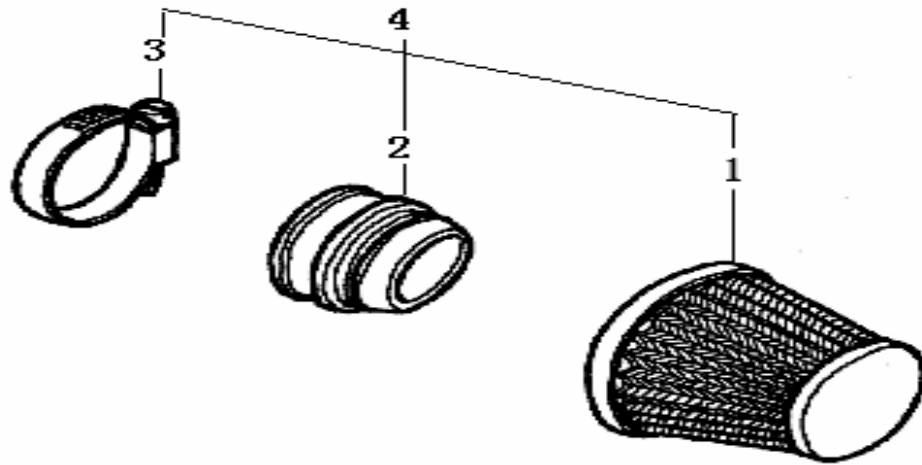


Fig.	PART NO.	DESCRIPTION	Q'TY	Fig.	PART NO.	DESCRIPTION	Q'TY
1	17211-FYFY2-000	Air Cleaner Body	1				
2	17212-FYFY2-000	Joint Pipe, Air Cleaner	1				
3	17213-FYFY2-000	Hoop	1				
4	17210-FYFY2-000	Air filter assy	1				

F04 Fuel Tank

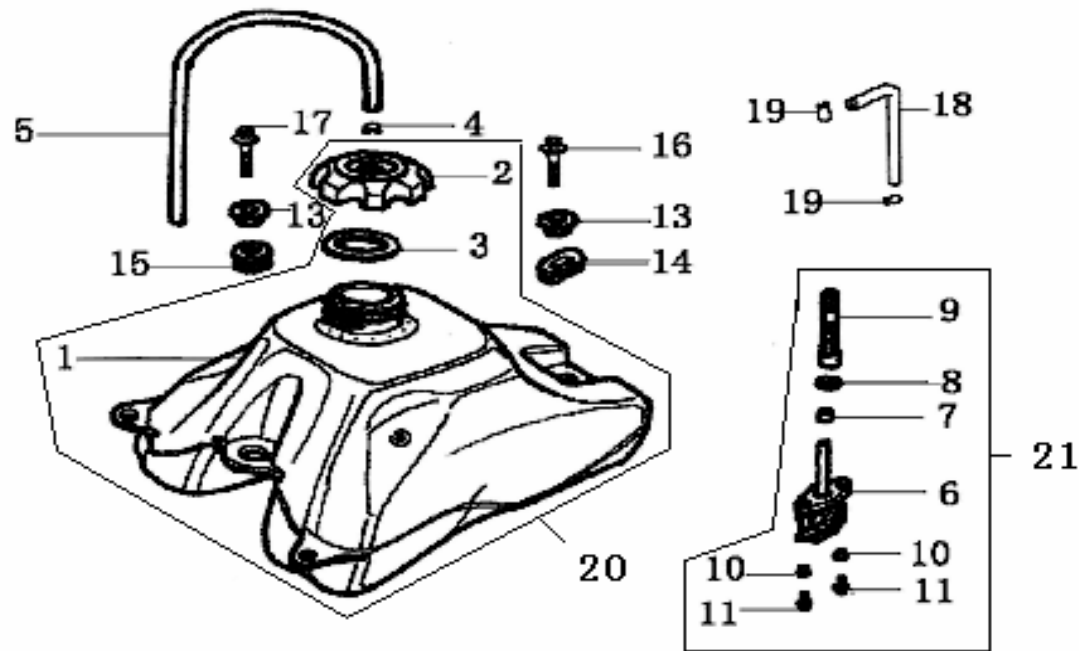


Fig.	PART NO.	DESCRIPTION	Q'TY	Fig.	PART NO.	DESCRIPTION	Q'TY
1	17501-FYFY2-000	Fuel Tank	1	11	GB5787-86-06016-C	Flange Bolt M6×16	2
2	17502-FYFY2-000	Cap, Fuel Tank	1	13	90387-081N1-00	Bush A	2
3	17503-FYFY2-000	Seal Washer	1	14	17526-FYFY2-000	Gum Bush A	1
4	91103-FYFY2-000	Clip, Pipe	1	15	17525-FYFY2-000	Gum Bush B	1
5	91102-FYFY2-000	Gum Pipe	1	16	GB5787-86-08035-C	Flange Bolt M8×35	1
6	16951-FYFY2-000	Fuel Cock	1	17	GB5787-86-08045-C	Flange Bolt M8×45	1
7	16952-FYFY2-000	Seal Washer A	1	18	91101-FYFY2-000	Fuel Pipe	1
8	16953-FYFY2-000	Seal Washer B	1	19	91102-FYFY2-000	Clip, Fuel Pipe	2
9	16954-FYFY2-000	Screen, Fuel	1	20	17500-FYFY2-000	Fuel tank assy	1
10	16955-FYFY2-000	Bush	2	21	16950-FYFY2-000	Fuel cock assy	1

F05 Handle bar - Handle lever

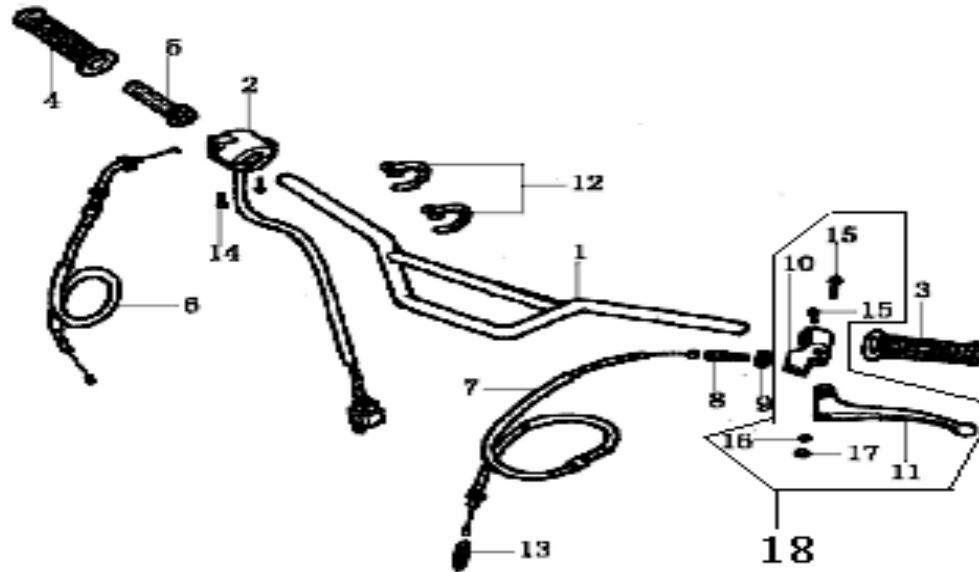


Fig.	PART NO.	DESCRIPTION	Q'TY	Fig.	PART NO.	DESCRIPTION	Q'TY
1	53100-FYFY2-000	Handle Pipe	1	12	91165-FYFY2-000	Belting	2
2	35100-FYFY2-000	R. Switch Comp. Handle	1	13	22875-FYFY2-000	Rubber Boot	1
3	53166-FYFY2-001	Grip, L. Handle	1	14	GB818-85-05020-B	Screw M5×20	2
4	53142-FYFY2-000	Grip, R. Handle	1	15	GB5787-86-06025-B	Bolt M6×25	2
5	53141-FYFY2-000	Throttle Core, R. Handle	1	16	GB93-85-06000-B	Spring Washer 6	1
6	17910-FYFY2-001	Cable, Throttle	1	17	GB6170-86-06000-B	Nut M6	1
7	22870-FYFY2-000	Cable, Clutch	1	18	53172-FYFY2-000	离合拉杆	1
8	22871-FYFY2-000	Adjusting Screw	1				
9	22872-FYFY2-000	Nut	1				
10	22873-FYFY2-000	Holder, Clutch Lever	1				
11	22874-FYFY2-000	Clutch Lever	1				

F06 Steering Column

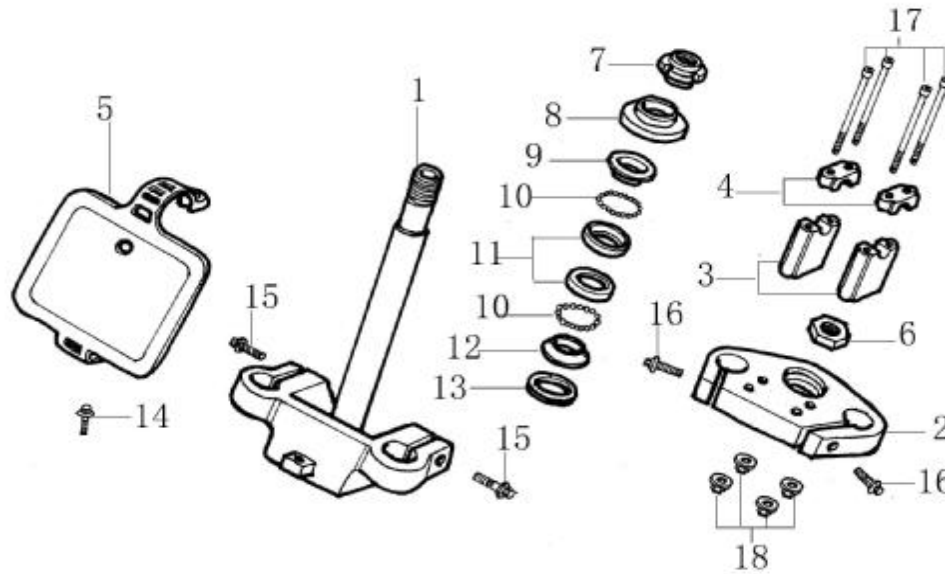


Fig.	PART NO.	DESCRIPTION	Q'TY	Fig.	PART NO.	DESCRIPTION	Q'TY
1	51000-FYFY2-000	Steering Column Comp.	1	11	53201-FYFY2-000	Ball Race	2
2	53231-FYFY2-000	Upper Panel	1	12	53212-FYFY2-000	Bottom Cone Race	1
3	53112-FYFY2-000	Lower Holder, Handle Pipe	2	13	53214-FYFY2-000	Dust Seal	1
4	53111-FYFY2-000	Upper Holder, Handle Pipe	2	14	GB5787-86-06012-C	Flange Bolt M6×12	1
5	83410-FYFY2-00G/00R/0B1/00Y	Front Cover	1	15	GB5787-86-08025-C	Flange Bolt M8×25	2
6	53221-FYFY2-000	Nut	1	16	GB5787-86-08035-C	Flange Bolt M8×35	2
7	53207-FYFY2-000	Adjusting Nut	1	17	GB70-85-08114-C	Bolt M8×110	4
8	53215-FYFY2-000	Dust Cap	1	18	GB6187-86-08000-C	Nut M8	4
9	53211-FYFY2-000	Upper Cone Race	1				
10	53210-FYFY2-000	Ball	2 Sets				

F07 Shock Absorber

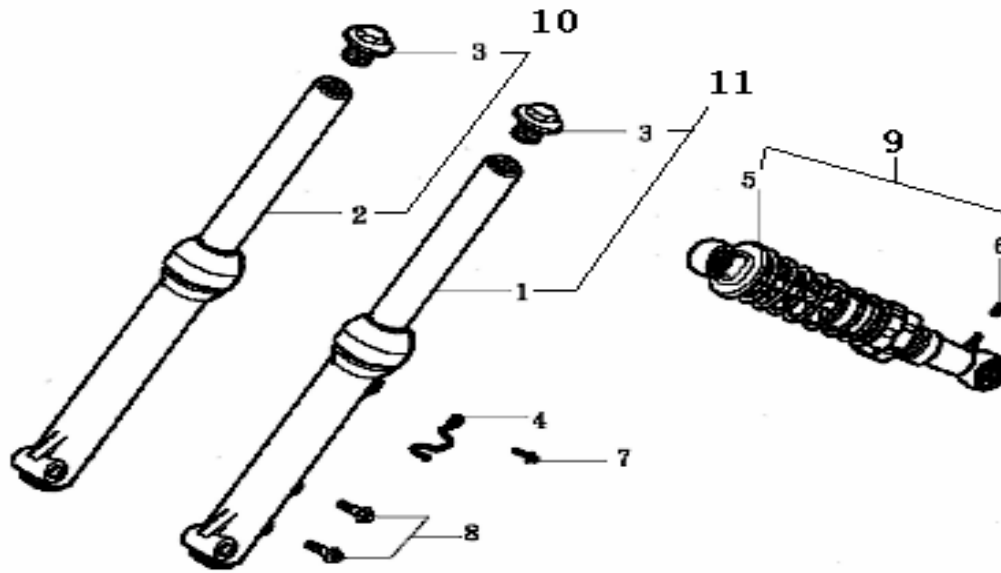


Fig.	PART NO.	DESCRIPTION	Q'TY	Fig.	PART NO.	DESCRIPTION	Q'TY
1	51510-FYFY2-000	FR. L. Shock Absorber	1	11	51500-FYFY2-000	Fork tube assy, LH	1
2	51410-FYFY2-000	FR. R. Shock Absorber	1				
3	51511-FYFY2-000	Bolt	2				
4	45101-FYFY2-000	Holder, FR. Brake Pipe	1				
5	52410-FYFY2-000	RR. Shock Absorber	1				
6	52401-FYFY2-000	Rubber Cap	1				
7	GB5787-86-06012-C	Flange Bolt M6×12	1				
8	GB5787-86-08025-C	Flange Bolt M8×25	2				
9	52400-FYFY2-000		1				
10	51400-FYFY2-000	Fork tube assy, RH	1				

F08 Front Wheel

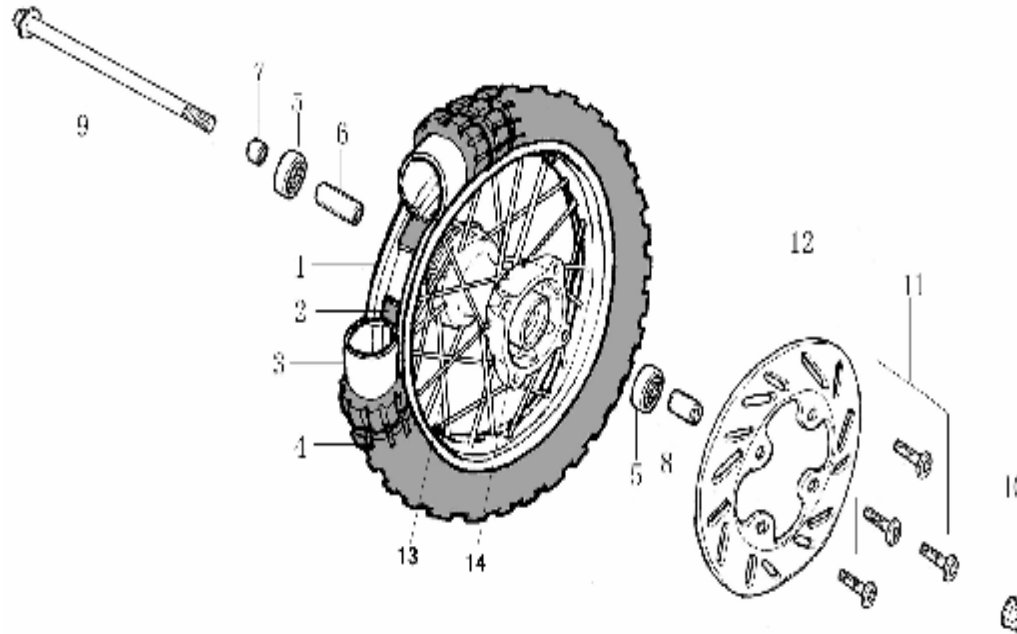


Fig.	PART NO.	DESCRIPTION	Q'TY	Fig.	PART NO.	DESCRIPTION	Q'TY
1	44651-FYFY2-000	FR. Wheel Rim 10" Comp.	1	9	44301-FYFY2-000	FR. Wheel Axle	1
1	44650-FYFY2-002	FR. Wheel Rim 12" Comp.	1	10	GB6187-86-12000-B	Grip Nut M12	1
1	44650-FYFY2-001	FR. Wheel Rim 14" Comp.	1	11	45353-FYFY2-000	Bolt	4
4	42711-FYFY2-000	Outer Tire 2.50-10		12	45351-FYFY2-000	FR. Brake Disk	1
4	42711-FYFY2-001	Outer Tire 12"	1	12	45351-FYFY2-001	FR. Brake Disk 184	1
4	44711-FYFY2-001	Outer Tire 14"		12	45351-FYFY2-100	FR. Brake Disk	1
5	44652-FYFY2-000	Bearing	2				
6	44653-FYFY2-000	Distance Collar	1				
7	44312-FYFY2-000	Bush A	1				
8	44313-FYFY2-000	Bush B	1				



F08 Front Wheel

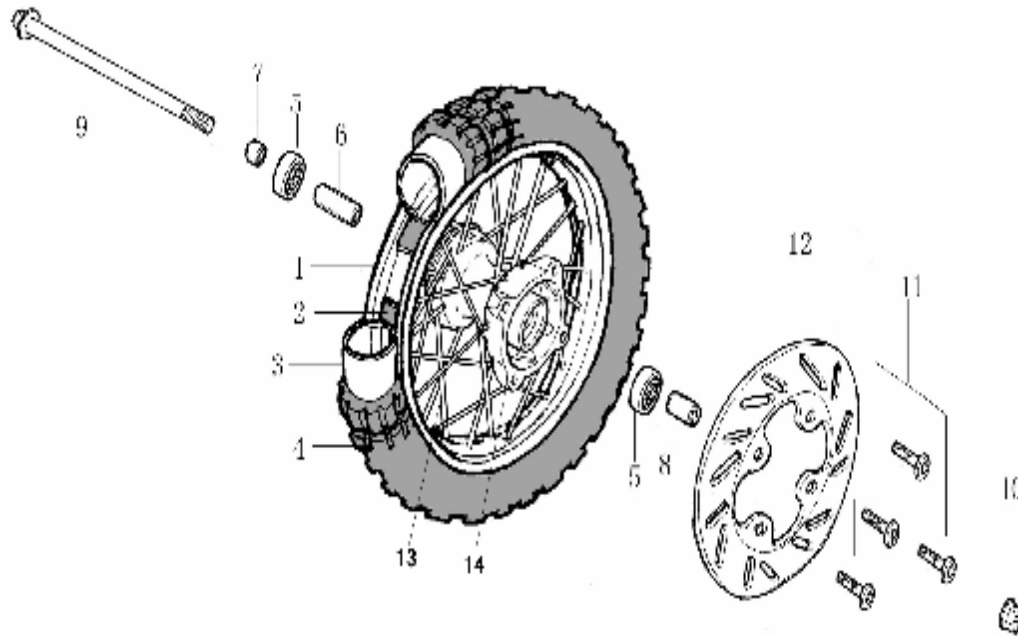


Fig.	PART NO.	DESCRIPTION	Q'TY	Fig.	PART NO.	DESCRIPTION	Q'TY
13	44613-FYFY2-000	Spoke Wires (10")	32				
13	44613-FYFY2-100	Spoke Wires (12")	32				
13	44613-FYFY2-	Spoke Wires (14")	33				
14	44612-FYFY2-000	FR. Hub	1				
		FR. RIM, CHROME 10"	1				
		FR. RIM, CHROME 12"	1				
		FR. RIM, CHROME 14"	1				

### F9 Hydraulic Brake Assy.

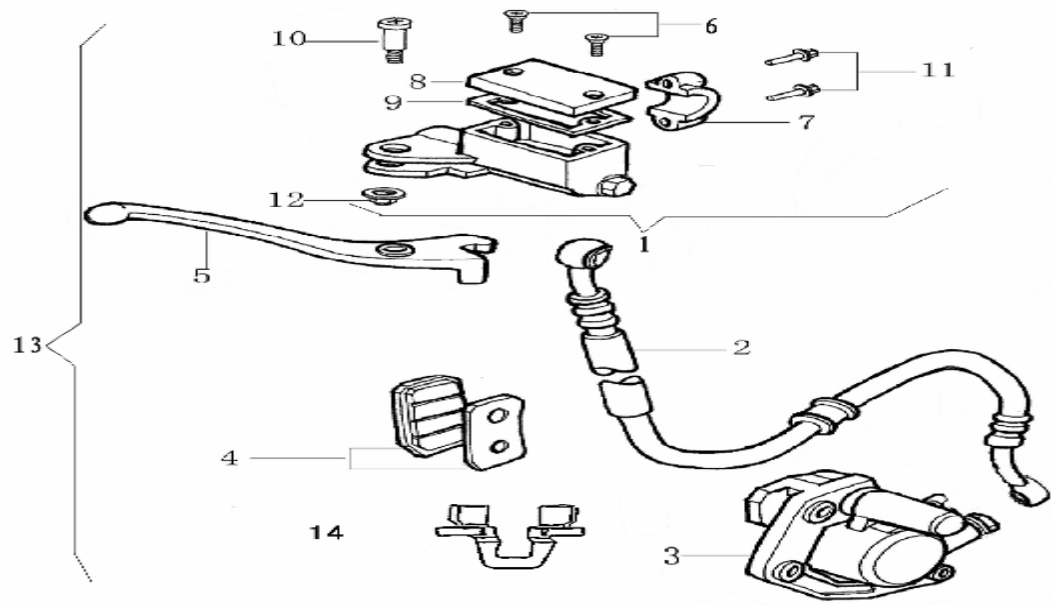


Fig.	PART NO.	DESCRIPTION	Q'TY	Fig.	PART NO.	DESCRIPTION	Q'TY
1	45101-FYFY2-001	Master Cylinder Body	1	4	45104-FYFY2-000	Friction Pad	1
2	45102-FYFY2-000	Oil Pipe 800	1	5	45105-FYFY2-000	FR. Brake Lever	1
2	45102-FYFY2-100	Oil Pipe 850	1	6	GB818-85-04014-B	Screw M4×14	2
2	45102-FYFY2-200	Oil Pipe 900	1	7	45106-FYFY2-000	Holder, Master Cylinder	1
3	45103-FYFY2-000	Brake Clamp Assy.	1	8	45107-FYFY2-000	Lid, Master Cylinder	1
3	45103-FYFY2-00S	Brake Clamp Assy.	1	9	45108-FYFY2-000	Gasket	1
3	45103-FYFY2-00B	Brake Clamp Assy.	1	10	45109-FYFY2-000	Fixing Bolt	1

### F9 Hydraulic Brake Assy.

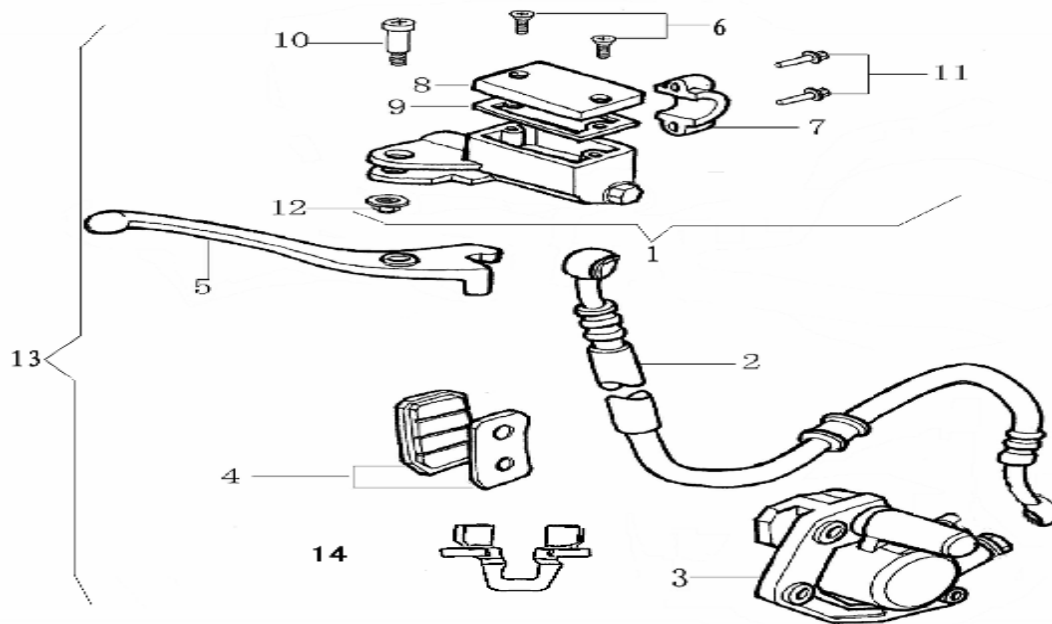


Fig.	Part No.	Description	Q'ty	Fig.	Part No.	Description	Q'ty
11	GB5787-86-06025-B	Bolt M6×25	2	13	45100-FYFY2-20A	Brake assy 900mm	1
12	GB6187-86-06000-B	Nut M6	1	13	45100-FYFY2-30B	Brake assy 850mm	1
13	45100-FYFY2-000	Brake assy 800mm	1	14	46351-FYFY2-000	Brake Pad Clip	2
13	45100-FYFY2-001	Brake assy 850mm - 12"+14"	1				
13	45100-FYFY2-100	Brake assy 800mm	1				
13	45100-FYFY2-200	Brake assy 900mm - 12"+14"	1				

F10 Rear Wheel

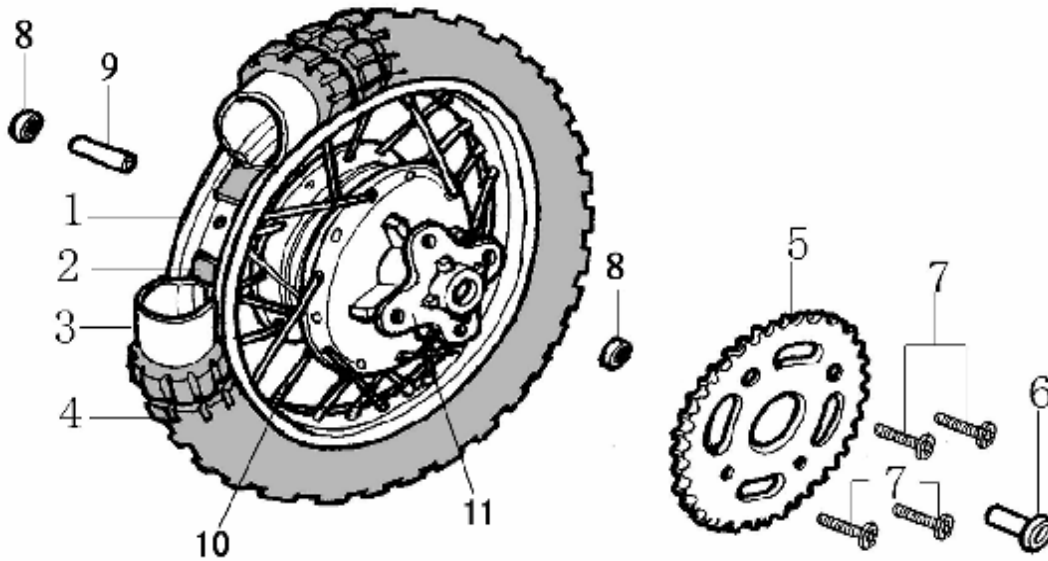


Fig.	PART NO.	DESCRIPTION	Q'TY	Fig.	PART NO.	DESCRIPTION	Q'TY
1	42650-FYFY2-000	Wheel REAR 10" Comp.	1	7	90116-FYFY2-000	Socket Head Cap Bolt	4
1	42650-FYFY2-001	Wheel REAR 12" Comp.	1	8	42653-FYFY2-000	Bearing	2
2	42713-FYFY2-000	Flap, RR. Wheel	1	9	42654-FYFY2-000	Distance Collar	1
4	42711-FYFY2-000	Outer Tire 2.50-10	1	10	42613-FYFY2-000	Spoke (10")	32
4	42711-FYFY2-001	Outer Tire 12"	1	10	42613-FYFY2-100	Spoke (12")	32
5	41201-FYFY2-000	Sprocket 420-37T	1	11	42612-FYFY2-000	Rear Hub	1
5	41201-FYFY2-002	Sprocket 428-39T	1				
6	42315-FYFY2-000	Bush	1				

F11 Rear Brake Assy.

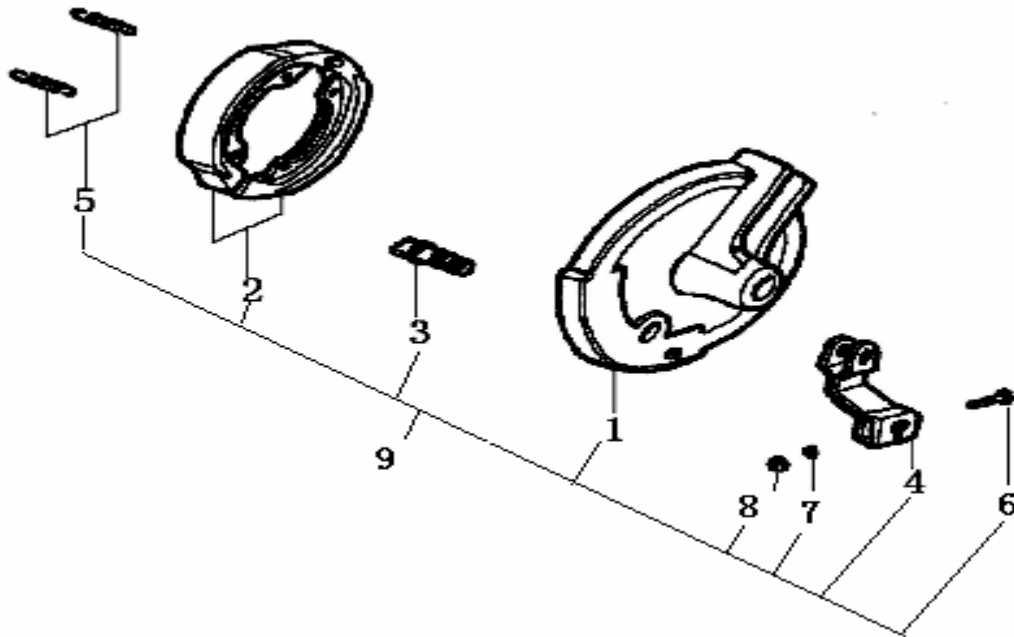


Fig.	PART NO.	DESCRIPTION	Q'TY	Fig.	PART NO.	DESCRIPTION	Q'TY
1	43103-FYFY2-000	Holder, Brake Shoes	1				
2	43102-FYFY2-000	RR. Brake Shoes	2				
3	43411-FYFY2-000	Camshaft	1				
4	43141-FYFY2-000	Arm, Camshaft	1				
5	43101-FYFY2-000	Spring	2				
6	GB5783-86-06032-B	Bolt, M6×32	1				
7	GB93-85-06000-B	Spring Washer 6	1				
8	GB6170-86-06000-B	Nut M6	1				
9	43100-FYFY2-000	Brake plate rear, assy	1				

F12 Electric Units

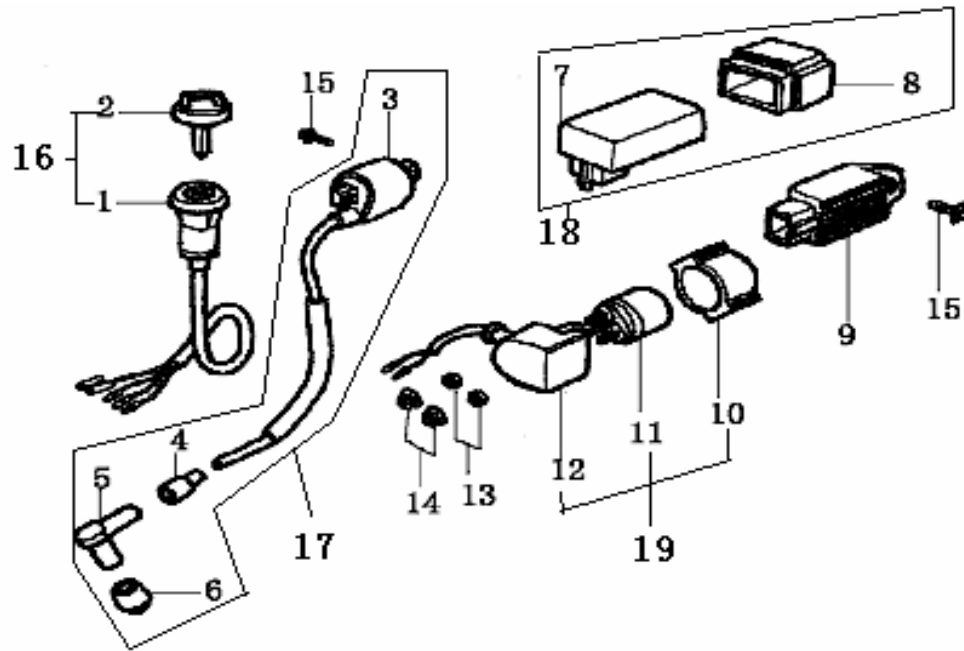


Fig.	PART NO.	DESCRIPTION	Q'TY	Fig.	PART NO.	DESCRIPTION	Q'TY
1	35002-FYFY2-000	Main Switch	1	11	35802-FYFY2-000	Starting Relay	1
2	35003-FYFY2-000	Key	2	12	35083-FYFY2-000	Cap, Starting Relay	1
3	30511-FYFY2-000	Ignition Coil	1	13	GB6170-86-06000-C	Nut M6	2
4	30512-FYFY2-000	Boot A	1	14	GB6177-86-06000-C	Nut M6	2
5	30513-FYFY2-000	Cap, Spark Plug	1	15	GB5787-86-06020-C	Flange Bolt M6×20	2
6	30514-FYFY2-000	Boot B	1	16	35001-FYFY2-000	Main switch assy	1
7	30410-FYFY2-000	C.D.I. Comp.	1	17	30510-FYFY2-000	Ignition coil assy	1
8	30411-FYFY2-000	Boot, C.D.I.	1	18	30410-FYFY2-000	C D I Box	1
9	31600-FYG-000	Voltage Regulator	1	19	35800-FYFY2-000	Starting relay	1
10	35801-FYFY2-000	Boot, Starting Relay	1				

F13 Footrest & Stand

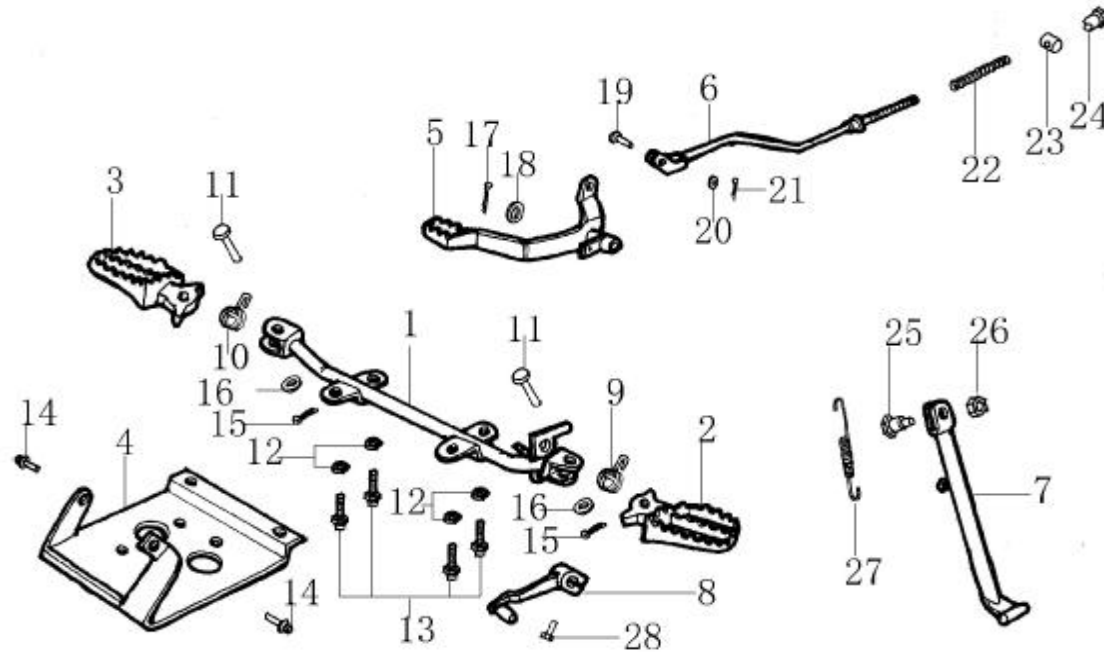


Fig.	PART NO.	DESCRIPTION	Q'TY	Fig.	PART NO.	DESCRIPTION	Q'TY
1	50610-FYFY2-000	Footrest Lever	1	11	50713-FYFY2-000	Axle Pin 8×40	2
2	50710-FYFY2-000	Left Footrest	1	12,13	GB9074.17-88-08020-C	Bolt Comp. M8×20	4
3	50720-FYFY2-000	Right Footrest	1	14	GB5787-86-06012-B	Bolt M6×12	2
4	10101-FYFY2-000	Bottom Cover, Engine	1	15	GB91-85-16016-B	Split Pin 1.5×35	2
5	43400-FYFY2-000	RR. Brake Pedal	1	16	GB97.1-85-06000-B	Washer 6	1
6	43450-FYFY2-001	RR. Brake Lever	1	17	GB91-85-32024-C	Split Pin 3×35	1
7	50530-FY-000	Side Stand	1	18	43401-FY-000	Washer	1
8	23400-FYFY2-001	Shifting Gear Pedal	1	19	43452-FYFY2-000	Axle Pin 6×16	1
9	50711-FYFY2-000	L. Spring	1	20	GB97.1-85-06000-B	Washer 6	1
10	50712-FYFY2-000	R. Spring	1	21	GB91-85-16025-C	Split Pin 1.5×25	1

F13 Footrest & Stand

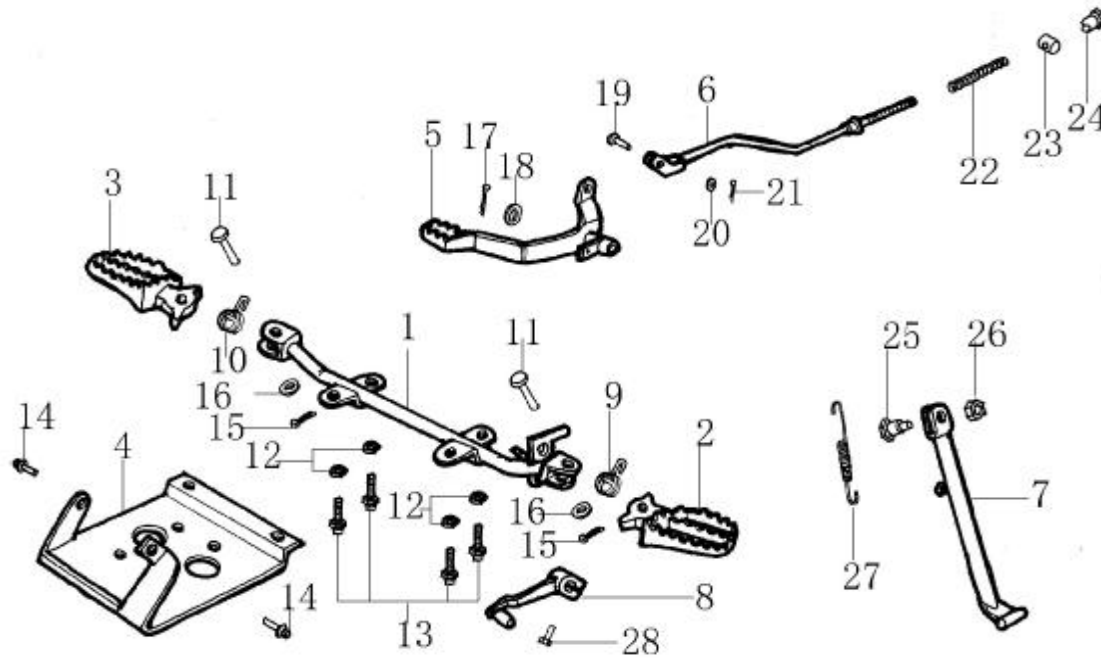


Fig.	PART NO.	DESCRIPTION	Q'TY	Fig.	PART NO.	DESCRIPTION	Q'TY
	22	43453-FYFY2-000	Spring				
	23	43454-FYFY2-000	Pin, RR. Brake Lever				
	24	43455-FYFY2-000	Adjusting Nut				
	25	90120-FY3-000	Location Bolt				
	26	GB6170-86-10000-B	Nut M10				
	27	50531-FYFY2-000	Spring				
	28	GB5787-86-06025-B	Bolt M6x25				



F14 Frame Body

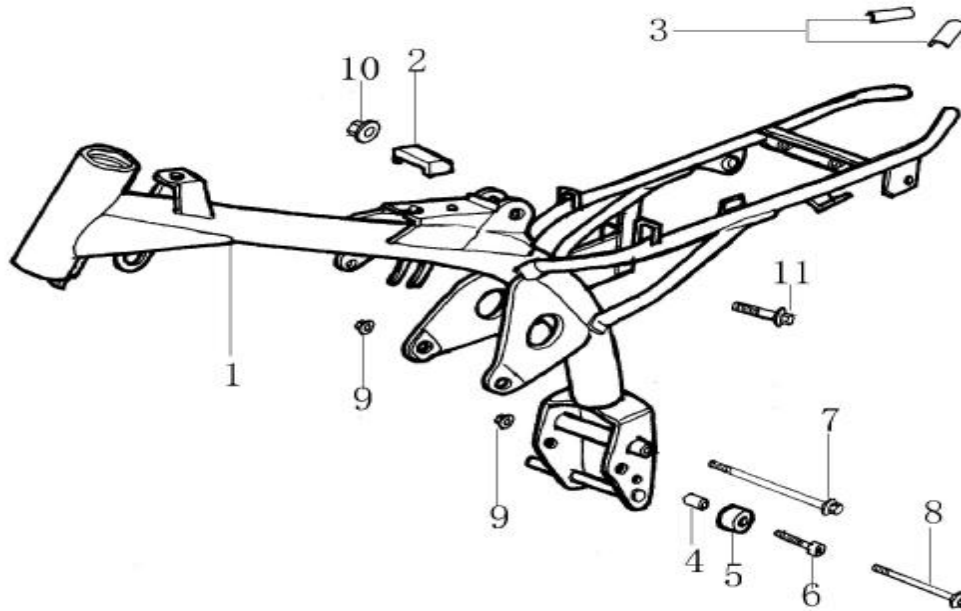


Fig.	PART NO.	DESCRIPTION	Q'TY	Fig.	PART NO.	DESCRIPTION	Q'TY
1	50100-FYFY2-000	Frame Body	1	11	GB5787-86-10040-C	Bolt M10×40	
2	17508-FYFY2-000	Cushion A	1				
3	4TE-F0002-000	Cushion B	2				
4	41204-FYFY2-000	Bush	1				
5	41202-FYFY2-000	Block Comp., Chain	1				
6	GB70-85-08055-C	Bolt M8×55	1				
7	GB5783-86-08115-C	Bolt M8×115	1				
8	GB5783-86-08110-C	Bolt M8×110	1				
9	GB6187-86-08000-C	Nut M8	2				
10	GB6187-86-10000-C	Nut M10	1				

F15 Rear Fork (2004-I)

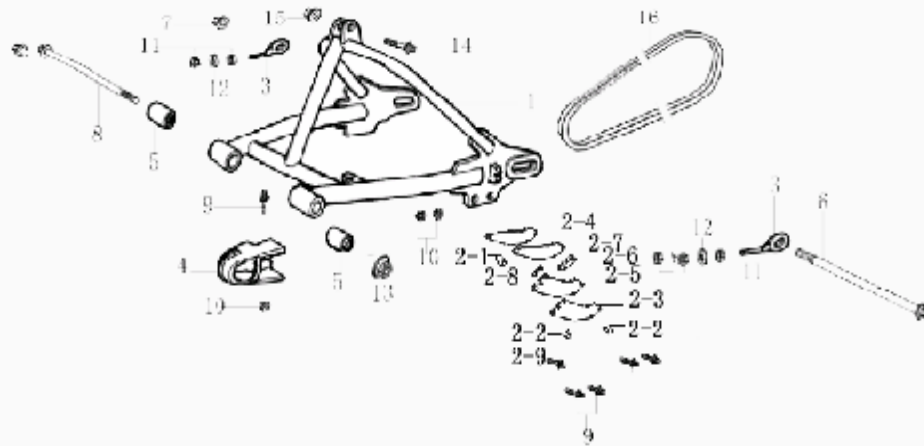


Fig.	PART NO.	DESCRIPTION	Q'TY	Fig.	PART NO.	DESCRIPTION	Q'TY
1	52100-FYFY2-000	RR. Fork	1	14	GB5787-86-10045-C	Flange Bolt M10×45	1
2	40511-FYFY2-000	Chain Guard Assy.	1	15	GB6187-86-10000-B	Grip Nut M10	1
3	40545-FYFY2-000	Chain Adjustor	2	16	GB1243.1-83-06B88	Chain	1
4	52107-FYFY2-000	Rubber Cushion	1	2-1	45012-FYFY2-000		1
5	52102-FYFY2-000	Bush	2	2-2	45013-FYFY2-000		2
6	42301-FYFY2-000	Axle, RR. Wheel	1	2-3	52109-FYFY2-000		1
7	GB6187-86-12000-B	Grip Nut M12	1	2-4	52109-FYFY2-001		1
8	90121-FYFY2-000	Axle, RR. Fork	1	2-5	52140-FYFY2-001		1
9	90111-FYFY2-06025-C	Bolt M6×25	3	2-6	52140-FYFY2-002		1
10	90109-FYFY2-000	内六角螺栓M6*50	3	2-7	52140-FYFY2-003		1
11	GB6170-86-06000-B	Nut M6	4	2-8	52142-FYFY2-000		1
12	GB97.1-85-06000-B	Washer 6	2	2-9	90108-FYFY2-000	Bolt M8*30	2
13	GB6187-86-10000-B	Grip Nut M10	1				

F15 Rear Fork (2004-II)

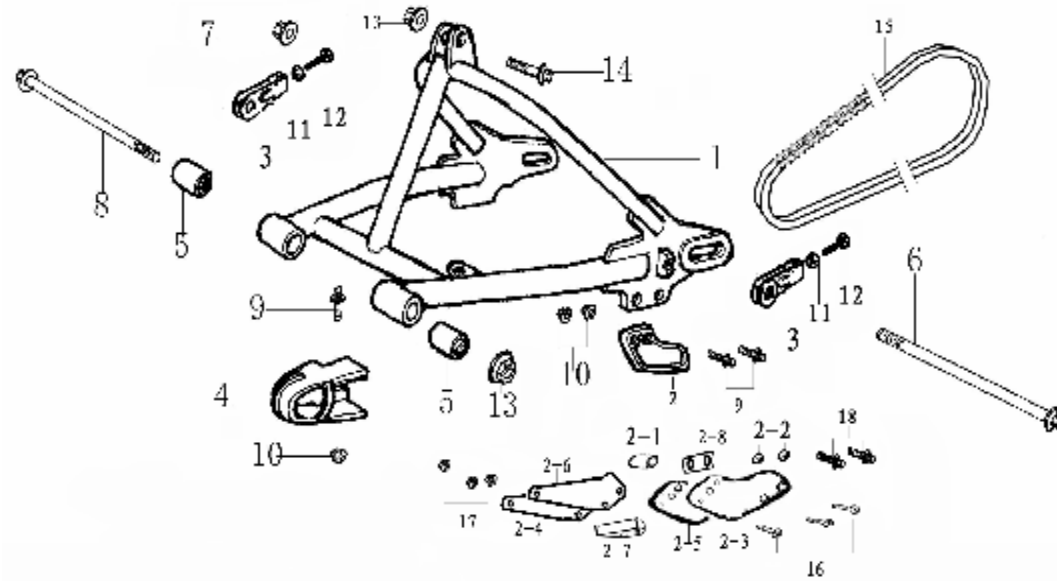


Fig.	PART NO.	DESCRIPTION	Q'TY	Fig.	PART NO.	DESCRIPTION	Q'TY
1	52100-FYFY2-000	RR. Fork	1	4	52107-FYFY2-100	Rubber Cushion	1
1	52100-FYFY2-00B	RR. Fork	1	5	52102-FYFY2-000	Bush (12.1*16.5)	2
1	52100-FYIE-000	RR. Fork	1	6	42301-FYFY2-001	Axle, RR. Wheel	1
1	52100-FYIE-00A	RR. Fork	1	7	GB6187-86-12000-B	Grip Nut M12	1
2	40511-FYFY2-000	Chain Guard Assy.	1	8	90121-FYFY2-001	Axle, RR. Fork	1
3	40543-FYFY2-000	Chain Adjustor	2	9	90113-FYFY2-000	Bolt M6x25	3
3	40543-FYIE-000	Chain Adjustor	2	10	GB6177-86-06000-C	Nut M6	6
4	52107-FYFY2-000	Rubber Cushion	1	11	GB6172-86-08000-B	Nut M8	2

F15 Rear Fork (2004-II)

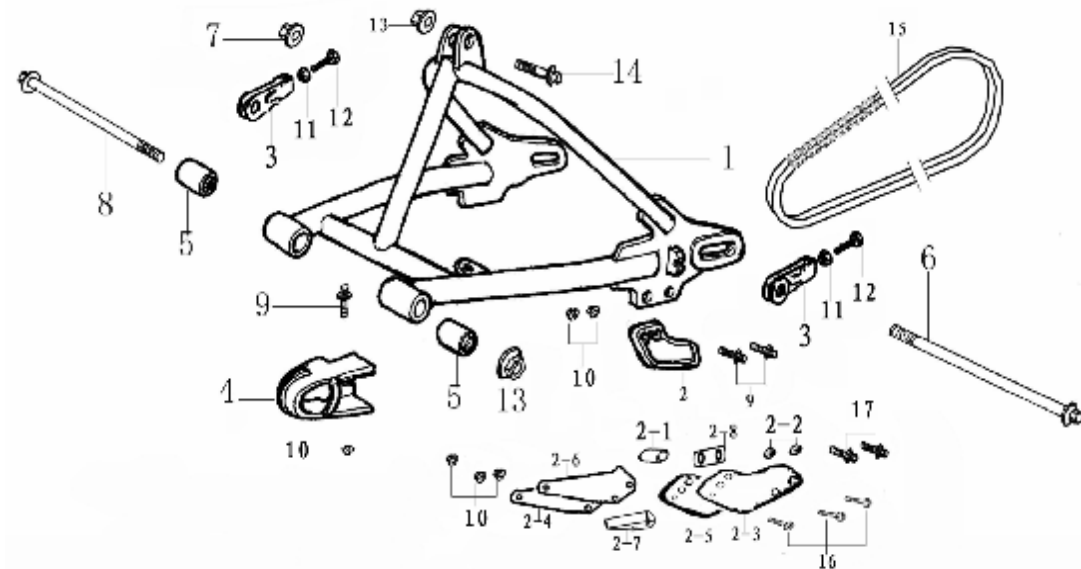


Fig.	PART NO.	DESCRIPTION	Q'TY	Fig.	PART NO.	DESCRIPTION	Q'TY
12	GB5783-86-08065-B	Bolt M8×65	2	2-3	52117-FYFY2-000	Plate A(Al)	1
13	GB6187-86-10000-B	Grip Nut M10	2	2-4	52118-FYFY2-000	Plate B(Al)	1
14	GB5787-86-10045-C	Flange Bolt M10×45	1	2-5	52141-FYFY2-000	Plate C( nylon)	1
15	GB1243.1-83-06B88	Chain 420*88	1	2-6	52143-FYFY2-000	Plate D( nylon)	1
16	90109-FYFY2-000	Nut M6*50	3	2-7	52144-FYFY2-000	Plate E( nylon)	1
17	90108-FYFY2-001	Nut M8*25	2	2-8	52142-FYFY2-100	Nut Plate	1
2-1	45012-FYFY2-000	WASHER 19.5*1.6*8.5	1				
2-2	45013-FYFY2-000	WASHER	2				

F16 Exhaust Muffler

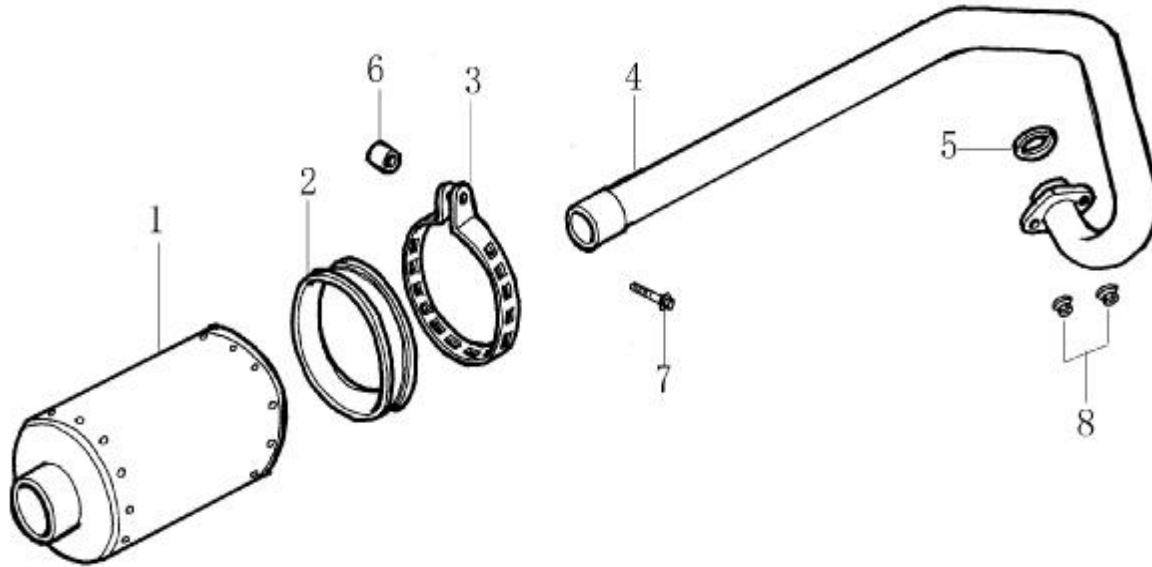


Fig.	PART NO.	DESCRIPTION	Q'TY	Fig.	PART NO.	DESCRIPTION	Q'TY
1	18201-FYFY2-000	Muffler	1				
2	18207-FYFY2-000	Ring Mat	1				
3	18208-FYFY2-000	Hoop	1				
4	18204-FYFY2-000	Exhaust Pipe	1				
5	18292-FYG-000	Seal Washer	1				
6	18206-FYFY2-000	Bush	1				
7	GB70-85-08050-C	Bolt M8×50	1				
8	GB6177-86-06000-B	Nut M6	2				

F17 Wire Harness

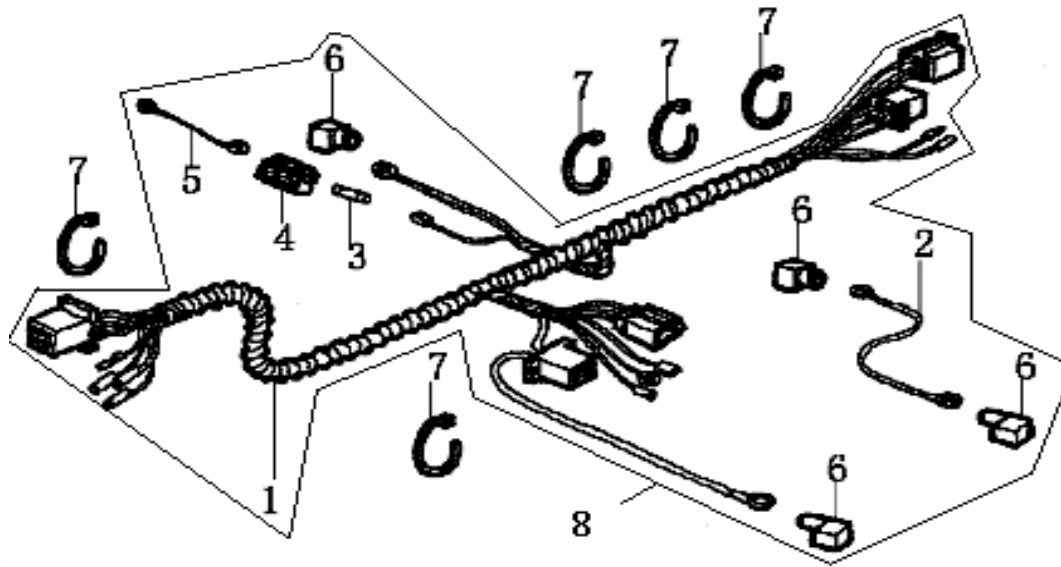


Fig.	PART NO.	DESCRIPTION	Q'TY	Fig.	PART NO.	DESCRIPTION	Q'TY
1	32121-FYFY2-000	Wire Harness	1				
2	32411-FYFY2-000	Cable Battery, Relay	1				
3	32122-FYFY2-000	Fuse	2				
4	32123-FYFY2-000	Fuse Case	1				
5	32124-FYFY2-000	Cable Battery	1				
6	32125-FYFY2-000	Boot	4				
7	91165-FYGT2-000	Band	5				
8	32120-FYFY2-000	主电缆	1				

F18 Battery

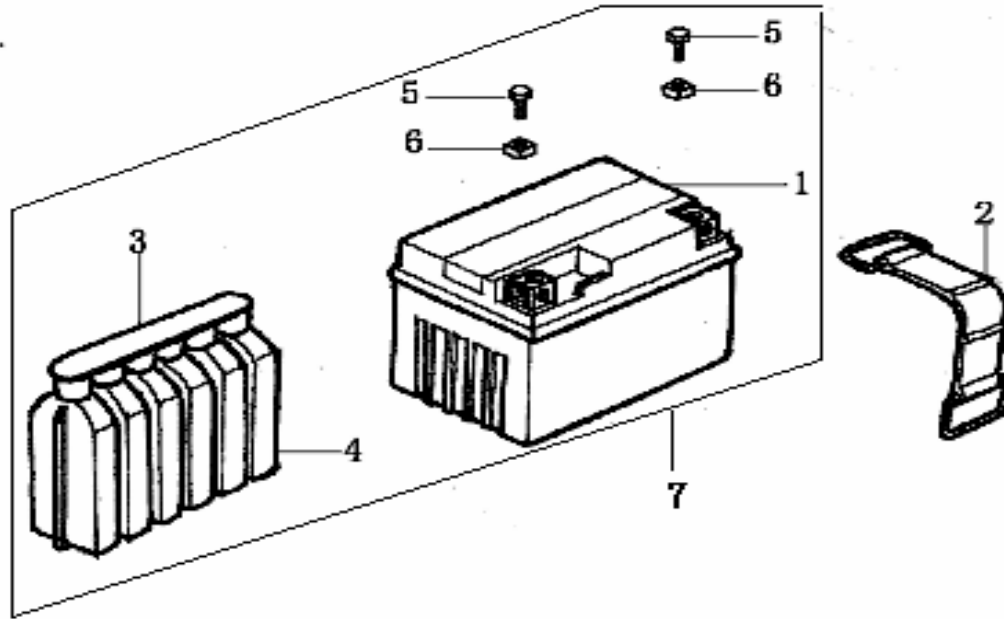


Fig.	PART NO.	DESCRIPTION	Q'TY
1	35101-FYFY2-000	Battery	1
2	95012-FY2-000	Band, Battery	1
3	35102-FYFY2-000	Seal Cap	1
4	35103-FYFY2-000	Battery Electrolyte Bottle	1
5	GB5787-86-05008-B	Bolt M5×8	2
6	35104-FYFY2-000	Nut M5	2
7	31500-FYFY-000	蓄电池	1

Fig.	PART NO.	DESCRIPTION	Q'TY
------	----------	-------------	------

F19 Kit Tools

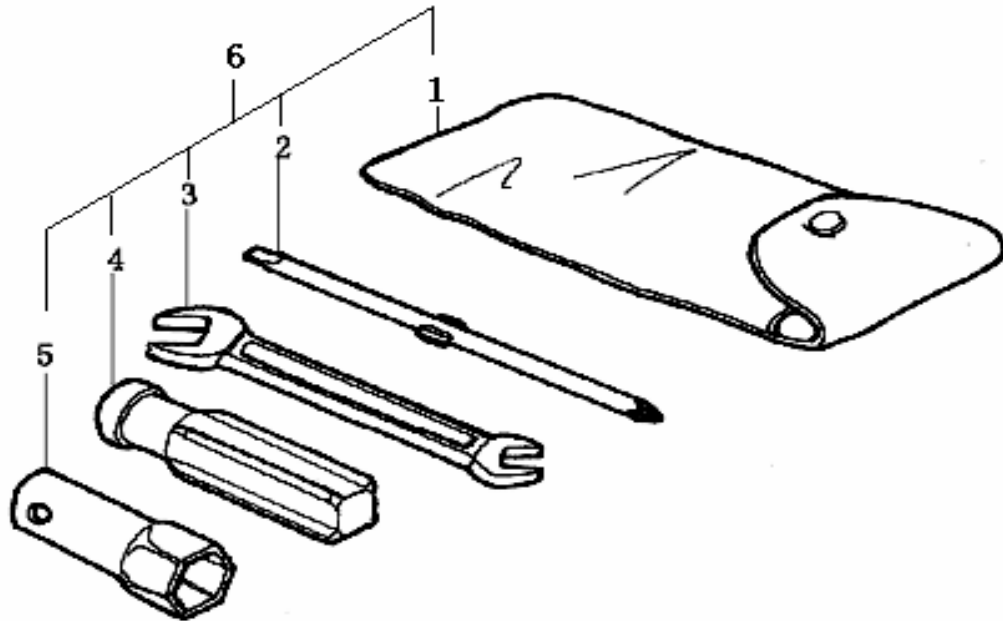


Fig.	PART NO.	DESCRIPTION	Q'TY
1	87011-FYFY2-000	Bag, Kit Tools	1
2	87012-FYFY2-000	Driver	1
3	87013-FYFY2-000	S Spanner	1
4	87014-FYFY2-000	Handle, Driver	1
5	87015-FYFY2-000	Sleeve, Spark Plug	1
6	89010-FY-000	工具包	1

Fig.	PART NO.	DESCRIPTION	Q'TY
------	----------	-------------	------



F20 Label & Emblem

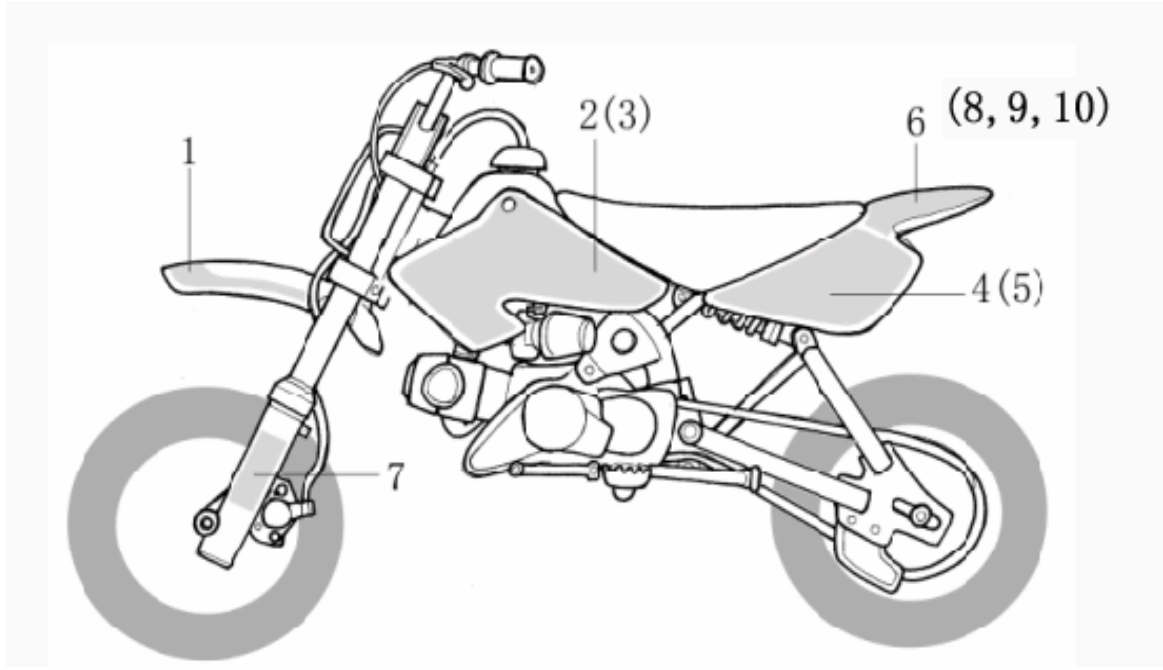


Fig.	PART NO.	DESCRIPTION	Q'TY	Fig.	PART NO.	DESCRIPTION	Q'TY
1	87537-FYFY2-000	Label, FR. Fender	1	11	87530-FYFY2-000		1
2	87532-FYFY2-000	Label, L. Side Cover	1				
3	87533-FYFY2-000	Label, R. Side Cover	1				
4	87534-FYFY2-000	L. Label, RR. Fender	1				
5	87535-FYFY2-000	R. Label, RR. Fender	1				
6	87536-FYFY2-000	RR. Label, RR. Fender	1				
7	87538-FYFY2-000	Label, FR. Shock Absorber	2				
8	87503-FYFY2-000		1				
9	87504-FYFY2-000		1				
10	87505-FYFY2-000		1				